



To:	TSSA	From:	Janet Townsend
Company:	Endress+Hauser Conducta Inc	Phone:	416-747-4291
Pages:	6	Location:	Toronto
Our File:	ANR-3119	Date:	May 29, 2014

Your File: 1375546

Subject: Request for Design Registration

Dear Ms. Francis,

CSA has reviewed the documentation submitted by TSSA on behalf of Endress+Hauser Conducta Inc. These fittings have been registered by CSA for the Province of Québec. In accordance with an agreement between CSA, the Provinces of Québec and Saskatchewan; this registration is recognized by Quebec and Saskatchewan. These fittings are acceptable for use in these Provinces.

The letters CSA will be applied as a prefix to the CRN indicate which fittings have been registered in this manner. A copy of the stamped Statutory Declaration is attached.

The CRN is CSA-0H16809.56.

The cost for this service is \$ 760.00 plus HST.

A copy of the Statutory Declaration with an original stamp affixed will be forwarded to you along with our invoice by regular mail.

Yours truly

A handwritten signature in blue ink that reads 'Janet Townsend'.

Janet Townsend

Account Manager

CSA Group

janet.townsend@csagroup.org

www.csagroup.org



TECHNICAL STANDARDS & SAFETY AUTHORITY
 14th Floor, Centre Tower
 3300 Bloor Street West
 Toronto, Ontario
 Canada M8X 2X4

Show facsimile of manufacturer's logo or trademark, as it will appear on the fitting, in the space below

Endress+Hauser
EH

STATUTORY DECLARATION
Registration of Fittings

I, MIKE YOUROSKI, QUALITY MANAGER
(Name and Position, e.g. President, Plant Manager, Chief Engineer)

of ENDRESS+HAUSER CONDUCTA INC.
(Name of Manufacturer)

Located at 4123 LA PALMA AVE., ANAHEIM, CA, USA, 92807 1-714-577-5600
(Plant Address) (Telephone No.) (Fax No.)

do solemnly declare that the fittings listed hereunder, which are subject to the **Technical Standards and Safety Act**, Boilers and Pressure Vessels Regulation, comply with all of the requirements of ASME B31.3
(Title of recognized North American Standard)

which specifies the dimensions, materials of construction, pressure/temperature ratings, identification marking the fittings and service;

or are not covered by the provisions of a recognized North American standard and are therefore manufactured to comply with _____ as supported by the attached data which identifies the dimensions, material of construction, pressure/temperature ratings and the basis for such ratings, the marking of the fitting for identification and service.

I further declare that the manufacture of these fittings is controlled by a quality system meeting the requirements of ISO 9001:2008 which has been verified by the following authority, SQS

The items covered by this declaration, for which I seek registration, are category H Fittings - PVDF CPA640 type fittings. In support of this application, the following information and/or test data are attached as follows:
DRAWING 401834, EH-CRN-3, DESIGN CALCULATIONS
(drawings, calculations, test reports, etc.)

Declared before me at _____ in the _____ of _____
 the _____ day of _____ AD 20_____.

Commissioner for Oaths:


(Printed name)
*See attached
(Signature)

Brian P. Bettle
(Signature of Declarer)

FOR OFFICE USE ONLY

To the best of my knowledge and belief, the application meets the requirements of the **Technical Standards and Safety Act**, Boilers and Pressure Vessels Regulation, and CSA Standard B51 and is accepted for registration in Category H.

CRN: CSA-0H16809.56
 Registered by: R. BARNES
 Dated: MAY 28 2014



CSA INTERNATIONAL

REGISTERED

C.R.N.: CSA-0H16809.56

Signed: R. Barnes

Date: May 28, 2014

178 Rexdale Blvd Toronto, ON M9W 1R3

NOTE: This registration expires on April 4, 2024

Jurat

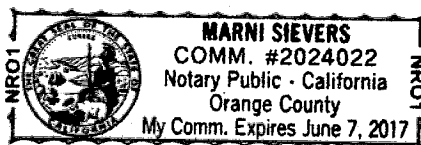
State of California

County of Orange

Subscribed and sworn to (or affirmed) before me on this 6th day of March,
2014 by Brian P. Costelloe

proved to me on the basis of satisfactory evidence to be the person(s) who appeared before me.

Marni S.
Signature (Notary seal)



OPTIONAL INFORMATION

INSTRUCTIONS FOR COMPLETING THIS FORM

Any Jurat completed in California must contain verbiage that indicates the notary public either personally knew the document signer (affiant) or that the identity was satisfactorily proven to the notary with acceptable identification in accordance with California notary law. Any jurat completed in California which does not have such verbiage must have add the wording either with a jurat stamp or with a jurat form which does include proper wording. There are no exceptions to this law for any jurat performed in California. In addition, the notary must require an oath or affirmation from the document signer regarding the truthfulness of the contents of the document. The document must be signed AFTER the oath or affirmation. If the document was previously signed, it must be re-signed in front of the notary public during the jurat process.

DESCRIPTION OF THE ATTACHED DOCUMENT


TSSA - Statutory Declaration
(Title or description of attached document)

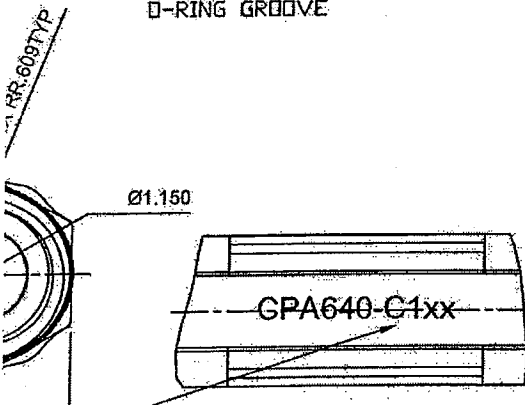
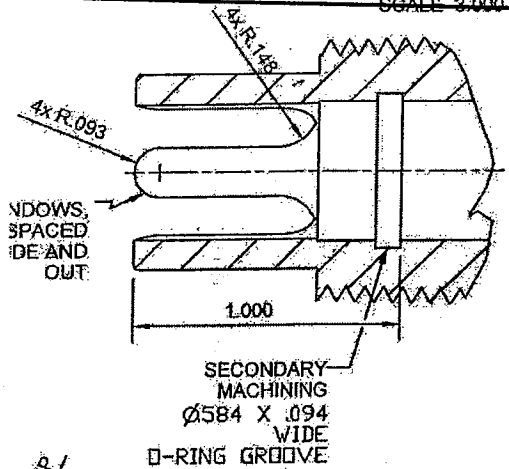
Registration of Fittings
(Title or description of attached document continued)

Number of Pages _____ Document Date _____

(Additional information)

- State and County information must be the State and County where the document signer(s) personally appeared before the notary public.
- Date of notarization must be the date that the signer(s) personally appeared which must also be the same date the jurat process is completed.
- Print the name(s) of document signer(s) who personally appear at the time of notarization.
- Signature of the notary public must match the signature on file with the office of the county clerk.
- The notary seal impression must be clear and photographically reproducible. Impression must not cover text or lines. If seal impression smudges, re-seal if a sufficient area permits, otherwise complete a different jurat form.
 - ❖ Additional information is not required but could help to ensure this jurat is not misused or attached to a different document.
 - ❖ Indicate title or type of attached document, number of pages and date.
- Securely attach this document to the signed document


CANADIAN STANDARDS ASSOCIATION
 ATTACHMENT TO
 CRN CSA-0H16809.56
 SIGNED [Signature]
 178 Rexdale Boulevard, Toronto, ON Canada M9W 1R3
 SCALE 3:000



NOTE: CP640-C1xx, 1.400" length x .005" RAISED LOCATE ON CENTERLINE AS SHOWN (OPPOSITE FROM Endress+Hauser LOGO)

3578	PLM	DR	Endress+Hauser Controls Inc. Anaheim, CA, USA	Endress+Hauser
30.1801E			Material: PVDF NATURAL	
			401834	INDEX G
			NOT TO SCALE	
			Bänennung / Title: HOUSING 12mm-3/4 PVDF ECOFIT I HOUSING GEBÄUSE 12mm-3/4 PVDF ECOFIT I GEBÄUSE	

CONNECTION DATA	
(N1)	3/4" MNPT
(N2)	3/4" MNPT
(N3)	PG13.5 ELECTRICAL
(N4)	N/A
(N5)	N/A

UNLESS OTHERWISE NOTED
 1. DIMENSIONS ARE IN INCHES. IF USED SI UNITS ARE IN () BRACKETS.
 2. TOLERANCES FRACTIONAL: +/- 1/8" DECIMALS: .XX +/- .02 .XXX +/- .005


THE INFORMATION CONTAINED IN THE DRAWING IS THE SOLE PROPERTY OF ENDRESS+HAUSER. ANY REPRODUCTION IN PART OR AS A WHOLE WITHOUT THE WRITTEN PERMISSION OF ENDRESS+HAUSER IS PROHIBITED.

Bill of Materials			
Item	Description	Material	Qty
1	SENSOR HOUSING	ASTM D3222 PVDF (POLYVINYLIDENE FLUORIDE) 2020 (KYNAR 1000, KYNAR 740)	1

- Notes:
- All dimensions are in inches. SI units if provided are in brackets.
 - Item to be cleaned of scale, oil, and all foreign matter prior to hydrostatic test.
 - Impact test exempt per
 - Reference ENDRESS+HAUSER drawing 401834 for dimensional details.
 - Reference ENDRESS+HAUSER Technical Information bulletin TI00421CEN-143 for operation specifications.
 - Design Conditions are as follows:
 - CASE 1: 145 psig at 73 F
 - CASE 2: 115 psig at 200 F



THIS IS PART OF
 CRN 0H16809.5
 Technical Standards & Safety Authority
 Boilers & Pressure Vessels
 Safety Program
 [Signature] APR 14 14

REV.	DESCRIPTION	DATE	INITIALS
Endress+Hauser  People for Process Automation			
TITLE: UNIVERSAL COMPACT ASSEMBLY			
MODEL: CPA640		WORK ORDER: N/A	
DRAWN BY: SI	CHECKED BY: RI	DRAWING SIZE: B	SCALE: 1:1
DATE: 25/3/2014	DRAWING NO.: EH-CRN-3	REV.: 0	SHEET: 1 of 2



Certificate

SQS herewith certifies that the company named below has a management system which meets the requirements of the standards specified below.

Endress+Hauser 

People for Process Automation

**Endress + Hauser Conducta
Gesellschaft für Mess-
und Regeltechnik mbH + Co. KG
70839 Gerlingen
Germany**

Certified area

Germany:

Endress+Hauser Conducta
70839 Gerlingen incl. manufacturing sites
04736 Waldheim and 64823 Groß-Umstadt

P. R. China

215021 Suzhou, Endress+Hauser Analytical Instruments Suzhou Co. Ltd.

USA

92807-1813 Anaheim, Endress+Hauser Conducta Inc.

Field of activity

Measurement technology for analysis of liquids

Standards

ISO 9001:2008

Quality Management System

ISO 14001:2004

Environmental Management System

OHSAS

Occupational Health and

18001:2007

Safety Management System

Swiss Association for Quality and
Management Systems SQS
Bernstrasse 103, CH-3052 Zollikofen
Issue date: April 1, 2014

This SQS Certificate is valid up to
and including March 31, 2017
Scope numbers 18, 19
Registration number 10705



Trusted Cert

X. Edelmann

X. Edelmann, President SQS

R. Glauser

R. Glauser, CEO SQS



SCESm 001



Swiss Made





Saskatchewan
Municipal
Government

Saskatchewan

Protection Services
330 - 1851 Victoria Avenue
Regina, Saskatchewan
S4P 3V7

787-4509

April 23, 1998

Re: Fittings Registration

The Province of Saskatchewan will be participating with Quebec, Manitoba and the Canadian Standards Association (CSA) in a pilot project for the registration of fittings. We will recognize registrations done by CSA and accept such fittings for use in Saskatchewan.

The letters CSA will be applied as a prefix to the CRN to indicate which fittings have been registered in this manner. I would appreciate if you could inform your clients of this additional marking requirement.

You may also inform your clients that fittings registered by CSA are accepted for use in Saskatchewan.

Yours truly,



N. Surtees, P. Eng.
Executive Director