



345 Carlingview Drive  
Toronto, Ontario M9W 6N9  
Tel.: 416 734 3300  
Fax: 416 231 1626  
Toll Free: 1 877 682 8772

[www.tssa.org](http://www.tssa.org)

October 03, 2017

SCOTT ISLIP  
ROUND ENGINEERING INC  
10 SEGWUN RD  
WATERDOWN ON L8B 0K6  
CA

**Service Request Type:** BPV-Fitting Registration  
**Service Request No.:** 2162158  
**Your Reference No.:** EH-CRN-27  
**Registered to:** ENDRESS + HAUSER CONDUCTA INC

Dear SCOTT ISLIP,

Technical Standards and Safety Authority (TSSA) is pleased to inform you that your submission has been reviewed and registered as follows:

**CRN No.:** 0F19698.5  
**Main Design No.:** CONDUMAX CLS16D/CLS16, Hygienic Conductivity Sensor (see attachment to the Statutory Declaration Form for full scope of registration)  
**Expiry Date:** 03-Oct-2027

Please be advised that a valid quality control system must be maintained for the fitting registration to remain valid until the expiry date.

The stamped copy of the approved registration and the invoice are mailed separately. Should you have any questions or require further assistance, please contact a Customer Service Advisor at 1.877.682.TSSA (8772) or e-mail [customerservices@tssa.org](mailto:customerservices@tssa.org). We will be happy to assist you. When contacting TSSA regarding this file, please refer to the Service Request number provided above.

Yours truly,



Mark Valcic P. Eng.  
Engineer Specialist BPV  
Tel.: 416-734-3494  
Fax: 416-231-1626  
Email: [mvalcic@tssa.org](mailto:mvalcic@tssa.org)



**TECHNICAL STANDARDS & SAFETY AUTHORITY**  
 14th Floor, Centre Tower  
 3300 Bloor Street West  
 Toronto, Ontario  
 Canada M8X 2X4

Show facsimile of manufacturer's logo or trademark, as it will appear on the fitting, in the space below

**Endress+Hauser** 

People for Process Automation

## STATUTORY DECLARATION

### Registration of Fittings

I, MIKE YOUROSKI, QUALITY MANAGER  
(Name and Position, e.g. President, Plant Manager, Chief Engineer)

of ENDRESS+HAUSER CONDUCTA INC.  
(Name of Manufacturer)

Located at 4123 LA PALMA AVE., ANAHEIM, CA, USA, 92807 1-714-577-5600  
(Plant Address) (Telephone No.) (Fax No.)

do solemnly declare that the fittings listed hereunder, which are subject to the **Technical Standards and Safety Act**, Boilers and Pressure Vessels Regulation, comply with all of the requirements of ASME B31.3, ASME B31.1

(Title of recognized North American Standard)

which specifies the dimensions, materials of construction, pressure/temperature ratings, identification marking the fittings and service;

or are not covered by the provisions of a recognized North American standard and are therefore manufactured to comply with \_\_\_\_\_ as supported by the attached data which identifies the dimensions, material of construction, pressure/temperature ratings and the basis for such ratings, the marking of the fitting for identification and service.

I further declare that the manufacture of these fittings is controlled by a quality system meeting the requirements of ISO:9001:2008 which has been verified by the following authority, SQS

The items covered by this declaration, for which I seek registration, are category F type fittings. In support of this application, the following information and/or test data are attached as follows:  
DRAWINGS, CALCULATIONS, REPORTS, SCOPE OF CRN

(drawings, calculations, test reports, etc.)

Declared before me at \_\_\_\_\_ in the \_\_\_\_\_ of \_\_\_\_\_

the \_\_\_\_\_ day of \_\_\_\_\_ AD 20\_\_\_\_. See attached acknowledgment

Commissioner for Oaths:  
 \_\_\_\_\_  
(Printed name)

\_\_\_\_\_  
(Signature)

Michael Youroski  
(Signature of Declarer)

**FOR OFFICE USE ONLY**

To the best of my knowledge and belief, the application meets the requirements of the **Technical Standards and Safety Act**, Boilers and Pressure Vessels Regulation, and CSA Standard B51 and is accepted for registration in Category (F)

CRN: OF19698.5  
 Registered by: MARK VALCIC, P.ENG  
 Dated: OCT. 3, 2017

NOTE: This registration expires on OCT. 3, 2027

Technical Standards and Safety Authority  
 Boilers and Pressure Vessels Safety Program

**REGISTERED**

C.R.N.: OF19698.5  
 Signed: [Signature]  
 Date: OCT. 3, 2017

PV 09357 (06/84) NOTE: CONDU MAX CLS16D/CLS16 HYGIENIC CONDUCTIVITY SENSOR. Mike Oct. 3/17

**ENDRESS+HAUSER CONDUCTA INC.**

4123 LA PALMA AVE.  
ANAHEIM, CA  
92807, USA

13-Sep-17

**SCOPE OF CRN REGISTRATION**

**PRODUCT DESCRIPTION**

Description	Design Standard	End Connections	Drawings	EH TI Document
CONDUMAX CLS16D/CLS16	ASME B31.3, ASME B31.1, ASME BPE, ASME VIII-1 UG-101	1", 1-1/2" and 2" ASME BPE, ISO2852, DIN 3276 Ferrule (Note 1), DN50 Varivent (Note 1), BioControl D50	414105, 414113, 134267-0002, 134267-0003, 134267-0004, 134267-0005	T100227C/07/EN/15.14

**PRESSURE - TEMPERATURE RATINGS**

MDMT	MAWP AT 68 F	MAWP AT 248 F	MAWP AT 302 F	NOTES
23F	188 psia	130 psia	87 psia	It is recommended that the sensor be subjected to sterilization at 302F for only a short time (45 minutes approximately)

**MATERIALS OF CONSTRUCTION**

PROCESS HOUSING MATERIAL (NOTE 2)	SENSOR SHELL MATERIAL	NOTES
STAINLESS STEEL 1.4435 TYPE 316L UNS S31603	POLYPHENYLENE SULFIDE PLASTIC, ASTM A479-316L, STAINLESS STEEL 1.4435 TYPE 316L, UNS S31603, ELASTOMERS	Optional process housing materials may be used. See Note 2.

**MANUFACTURING LOCATIONS**

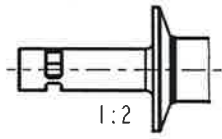
Endress+Hauser Conducta 70839 Gerlingen incl. manufacturing sites 04736 Waldheim and 64823 Gross-Umstadt, Germany	Endress+Hauser Conducta 215021 Suzhou, Endress+Hauser Analytical Instruments Suzhou Co. Ltd. P.R. China
Endress+Hauser Conducta 4123 LA Palma Ave., Anaheim, CA 92807, USA	

**Note 1)** The ASME BPE Ferrule and Varivent connection shall be used with a clamp, however the assembly clamp is not part of this CRN. Pressure-Temperature ratings may be limited by the clamp type used in the joint assembly. The clamp used to complete the joint shall have its own CRN and shall have pressure-temperature ratings the same or higher than the product ratings.

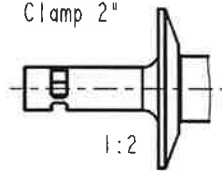
**Note 2)** The following additional alloys of superior or equivalent properties to those listed above are also included in the scope of registration: Type 304 S.Steel UNS S30400, Type 304L S.Steel UNS S30403, Type 316 S.Steel UNS S31600, Type 316L S.Steel UNS S31603, Alloy 20 UNS N08020, Hastelloy C-276 UNS N10276, Hastelloy C22 UNS N06022, Hastelloy B3 UNS N10676, Monel 400 UNS N04400 (Note Monel 400 limited to 100F max.), Inconel 600 UNS N06600, Inconel 625 UNS N06625, Inconel 825 UNS N08825, Duplex S.Steel UNS S31803, Super Duplex UNS S32750, Super Duplex UNS S32760, Titanium Grade 3 UNS R50550 (Note Titanium limited to 247F max.)



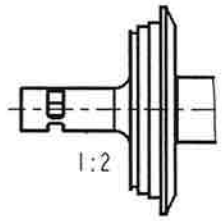
variant  
Clamp 1"  
Clamp 1.5"



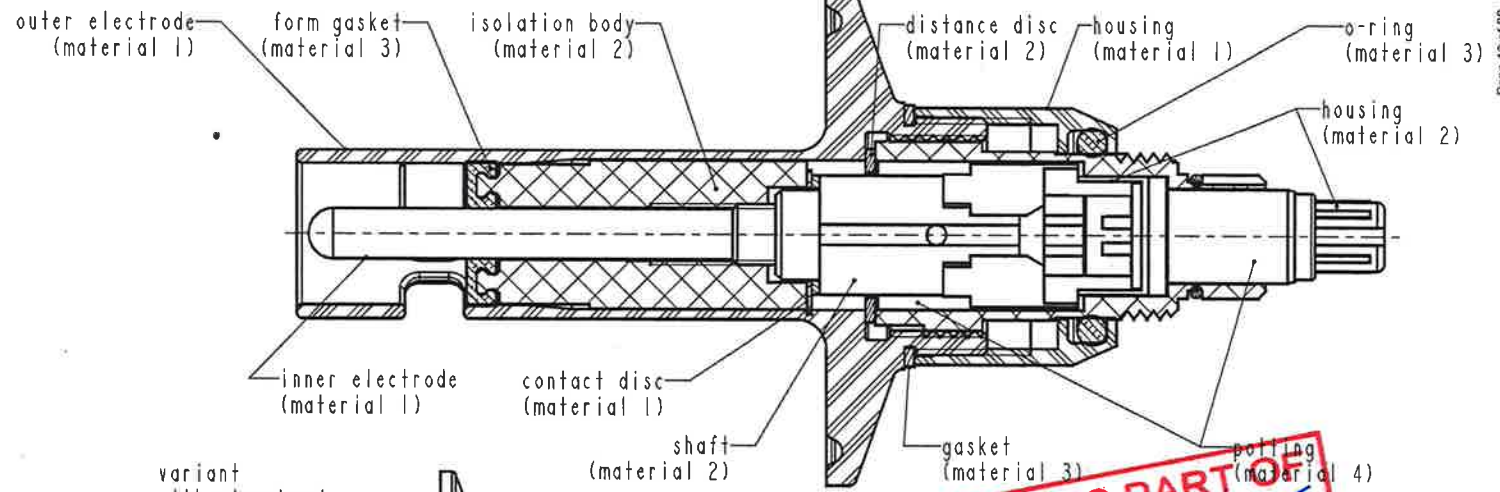
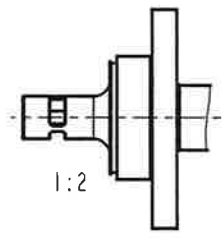
variant  
Clamp 2"



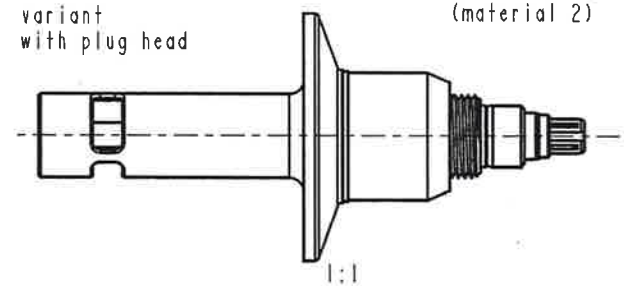
variant  
Varivent N DN50-125



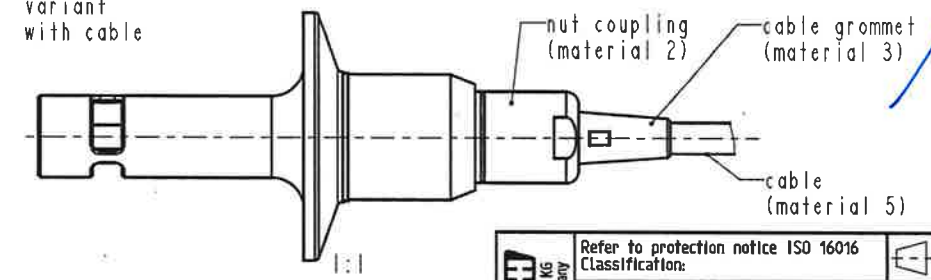
variant  
Neumo BioControl



variant  
with plug head



variant  
with cable



**THIS IS PART OF**  
**CRN OF 19698.5**  
Technical Standards & Safety Authority  
Boilers & Pressure Vessels  
Safety Program  
*Ulrich 02.3/17*

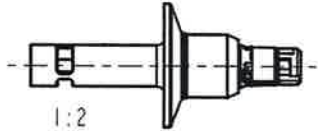
materials	
material 1	stainless steel
material 2	plastics
material 3	elastomer
material 4	epoxy encapsulant
material 5	measuring cable

ISO 9001 ISO 9004 ISO 14001 ISO 14004 ISO 19011 ISO 19011 ISO 26001 ISO 26004 ISO 27001 ISO 27004 ISO 45001 ISO 45004  
ISO 9001 ISO 9004 ISO 14001 ISO 14004 ISO 19011 ISO 19011 ISO 26001 ISO 26004 ISO 27001 ISO 27004 ISO 45001 ISO 45004  
ISO 9001 ISO 9004 ISO 14001 ISO 14004 ISO 19011 ISO 19011 ISO 26001 ISO 26004 ISO 27001 ISO 27004 ISO 45001 ISO 45004  
ISO 9001 ISO 9004 ISO 14001 ISO 14004 ISO 19011 ISO 19011 ISO 26001 ISO 26004 ISO 27001 ISO 27004 ISO 45001 ISO 45004

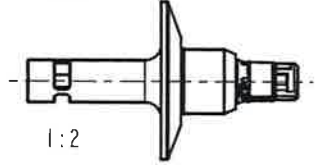
<b>Endress+Hauser</b> Endress+Hauser Conducta GmbH Co., KG Gerlingen, Germany	Refer to protection notice ISO 16016	Scale 2:1	Tolerance -
	Classification:	Notif. no.	Designed 2017-05-05 BlodwitzS
	Title	Number of changes	Welding contr.
	manufacturing drawing CLS16 CRN	0	Approval contr.
	manufacturing drawing CLS16 CRN		Pressure contr.
Project	Status Released	Released 2017-05-18 SerflingA	
Material	No. of document 414105	Version A	Doc. part -
	Weight	Volume	
	SAP material no. variabel	Format A3	Page 1 of 1



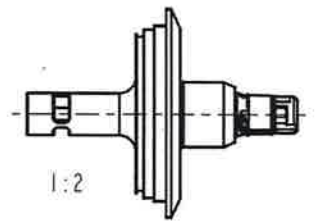
variant  
Clamp 1"  
Clamp 1,5"



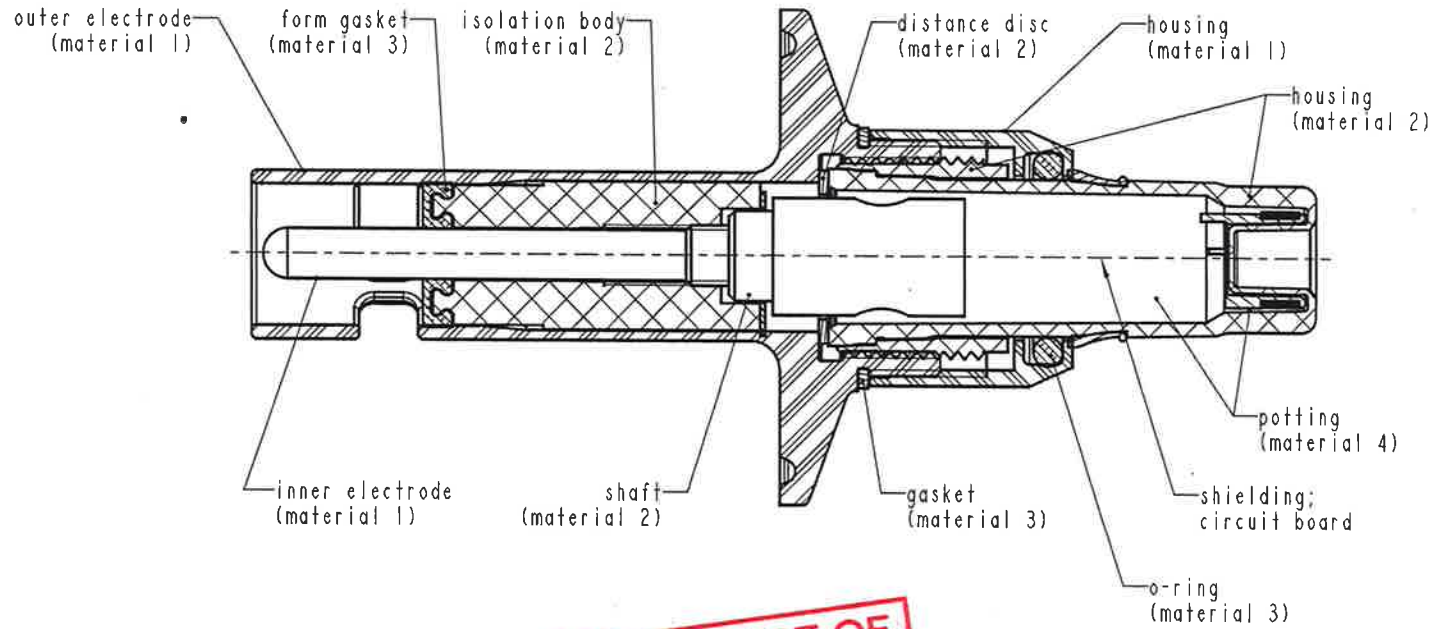
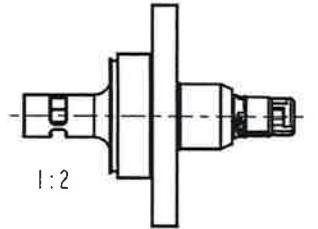
variant  
Clamp 2"



variant  
Varivent N DN50-125



variant  
Neumo BioControl



**THIS IS PART OF**  
**CRN OF 19698.5**  
Technical Standards & Safety Authority  
Boilers & Pressure Vessels  
Safety Program

*Wae Oct. 3/17*

materials	
material 1	stainless steel
material 2	plastics
material 3	elastomer
material 4	epoxy encapsulant

ISO 9001  
ISO 14001  
ISO 45001  
ISO 13485  
ISO 13495  
ISO 13496  
ISO 13497  
ISO 13498  
ISO 13499  
ISO 13500  
ISO 13501  
ISO 13502  
ISO 13503  
ISO 13504  
ISO 13505  
ISO 13506  
ISO 13507  
ISO 13508  
ISO 13509  
ISO 13510  
ISO 13511  
ISO 13512  
ISO 13513  
ISO 13514  
ISO 13515  
ISO 13516  
ISO 13517  
ISO 13518  
ISO 13519  
ISO 13520  
ISO 13521  
ISO 13522  
ISO 13523  
ISO 13524  
ISO 13525  
ISO 13526  
ISO 13527  
ISO 13528  
ISO 13529  
ISO 13530  
ISO 13531  
ISO 13532  
ISO 13533  
ISO 13534  
ISO 13535  
ISO 13536  
ISO 13537  
ISO 13538  
ISO 13539  
ISO 13540  
ISO 13541  
ISO 13542  
ISO 13543  
ISO 13544  
ISO 13545  
ISO 13546  
ISO 13547  
ISO 13548  
ISO 13549  
ISO 13550  
ISO 13551  
ISO 13552  
ISO 13553  
ISO 13554  
ISO 13555  
ISO 13556  
ISO 13557  
ISO 13558  
ISO 13559  
ISO 13560  
ISO 13561  
ISO 13562  
ISO 13563  
ISO 13564  
ISO 13565  
ISO 13566  
ISO 13567  
ISO 13568  
ISO 13569  
ISO 13570  
ISO 13571  
ISO 13572  
ISO 13573  
ISO 13574  
ISO 13575  
ISO 13576  
ISO 13577  
ISO 13578  
ISO 13579  
ISO 13580  
ISO 13581  
ISO 13582  
ISO 13583  
ISO 13584  
ISO 13585  
ISO 13586  
ISO 13587  
ISO 13588  
ISO 13589  
ISO 13590  
ISO 13591  
ISO 13592  
ISO 13593  
ISO 13594  
ISO 13595  
ISO 13596  
ISO 13597  
ISO 13598  
ISO 13599  
ISO 13600  
ISO 13601  
ISO 13602  
ISO 13603  
ISO 13604  
ISO 13605  
ISO 13606  
ISO 13607  
ISO 13608  
ISO 13609  
ISO 13610  
ISO 13611  
ISO 13612  
ISO 13613  
ISO 13614  
ISO 13615  
ISO 13616  
ISO 13617  
ISO 13618  
ISO 13619  
ISO 13620  
ISO 13621  
ISO 13622  
ISO 13623  
ISO 13624  
ISO 13625  
ISO 13626  
ISO 13627  
ISO 13628  
ISO 13629  
ISO 13630  
ISO 13631  
ISO 13632  
ISO 13633  
ISO 13634  
ISO 13635  
ISO 13636  
ISO 13637  
ISO 13638  
ISO 13639  
ISO 13640  
ISO 13641  
ISO 13642  
ISO 13643  
ISO 13644  
ISO 13645  
ISO 13646  
ISO 13647  
ISO 13648  
ISO 13649  
ISO 13650  
ISO 13651  
ISO 13652  
ISO 13653  
ISO 13654  
ISO 13655  
ISO 13656  
ISO 13657  
ISO 13658  
ISO 13659  
ISO 13660  
ISO 13661  
ISO 13662  
ISO 13663  
ISO 13664  
ISO 13665  
ISO 13666  
ISO 13667  
ISO 13668  
ISO 13669  
ISO 13670  
ISO 13671  
ISO 13672  
ISO 13673  
ISO 13674  
ISO 13675  
ISO 13676  
ISO 13677  
ISO 13678  
ISO 13679  
ISO 13680  
ISO 13681  
ISO 13682  
ISO 13683  
ISO 13684  
ISO 13685  
ISO 13686  
ISO 13687  
ISO 13688  
ISO 13689  
ISO 13690  
ISO 13691  
ISO 13692  
ISO 13693  
ISO 13694  
ISO 13695  
ISO 13696  
ISO 13697  
ISO 13698  
ISO 13699  
ISO 13700  
ISO 13701  
ISO 13702  
ISO 13703  
ISO 13704  
ISO 13705  
ISO 13706  
ISO 13707  
ISO 13708  
ISO 13709  
ISO 13710  
ISO 13711  
ISO 13712  
ISO 13713  
ISO 13714  
ISO 13715  
ISO 13716  
ISO 13717  
ISO 13718  
ISO 13719  
ISO 13720  
ISO 13721  
ISO 13722  
ISO 13723  
ISO 13724  
ISO 13725  
ISO 13726  
ISO 13727  
ISO 13728  
ISO 13729  
ISO 13730  
ISO 13731  
ISO 13732  
ISO 13733  
ISO 13734  
ISO 13735  
ISO 13736  
ISO 13737  
ISO 13738  
ISO 13739  
ISO 13740  
ISO 13741  
ISO 13742  
ISO 13743  
ISO 13744  
ISO 13745  
ISO 13746  
ISO 13747  
ISO 13748  
ISO 13749  
ISO 13750  
ISO 13751  
ISO 13752  
ISO 13753  
ISO 13754  
ISO 13755  
ISO 13756  
ISO 13757  
ISO 13758  
ISO 13759  
ISO 13760  
ISO 13761  
ISO 13762  
ISO 13763  
ISO 13764  
ISO 13765  
ISO 13766  
ISO 13767  
ISO 13768  
ISO 13769  
ISO 13770  
ISO 13771  
ISO 13772  
ISO 13773  
ISO 13774  
ISO 13775  
ISO 13776  
ISO 13777  
ISO 13778  
ISO 13779  
ISO 13780  
ISO 13781  
ISO 13782  
ISO 13783  
ISO 13784  
ISO 13785  
ISO 13786  
ISO 13787  
ISO 13788  
ISO 13789  
ISO 13790  
ISO 13791  
ISO 13792  
ISO 13793  
ISO 13794  
ISO 13795  
ISO 13796  
ISO 13797  
ISO 13798  
ISO 13799  
ISO 13800  
ISO 13801  
ISO 13802  
ISO 13803  
ISO 13804  
ISO 13805  
ISO 13806  
ISO 13807  
ISO 13808  
ISO 13809  
ISO 13810  
ISO 13811  
ISO 13812  
ISO 13813  
ISO 13814  
ISO 13815  
ISO 13816  
ISO 13817  
ISO 13818  
ISO 13819  
ISO 13820  
ISO 13821  
ISO 13822  
ISO 13823  
ISO 13824  
ISO 13825  
ISO 13826  
ISO 13827  
ISO 13828  
ISO 13829  
ISO 13830  
ISO 13831  
ISO 13832  
ISO 13833  
ISO 13834  
ISO 13835  
ISO 13836  
ISO 13837  
ISO 13838  
ISO 13839  
ISO 13840  
ISO 13841  
ISO 13842  
ISO 13843  
ISO 13844  
ISO 13845  
ISO 13846  
ISO 13847  
ISO 13848  
ISO 13849  
ISO 13850  
ISO 13851  
ISO 13852  
ISO 13853  
ISO 13854  
ISO 13855  
ISO 13856  
ISO 13857  
ISO 13858  
ISO 13859  
ISO 13860  
ISO 13861  
ISO 13862  
ISO 13863  
ISO 13864  
ISO 13865  
ISO 13866  
ISO 13867  
ISO 13868  
ISO 13869  
ISO 13870  
ISO 13871  
ISO 13872  
ISO 13873  
ISO 13874  
ISO 13875  
ISO 13876  
ISO 13877  
ISO 13878  
ISO 13879  
ISO 13880  
ISO 13881  
ISO 13882  
ISO 13883  
ISO 13884  
ISO 13885  
ISO 13886  
ISO 13887  
ISO 13888  
ISO 13889  
ISO 13890  
ISO 13891  
ISO 13892  
ISO 13893  
ISO 13894  
ISO 13895  
ISO 13896  
ISO 13897  
ISO 13898  
ISO 13899  
ISO 13900  
ISO 13901  
ISO 13902  
ISO 13903  
ISO 13904  
ISO 13905  
ISO 13906  
ISO 13907  
ISO 13908  
ISO 13909  
ISO 13910  
ISO 13911  
ISO 13912  
ISO 13913  
ISO 13914  
ISO 13915  
ISO 13916  
ISO 13917  
ISO 13918  
ISO 13919  
ISO 13920  
ISO 13921  
ISO 13922  
ISO 13923  
ISO 13924  
ISO 13925  
ISO 13926  
ISO 13927  
ISO 13928  
ISO 13929  
ISO 13930  
ISO 13931  
ISO 13932  
ISO 13933  
ISO 13934  
ISO 13935  
ISO 13936  
ISO 13937  
ISO 13938  
ISO 13939  
ISO 13940  
ISO 13941  
ISO 13942  
ISO 13943  
ISO 13944  
ISO 13945  
ISO 13946  
ISO 13947  
ISO 13948  
ISO 13949  
ISO 13950  
ISO 13951  
ISO 13952  
ISO 13953  
ISO 13954  
ISO 13955  
ISO 13956  
ISO 13957  
ISO 13958  
ISO 13959  
ISO 13960  
ISO 13961  
ISO 13962  
ISO 13963  
ISO 13964  
ISO 13965  
ISO 13966  
ISO 13967  
ISO 13968  
ISO 13969  
ISO 13970  
ISO 13971  
ISO 13972  
ISO 13973  
ISO 13974  
ISO 13975  
ISO 13976  
ISO 13977  
ISO 13978  
ISO 13979  
ISO 13980  
ISO 13981  
ISO 13982  
ISO 13983  
ISO 13984  
ISO 13985  
ISO 13986  
ISO 13987  
ISO 13988  
ISO 13989  
ISO 13990  
ISO 13991  
ISO 13992  
ISO 13993  
ISO 13994  
ISO 13995  
ISO 13996  
ISO 13997  
ISO 13998  
ISO 13999

<p><b>Endress+Hauser</b> Endress+Hauser Conducta GmbH+Co. KG Gerlingen, Germany</p>	Refer to protection notice ISO 16016 Classification:		Scale 2:1	Tolerance -
	Title manufacturing drawing CLS16D CRN		Notif. no. Designed 2017-05-05 BlochwitzS	
	Number of changes 0		Drawing chng.	
	Status Released		Welding contr. Approval contr. Pressure contr.	
No. of document 414113		Released 2017-05-18 SerflingA	Doc. part -	
Project		Weight	Volume	
Material		SAP material no. variabel	Formst A3	Page 1 of 1