



345 Carlingview Drive
Toronto, Ontario M9W 6N9
Tel: 416 734 3300
Fax: 416 231 1626
Toll Free: 1.877.682.8772

www.tssa.org

November 23, 2017

SCOTT ISLIP
ROUND ENGINEERING INC
10 SEGWUN RD
WATERDOWN ON L8B 0K6
CA

Service Request Type: BPV-Fitting Registration
Service Request No.: 2196126
Your Reference No.: R-0764
Registered to: BAUM KUNSTSTOFFE GMBH

Dear SCOTT ISLIP,

Technical Standards and Safety Authority (TSSA) is pleased to inform you that your submission has been reviewed and registered as follows:

CRN No.: 0A18088.25
Main Design No.: BAUM Class 150 Tees & Laterals - Plastic Lined (see the attachment to the Statutory Declaration Form for the scope of registration)
Expiry Date: 01-Nov-2027

Please be advised that a valid quality control system must be maintained for the fitting registration to remain valid until the expiry date.

The stamped copy of the approved registration and the invoice are mailed separately. Should you have any questions or require further assistance, please contact a Customer Service Advisor at 1.877.682.TSSA (8772) or e-mail customerservices@tssa.org. We will be happy to assist you. When contacting TSSA regarding this file, please refer to the Service Request number provided above.

Yours truly,

Mark Valcic P. Eng.
Engineer Specialist BPV
Tel.: 416-734-3494
Fax: 416-231-1626
Email: mvalcic@tssa.org



TECHNICAL STANDARDS & SAFETY AUTHORITY
 14th Floor, Centre Tower
 3300 Bloor Street West
 Toronto, Ontario
 Canada M8X 2X4

Show facsimile of manufacturer's logo or trademark, as it will appear on the fitting, in the space below



STATUTORY DECLARATION
Registration of Fittings

I, FRANK ESCHER, SALES DIRECTOR

(Name and Position, e.g. President, Plant Manager, Chief Engineer)

of BAUM KUNSTSTOFFE GmbH

(Name of Manufacturer)

Located at GewerbestraBe 25-29, 75217 Birkenfeld, Germany

(Plant Address)

49(0)7082/9436-0

(Telephone No.)

49(0)7082/9436-40

(Fax No.)

do solemnly declare that the fittings listed hereunder, which are subject to the **Technical Standards and Safety Act**, Boilers and Pressure Vessels Regulation, comply with all of the requirements of ASME B31.3

(Title of recognized North American Standard)

which specifies the dimensions, materials of construction, pressure/temperature ratings, identification marking the fittings and service;

or are not covered by the provisions of a recognized North American standard and are therefore manufactured to comply with _____ as supported by the attached data which identifies the dimensions, material of construction, pressure/temperature ratings and the basis for such ratings, the marking of the fitting for identification and service.

I further declare that the manufacture of these fittings is controlled by a quality system meeting the requirements of ISO:9001:2008 which has been verified by the following authority, TUV

The items covered by this declaration, for which I seek registration, are category CATEGORY H type fittings. In support of this application, the following information and/or test data are attached as follows:

SCOPE OF CRN, DRAWINGS, CALCULATIONS, REPORTS, WORLDWIDE LOCATIONS APPENDIX

(drawings, calculations, test reports, etc.)

Declared before me at 75175 Forstheim in the county of Baden-Württemberg
 the 30 day of May AD 2017.

Commissioner for Oaths:

von Ehr
 (Printed name)

von Ehr
 (Signature)

[Signature]
 (Signature of Declarer)

FOR OFFICE USE ONLY

To the best of my knowledge and belief, the application meets the requirements of the **Technical Standards and Safety Act**, Boilers and Pressure Vessels Regulation, and CSA Standard B51 and is accepted for registration in Category H

CRN: 0A/8088.25

Registered by: MARK VALCIC, P. ENG.

Dated: Nov. 23, 2017

NOTE: This registration expires on Nov. 23, 2027

Technical Standards and Safety Authority

Boilers and Pressure Vessels Safety Program

REGISTERED

C.R.N.: 0A/8088.25

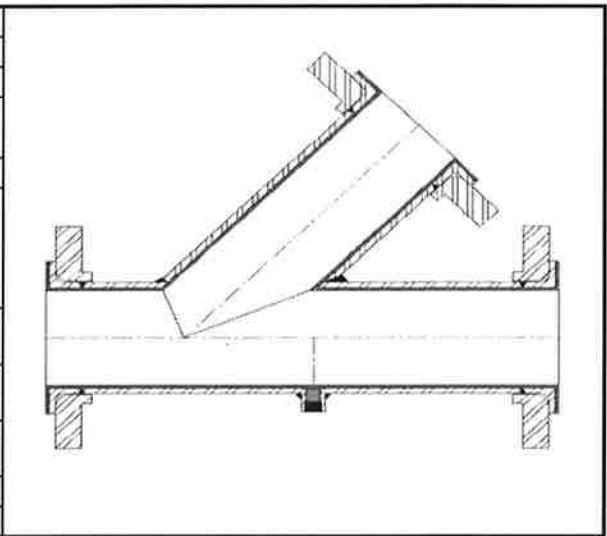
Signed: [Signature]

Date: Nov. 23, 2017

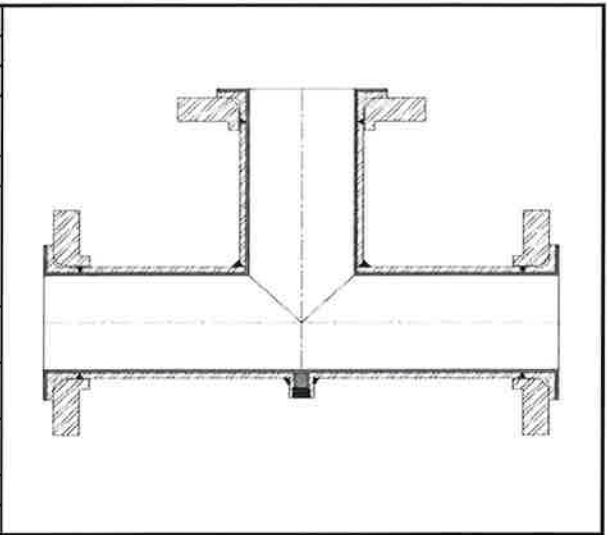


SCOPE OF CRN REGISTRATION

Product Description:	CL. 150 45 Degree Lateral - Plastic Lined
Lining:	PP, PFA, PTFE, PVDF, ETFE and others
Design Standard:	ASME B31.3, ASME VIII-1, ASTM F1545-15a
Size Range NPS:	1"x1", 1-1/2"x1-1/2", 2"x2", 3"x3", 4"x4", 6"x6", 8"x8"
End Connections:	ASME B16.5 CL 150 (Note 1,2)
Material Specifications:	ASTM A105, A53, A106-B, A587 A234-WPB, A516-60, A182-304, A182-316, A312-304, A312-316, A403-304, A403-316
Carbon Steel Pressure Rating:	285 psig at 100F, 170 psig at 500F (Note 3)
304 S.Steel Pressure Rating:	275 psig at 100F, 170 psig at 500F (Note 4)
316 S.Steel Pressure Rating:	275 psig at 100F, 170 psig at 500F (Note 5)
MDMT:	-20F
Design Report No.:	R-0764-LAT



Product Description:	CL. 150 Tee - Plastic Lined
Lining:	PP, PFA, PTFE, PVDF, ETFE and others
Design Standard:	ASME B31.3, ASME VIII-1, ASTM F1545-15a
Size Range NPS:	6"x1", 6"x1-1/2", 6"x2", 6"x3", 6"x4", 6"x6" 8"x1", 8"x1-1/2", 8"x2", 8"x3", 8"x4", 8"x6", 8"x8"
End Connections:	ASME B16.5 CL 150 (Note 1,2)
Material Specifications:	ASTM A105, A53, A106-B, A587 A234-WPB, A516-60, A182-304, A182-316, A312-304, A312-316, A403-304, A403-316
Carbon Steel Pressure Rating:	285 psig at 100F, 170 psig at 500F (Note 3)
304 S.Steel Pressure Rating:	275 psig at 100F, 170 psig at 500F (Note 4)
316 S.Steel Pressure Rating:	275 psig at 100F, 170 psig at 500F (Note 5)
MDMT:	-20F
Design Report No.:	R-0764-TEE



Note 1: ASME B16.5 lap joint, slip-on or weldneck flanges may be used.

Note 2: Flanges with a pressure class greater than class 150 Lb. may be used but in all cases the pressure-temperature ratings are limited to Class 150 Lb. ASME B16.5 pressure-temperature ratings.

Note 3: Pressure Temperature ratings in accordance with ASME B16.5 Table 1.1 Cl. 150.

Note 4: Pressure Temperature ratings in accordance with ASME B16.5 Table 2.1 Cl. 150.

Note 5: Pressure Temperature ratings in accordance with ASME B16.5 Table 2.2 Cl. 150.

Note 6: See Attached List of Manufacturing locations applicable to this CRN.

THIS IS PART OF
CRN 0A/20088.25
 Technical Standards & Safety Authority
 Boilers & Pressure Vessels
 Safety Program
W. W. W. Nov. 23/17



WORLDWIDE LOCATIONS APPENDIX

**BAUM MANUFACTURING LOCATIONS
& CERTIFYING AUTHORITIES**

(rev. May 26, 2017)

BAUM KUNSTSTOFFE GmbH
Gewerbestraße 25-29
75217 Birkenfeld
Germany
ISO 9001:2008 Certified by TUV

BAUM AMERICA CORP.
3PPSI Circle
Charleston, WV
25312, USA
ISO 9001:2008 Certified by SMITHERS QUALITY ASSESSMENTS





TECHNICAL STANDARDS & SAFETY AUTHORITY
 14th Floor, Centre Tower
 3300 Bloor Street West
 Toronto, Ontario
 Canada M8X 2X4

Show facsimile of manufacturer's logo or trademark, as it will appear on the fitting, in the space below



BAUM AMERICA CORP.

STATUTORY DECLARATION
Registration of Fittings

I, FRANK ESCHER, VICE PRESIDENT

(Name and Position, e.g. President, Plant Manager, Chief Engineer)

of BAUM AMERICA CORP.

(Name of Manufacturer)

Located at 3PPSI Circle, Charleston, WV, 25312, USA
(Plant Address)

49(0)7082/9436-0
(Telephone No.)

49(0)7082/9436-40
(Fax No.)

do solemnly declare that the fittings listed hereunder, which are subject to the **Technical Standards and Safety Act**, Boilers and Pressure Vessels Regulation, comply with all of the requirements of ASME B31.3

(Title of recognized North American Standard)

which specifies the dimensions, materials of construction, pressure/temperature ratings, identification marking the fittings and service;

or are not covered by the provisions of a recognized North American standard and are therefore manufactured to comply with _____ as supported by the attached data which identifies the dimensions, material of construction, pressure/temperature ratings and the basis for such ratings, the marking of the fitting for identification and service.

I further declare that the manufacture of these fittings is controlled by a quality system meeting the requirements of ISO:9001:2008 which has been verified by the following authority, SMITHERS

The items covered by this declaration, for which I seek registration, are category CATEGORY H type fittings. In support of this application, the following information and/or test data are attached as follows:

SCOPE OF CRN, DRAWINGS, CALCULATIONS, REPORTS, WORLDWIDE LOCATIONS APPENDIX

(drawings, calculations, test reports, etc.)

Declared before me at 75175 Pforzheim in the county of Baden-Württemberg
 the 30 day of May AD 20 17.

Commissioner for Oaths:

van Ehr
(Printed name)

van Ehr
(Signature)

[Signature]
(Signature of Declarer)

FOR OFFICE USE ONLY

To the best of my knowledge and belief, the application meets the requirements of the **Technical Standards and Safety Act**, Boilers and Pressure Vessels Regulation, and CSA Standard B51 and is accepted for registration in Category H.

CRN:

0A/8088.25

Registered by:

MARK VALCIC, P.ENG

Dated:

Nov. 23, 2017

NOTE: This registration expires on

Nov. 01, 2027

Technical Standards and Safety Authority

Boilers and Pressure Vessels Safety Program

REGISTERED

C.R.N.:

0A/8088.25

Signed:

[Signature]

Date:

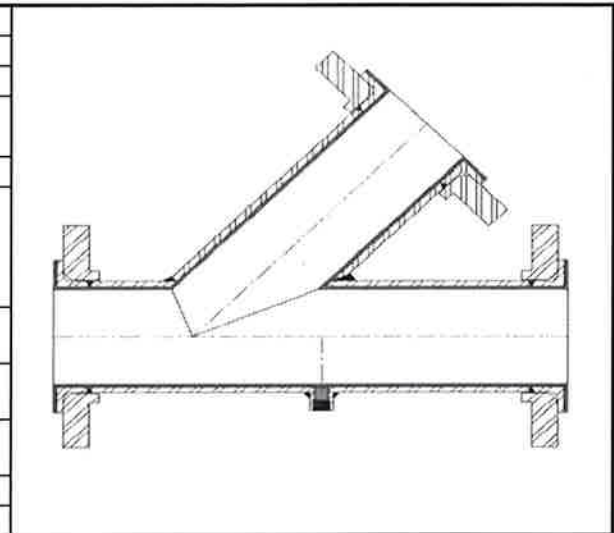
Nov. 23, 2017

NOTE: SEE THE ATTACHMENT FOR THE SCOPE OF REGISTRATION
Mark Valcic
Nov. 23/17

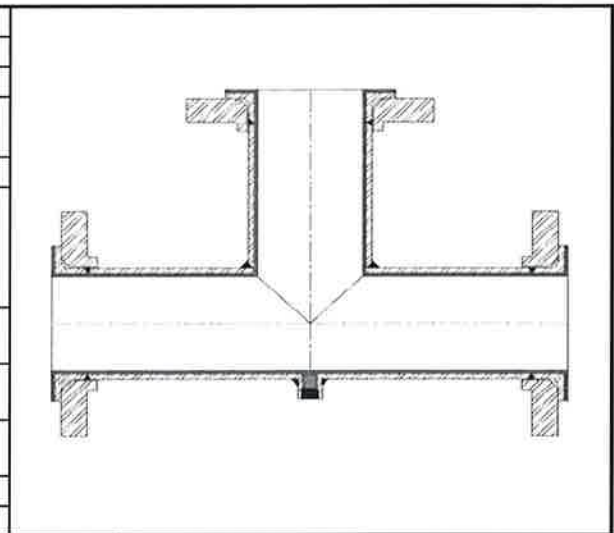


SCOPE OF CRN REGISTRATION

Product Description:	CL. 150 45 Degree Lateral - Plastic Lined
Lining:	PP, PFA, PTFE, PVDF, ETFE and others
Design Standard:	ASME B31.3, ASME VIII-1, ASTM F1545-15a
Size Range NPS:	1"x1", 1-1/2"x1-1/2", 2"x2", 3"x3", 4"x4", 6"x6", 8"x8"
End Connections:	ASME B16.5 CL 150 (Note 1,2)
Material Specifications:	ASTM A105, A53, A106-B, A587 A234-WPB, A516-60, A182-304, A182-316, A312-304, A312-316, A403-304, A403-316
Carbon Steel Pressure Rating:	285 psig at 100F, 170 psig at 500F (Note 3)
304 S.Steel Pressure Rating:	275 psig at 100F, 170 psig at 500F (Note 4)
316 S.Steel Pressure Rating:	275 psig at 100F, 170 psig at 500F (Note 5)
MDMT:	-20F
Design Report No.:	R-0764-LAT



Product Description:	CL. 150 Tee - Plastic Lined
Lining:	PP, PFA, PTFE, PVDF, ETFE and others
Design Standard:	ASME B31.3, ASME VIII-1, ASTM F1545-15a
Size Range NPS:	6"x1", 6"x1-1/2", 6"x2", 6"x3", 6"x4", 6"x6" 8"x1", 8"x1-1/2", 8"x2", 8"x3", 8"x4", 8"x6", 8"x8"
End Connections:	ASME B16.5 CL 150 (Note 1,2)
Material Specifications:	ASTM A105, A53, A106-B, A587 A234-WPB, A516-60, A182-304, A182-316, A312-304, A312-316, A403-304, A403-316
Carbon Steel Pressure Rating:	285 psig at 100F, 170 psig at 500F (Note 3)
304 S.Steel Pressure Rating:	275 psig at 100F, 170 psig at 500F (Note 4)
316 S.Steel Pressure Rating:	275 psig at 100F, 170 psig at 500F (Note 5)
MDMT:	-20F
Design Report No.:	R-0764-TEE



Note 1: ASME B16.5 lap joint, slip-on or weldneck flanges may be used.

Note 2: Flanges with a pressure class greater than class 150 Lb. may be used but in all cases the pressure-temperature ratings are limited to Class 150 Lb. ASME B16.5 pressure-temperature ratings.

Note 3: Pressure Temperature ratings in accordance with ASME B16.5 Table 1.1 Cl. 150.

Note 4: Pressure Temperature ratings in accordance with ASME B16.5 Table 2.1 Cl. 150.

Note 5: Pressure Temperature ratings in accordance with ASME B16.5 Table 2.2 Cl. 150.

Note 6: See Attached List of Manufacturing locations applicable to this CRN.

**THIS IS PART OF
 CRN 0418088.25**
 Technical Standards & Safety Authority
 Boilers & Pressure Vessels
 Safety Program

Wheeler Nov. 23/17



WORLDWIDE LOCATIONS APPENDIX

**BAUM MANUFACTURING LOCATIONS
& CERTIFYING AUTHORITIES**

(rev. May 26, 2017)

BAUM KUNSTSTOFFE GmbH
Gewerbestraße 25-29
75217 Birkenfeld
Germany
ISO 9001:2008 Certified by TUV

BAUM AMERICA CORP.
3PPSI Circle
Charleston, WV
25312, USA
ISO 9001:2008 Certified by SMITHERS QUALITY ASSESSMENTS

