

# ACI Central Inc.

20 McAulay Court, Charlottetown, PE C1A 9M7  
 P.O. Box 53, Charlottetown, PE C1A 7K1. Phone: 902-566-1975, Fax: 902-566-3133

## Recommendation to Register – Pressure Vessel Design

**To:** Muhammad Wani

**Date:** 08/26/2020

**From:** ACI Central Inc.

**Manufacturer:** Leslie Controls Inc  
 12501 Telecom Dr  
 Tampa, FL 33637  
 USA

**Manufacturer #:** PV-9791

**Subject: ACI Central Design Review**

The product described on this form has satisfied the requirements for review of pressure vessel designs established by the Directors of ACI Central at their September 1994 meeting in Moncton, New Brunswick. We recommend this design be registered in your Jurisdiction under;

**CRN: R6274.5**

| Unit Description       | Drawing Number              | Service    | Design Code           |
|------------------------|-----------------------------|------------|-----------------------|
| Heat Exchanger Housing | A68439REF rA & A68438REF rB | Non Lethal | ASME Sect VIII Div. 1 |

**Shell Side**

**Tube Side**

| MAWP @ TEMP    | MDMT @ MAWP     | MAWP @ TEMP | MDMT @ MAWP |
|----------------|-----------------|-------------|-------------|
| 75 PSI @ 320 F | - 20 F @ 75 PSI |             |             |

|  |  |
|--|--|
| Test Pressure: Hydro: 150 PSI    Pneu: | Test Pressure: Hydro:                      Pneu: |
|--|--|

| Part       | Material        | Des. t" | Act. t" | CA" | % EF | RT | PWHT | Dimensions | Notes   |
|------------|-----------------|---------|---------|-----|------|----|------|------------|---|
| Base Plate | SA 395 60-40-18 | 1.00    | 1.00    | -   | 80   |    |      | OD": 15.5" | Design Report #<br>R-0905 E300 DI<br><br>Proof Tested |
| Casing     | SA 395 60-40-18 | 0.55    | 0.55    | -   | 80   |    |      | OAL": 7.1" |   |
|            |                 |         |         |     |      |    |      | W":        |   |
|            |                 |         |         |     |      |    |      | H":        |   |
|            |                 |         |         |     |      |    |      | HS FT":    |   |


**Notes:**

- 1- The return of this form, bearing the signature and stamp of the Jurisdiction will legally establish the CRN shown on this form.
- 2- A copy of the Design bearing the CRN will be sent to the Manufacturer.
- 3- Details including service conditions will be posted on the 'Silent Inspector' Bulletin Board.
- 4- Copies of the Design and Specifications are available to ACIC Members on demand.
- 5- The form will be a permanent ACIC record.
- 6- To reduce turnaround times to a minimum fax your response to 902-566-3133.

**ACIC Log#:** 30230

**Description:** Heat Exchanger Housing, E300  
 ASME Stamp, National Board Registered

This space is for Jurisdictional stamp and signature

|   |   |
|---|---|
|                     | <p><b>NUNAVUT</b></p> <p>Boilers and<br/>Pressure Vessels Act</p> |
| <p><b>REGISTERED</b></p>  |   |
| <p>CRN <u>          R6274.5N          </u></p>  |   |
| <p>Date <u>          AUG 28 2020          </u></p>  |   |
| <p>Signed <u>          [Signature]          </u></p> <p style="text-align: center;">Chief Inspector</p> |   |
| <p>Territorial Registration Fee</p>   |   |

# ACI Central Inc.

20 McAulay Court, Charlottetown, PE C1A 9M7  
 P.O. Box 53, Charlottetown, PE C1A 7K1. Phone: 902-566-1975, Fax: 902-566-3133

## Recommendation to Register – Pressure Vessel Design

**To:** Steve Townsend

**Date:** 08/26/2020

**From:** ACI Central Inc.

**Manufacturer:** Leslie Controls Inc  
 12501 Telecom Dr  
 Tampa, FL 33637  
 USA

**Manufacturer #:** PV-9791

**Subject:** ACI Central Design Review

The product described on this form has satisfied the requirements for review of pressure vessel designs established by the Directors of ACI Central at their September 1994 meeting in Moncton, New Brunswick. We recommend this design be registered in your Jurisdiction under:

**CRN: R6274.5**

| Unit Description       | Drawing Number              | Service    | Design Code           |
|------------------------|-----------------------------|------------|-----------------------|
| Heat Exchanger Housing | A68439REF rA & A68438REF rB | Non Lethal | ASME Sect VIII Div. 1 |

| Shell Side     |                 | Tube Side   |             |
|----------------|-----------------|-------------|-------------|
| MAWP @ TEMP    | MDMT @ MAWP     | MAWP @ TEMP | MDMT @ MAWP |
| 75 PSI @ 320 F | - 20 F @ 75 PSI |             |             |

|  |  |
|--|--|
| Test Pressure: Hydro: 150 PSI    Pneu: | Test Pressure: Hydro:                      Pneu: |
|--|--|

| Part       | Material        | Des. t" | Act. t" | CA" | % EF | RT | PWHT | Dimensions | Notes   |
|------------|-----------------|---------|---------|-----|------|----|------|------------|---|
| Base Plate | SA 395 60-40-18 | 1.00    | 1.00    | -   | 80   |    |      | OD": 15.5" | Design Report #<br>R-0905 E300 DI<br><br>Proof Tested |
| Casing     | SA 395 60-40-18 | 0.55    | 0.55    | -   | 80   |    |      | OAL": 7.1" |   |
|            |                 |         |         |     |      |    |      | W":        |   |
|            |                 |         |         |     |      |    |      | H":        |   |
|            |                 |         |         |     |      |    |      | HS FT²:    |   |

**Notes:**

- 1- The return of this form, bearing the signature and stamp of the Jurisdiction will legally establish the CRN shown on this form.
- 2- A copy of the Design bearing the CRN will be sent to the Manufacturer.
- 3- Details including service conditions will be posted on the 'Silent Inspector' Bulletin Board.
- 4- Copies of the Design and Specifications are available to ACIC Members on demand.
- 5- The form will be a permanent ACIC record.
- 6- To reduce turnaround times to a minimum fax your response to 902-566-3133.

**ACIC Log#:** 30230

**Description:** Heat Exchanger Housing, E300  
 ASME Stamp, National Board Registered

This space is for Jurisdictional stamp and signature

**ACCEPTED**  
**PROVINCE OF PRINCE EDWARD ISLAND**  
**COMMUNITIES, LAND & ENVIRONMENT**

C.R.N. R6274.59  
 DATE: Aug 27/20

*[Signature]*

**INSPECTION SERVICES SECTION**  
**BOILER/PRESSURE VESSEL BRANCH**

# ACI Central Inc.

20 McAulay Court, Charlottetown, PE C1A 9M7  
 P.O. Box 53, Charlottetown, PE C1A 7K1. Phone: 902-566-1975, Fax: 902-566-3133

## Recommendation to Register – Pressure Vessel Design

**To:** Donnie Ehler

**Date:** 08/26/2020

**From:** ACI Central Inc.

**Manufacturer:** Leslie Controls Inc  
 12501 Telecom Dr  
 Tampa, FL 33637  
 USA

**Manufacturer #:** PV-9791

**Subject: ACI Central Design Review**

The product described on this form has satisfied the requirements for review of pressure vessel designs established by the Directors of ACI Central at their September 1994 meeting in Moncton, New Brunswick. We recommend this design be registered in your Jurisdiction under;

**CRN: R6274.5**

| Unit Description       | Drawing Number              | Service    | Design Code           |
|------------------------|-----------------------------|------------|-----------------------|
| Heat Exchanger Housing | A68439REF rA & A68438REF rB | Non Lethal | ASME Sect VIII Div. 1 |

**Shell Side**

**Tube Side**

| MAWP @ TEMP    | MDMT @ MAWP     | MAWP @ TEMP | MDMT @ MAWP |
|----------------|-----------------|-------------|-------------|
| 75 PSI @ 320 F | - 20 F @ 75 PSI |             |             |

|  |  |
|--|--|
| Test Pressure: Hydro: 150 PSI    Pneu: | Test Pressure: Hydro:                      Pneu: |
|--|--|

| Part       | Material        | Des. t" | Act. t" | CA" | % EF | RT | PWHT | Dimensions | Notes   |
|------------|-----------------|---------|---------|-----|------|----|------|------------|---|
| Base Plate | SA 395 60-40-18 | 1.00    | 1.00    | -   | 80   |    |      | OD": 15.5" | Design Report #<br>R-0905 E300 DI<br><br>Proof Tested |
| Casing     | SA 395 60-40-18 | 0.55    | 0.55    | -   | 80   |    |      | OAL": 7.1" |   |
|            |                 |         |         |     |      |    |      | W":        |   |
|            |                 |         |         |     |      |    |      | H":        |   |
|            |                 |         |         |     |      |    |      | HS FT":    |   |

**Notes:**

- 1- The return of this form, bearing the signature and stamp of the Jurisdiction will legally establish the CRN shown on this form.
- 2- A copy of the Design bearing the CRN will be sent to the Manufacturer.
- 3- Details including service conditions will be posted on the 'Silent Inspector' Bulletin Board.
- 4- Copies of the Design and Specifications are available to ACIC Members on demand.
- 5- The form will be a permanent ACIC record.
- 6- To reduce turnaround times to a minimum fax your response to 902-566-3133.

**ACIC Log#:** 30230

**Description:** Heat Exchanger Housing, E300  
 ASME Stamp, National Board Registered

This space is for Jurisdictional stamp and signature



Date Aug. 28/20

C.R.N. R 6274.58

Dwg. A68439REF rA + A68438REF rB

Signed Yvonne Perry

1 of 1

Part



# ACI Central Inc.

20 McAulay Court, Charlottetown, PE C1A 9M7  
 P.O. Box 53, Charlottetown, PE C1A 7K1. Phone: 902-566-1975, Fax: 902-566-3133

## Recommendation to Register – Pressure Vessel Design

**To:** Eben Creaser

**Date:** 08/26/2020

**From:** ACI Central Inc.

**Manufacturer:** Leslie Controls Inc  
 12501 Telecom Dr  
 Tampa, FL 33637  
 USA

**Manufacturer #:** PV-9791

### **Subject: ACI Central Design Review**

The product described on this form has satisfied the requirements for review of pressure vessel designs established by the Directors of ACI Central at their September 1994 meeting in Moncton, New Brunswick. We recommend this design be registered in your Jurisdiction under;

**CRN: R6274.5**

| Unit Description       | Drawing Number              | Service    | Design Code           |
|------------------------|-----------------------------|------------|-----------------------|
| Heat Exchanger Housing | A68439REF rA & A68438REF rB | Non Lethal | ASME Sect VIII Div. 1 |

| Shell Side     |                 | Tube Side   |             |
|----------------|-----------------|-------------|-------------|
| MAWP @ TEMP    | MDMT @ MAWP     | MAWP @ TEMP | MDMT @ MAWP |
| 75 PSI @ 320 F | - 20 F @ 75 PSI |             |             |

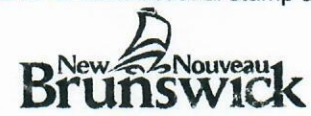
|                               |       |                       |       |
|-------------------------------|-------|-----------------------|-------|
| Test Pressure: Hydro: 150 PSI | Pneu: | Test Pressure: Hydro: | Pneu: |
|-------------------------------|-------|-----------------------|-------|

| Part       | Material        | Des. t" | Act. t" | CA" | % EF | RT | PWHT | Dimensions           | Notes   |
|------------|-----------------|---------|---------|-----|------|----|------|----------------------|---|
| Base Plate | SA 395 60-40-18 | 1.00    | 1.00    | -   | 80   |    |      | OD": 15.5"           | Design Report #<br>R-0905 E300 DI<br><br>Proof Tested |
| Casing     | SA 395 60-40-18 | 0.55    | 0.55    | -   | 80   |    |      | OAL": 7.1"           |   |
|            |                 |         |         |     |      |    |      | W":                  |   |
|            |                 |         |         |     |      |    |      | H":                  |   |
|            |                 |         |         |     |      |    |      | HS FT <sup>2</sup> : |   |

- Notes:**
- 1- The return of this form, bearing the signature and stamp of the Jurisdiction will legally establish the CRN shown on this form.
  - 2- A copy of the Design bearing the CRN will be sent to the Manufacturer.
  - 3- Details including service conditions will be posted on the 'Silent Inspector' Bulletin Board.
  - 4- Copies of the Design and Specifications are available to ACIC Members on demand.
  - 5- The form will be a permanent ACIC record.
  - 6- To reduce turnaround times to a minimum fax your response to 902-566-3133.

**ACIC Log#:** 30230  
**Description:** Heat Exchanger Housing, E300  
 ASME Stamp, National Board Registered

This space is for Jurisdictional stamp and signature



DEPT OF JUSTICE PUBLIC SAFETY  
 BOILER & PRESSURE VESSEL ACT

REGISTRATION ONLY  
 CRN R6274.57

*Eben Creaser*  
 CHIEF BOILER INSPECTOR

DATE 8/28/20

BLRs     PVs

FITTINGS     NUCLEAR COMPONENTS

# ACI Central Inc.

20 McAulay Court, Charlottetown, PE C1A 9M7  
 P.O. Box 53, Charlottetown, PE C1A 7K1. Phone: 902-566-1975, Fax: 902-566-3133

## Recommendation to Register – Pressure Vessel Design

To: Stephen Higdon

Date: 08/26/2020

From: ACI Central Inc.

Manufacturer: Leslie Controls Inc  
 12501 Telecom Dr  
 Tampa, FL 33637  
 USA

Manufacturer #: PV-9791

**Subject: ACI Central Design Review**

The product described on this form has satisfied the requirements for review of pressure vessel designs established by the Directors of ACI Central at their September 1994 meeting in Moncton, New Brunswick. We recommend this design be registered in your Jurisdiction under;

**CRN: R6274.5**

| Unit Description       | Drawing Number              | Service    | Design Code           |
|------------------------|-----------------------------|------------|-----------------------|
| Heat Exchanger Housing | A68439REF rA & A68438REF rB | Non Lethal | ASME Sect VIII Div. 1 |

| Shell Side     |                 | Tube Side   |             |
|----------------|-----------------|-------------|-------------|
| MAWP @ TEMP    | MDMT @ MAWP     | MAWP @ TEMP | MDMT @ MAWP |
| 75 PSI @ 320 F | - 20 F @ 75 PSI |             |             |

|  |  |
|--|--|
| Test Pressure: Hydro: 150 PSI    Pneu: | Test Pressure: Hydro:                      Pneu: |
|--|--|

| Part       | Material        | Des. t" | Act. t" | CA" | % EF | RT | PWHT | Dimensions | Notes   |
|------------|-----------------|---------|---------|-----|------|----|------|------------|---|
| Base Plate | SA 395 60-40-18 | 1.00    | 1.00    | -   | 80   |    |      | OD": 15.5" | Design Report #<br>R-0905 E300 DI<br><br>Proof Tested |
| Casing     | SA 395 60-40-18 | 0.55    | 0.55    | -   | 80   |    |      | OAL": 7.1" |   |
|            |                 |         |         |     |      |    |      | W":        |   |
|            |                 |         |         |     |      |    |      | H":        |   |
|            |                 |         |         |     |      |    |      | HS FT²:    |   |


**Notes:**

- 1- The return of this form, bearing the signature and stamp of the Jurisdiction will legally establish the CRN shown on this form.
- 2- A copy of the Design bearing the CRN will be sent to the Manufacturer.
- 3- Details including service conditions will be posted on the 'Silent Inspector' Bulletin Board.
- 4- Copies of the Design and Specifications are available to ACIC Members on demand.
- 5- The form will be a permanent ACIC record.
- 6- To reduce turnaround times to a minimum fax your response to 902-566-3133.

ACIC Log#: 30230

Description: Heat Exchanger Housing, E300  
 ASME Stamp, National Board Registered

This space is for Jurisdictional stamp and signature

  
**Newfoundland  
 Labrador**  
**Service NL**  
 Registered R6274.50  
 Date 02 SEP 2020  
 Engineering and Inspection Services  
 Registered by SHigdon  
 UNDER THE AUTHORITY OF THE  
 PUBLIC SAFETY ACT AND  
 THE BOILER, PRESSURE VESSEL AND  
 COMPRESSED GAS REGULATIONS

# ACI Central Inc.

20 McAulay Court, Charlottetown, PE C1A 9M7  
 P.O. Box 53, Charlottetown, PE C1A 7K1. Phone: 902-566-1975, Fax: 902-566-3133

## Recommendation to Register – Pressure Vessel Design

**To:** Blair Rawlings

**Date:** 08/26/2020

**From:** ACI Central Inc.

**Manufacturer:** Leslie Controls Inc  
 12501 Telecom Dr  
 Tampa, FL 33637  
 USA

**Manufacturer #:** PV-9791

**Subject:** ACI Central Design Review

The product described on this form has satisfied the requirements for review of pressure vessel designs established by the Directors of ACI Central at their September 1994 meeting in Moncton, New Brunswick. We recommend this design be registered in your Jurisdiction under;

**CRN: R6274.5**

| Unit Description       | Drawing Number              | Service    | Design Code           |
|------------------------|-----------------------------|------------|-----------------------|
| Heat Exchanger Housing | A68439REF rA & A68438REF rB | Non Lethal | ASME Sect VIII Div. 1 |

| Shell Side     |                 | Tube Side   |             |
|----------------|-----------------|-------------|-------------|
| MAWP @ TEMP    | MDMT @ MAWP     | MAWP @ TEMP | MDMT @ MAWP |
| 75 PSI @ 320 F | - 20 F @ 75 PSI |             |             |

|  |  |
|--|--|
| Test Pressure: Hydro: 150 PSI    Pneu: | Test Pressure: Hydro:                      Pneu: |
|--|--|

| Part       | Material        | Des. t" | Act. t" | CA" | % EF | RT | PWHT | Dimensions | Notes   |
|------------|-----------------|---------|---------|-----|------|----|------|------------|---|
| Base Plate | SA 395 60-40-18 | 1.00    | 1.00    | -   | 80   |    |      | OD": 15.5" | Design Report #<br>R-0905 E300 DI<br><br>Proof Tested |
| Casing     | SA 395 60-40-18 | 0.55    | 0.55    | -   | 80   |    |      | OAL": 7.1" |   |
|            |                 |         |         |     |      |    |      | W":        |   |
|            |                 |         |         |     |      |    |      | H":        |   |
|            |                 |         |         |     |      |    |      | HS FT":    |   |

**Notes:**

- 1- The return of this form, bearing the signature and stamp of the Jurisdiction will legally establish the CRN shown on this form.
- 2- A copy of the Design bearing the CRN will be sent to the Manufacturer.
- 3- Details including service conditions will be posted on the 'Silent Inspector' Bulletin Board.
- 4- Copies of the Design and Specifications are available to ACIC Members on demand.
- 5- The form will be a permanent ACIC record.
- 6- To reduce turnaround times to a minimum fax your response to 902-566-3133.

**ACIC Log#:** 30230

**Description:** Heat Exchanger Housing, E300  
 ASME Stamp, National Board Registered

This space is for Jurisdictional stamp and signature

BY *[Signature]*  
 CRN         R6274.5Y          
 DATE     08/28/2020

# ACI Central Inc.

20 McAulay Court, Charlottetown, PE C1A 9M7  
 P.O. Box 53, Charlottetown, PE C1A 7K1. Phone: 902-566-1975, Fax: 902-566-3133

## Recommendation to Register – Pressure Vessel Design

**To:** Matthias Mallman

**Date:** 08/26/2020

**From:** ACI Central Inc.

**Manufacturer:** Leslie Controls Inc  
 12501 Telecom Dr  
 Tampa, FL 33637  
 USA

**Manufacturer #:** PV-9791

**Subject:** ACI Central Design Review

The product described on this form has satisfied the requirements for review of pressure vessel designs established by the Directors of ACI Central at their September 1994 meeting in Moncton, New Brunswick. We recommend this design be registered in your Jurisdiction under;

**CRN: R6274.5**

| Unit Description       | Drawing Number              | Service    | Design Code           |
|------------------------|-----------------------------|------------|-----------------------|
| Heat Exchanger Housing | A68439REF rA & A68438REF rB | Non Lethal | ASME Sect VIII Div. 1 |

| Shell Side     |                 | Tube Side   |             |
|----------------|-----------------|-------------|-------------|
| MAWP @ TEMP    | MDMT @ MAWP     | MAWP @ TEMP | MDMT @ MAWP |
| 75 PSI @ 320 F | - 20 F @ 75 PSI |             |             |


|  |  |
|--|--|
| Test Pressure: Hydro: 150 PSI    Pneu: | Test Pressure: Hydro:                      Pneu: |
|--|--|

| Part       | Material        | Des. t" | Act. t" | CA" | % EF | RT | PWHT | Dimensions | Notes   |
|------------|-----------------|---------|---------|-----|------|----|------|------------|---|
| Base Plate | SA 395 60-40-18 | 1.00    | 1.00    | -   | 80   |    |      | OD": 15.5" | Design Report #<br>R-0905 E300 DI<br><br>Proof Tested |
| Casing     | SA 395 60-40-18 | 0.55    | 0.55    | -   | 80   |    |      | OAL": 7.1" |   |
|            |                 |         |         |     |      |    |      | W":        |   |
|            |                 |         |         |     |      |    |      | H":        |   |
|            |                 |         |         |     |      |    |      | HS FT²:    |   |

- Notes:**
- 1- The return of this form, bearing the signature and stamp of the Jurisdiction will legally establish the CRN shown on this form.
  - 2- A copy of the Design bearing the CRN will be sent to the Manufacturer.
  - 3- Details including service conditions will be posted on the 'Silent Inspector' Bulletin Board.
  - 4- Copies of the Design and Specifications are available to ACIC Members on demand.
  - 5- The form will be a permanent ACIC record.
  - 6- To reduce turnaround times to a minimum fax your response to 902-566-3133.

**ACIC Log#:** 30230  
**Description:** Heat Exchanger Housing, E300  
 ASME Stamp, National Board Registered

This space is for Jurisdictional stamp and signature



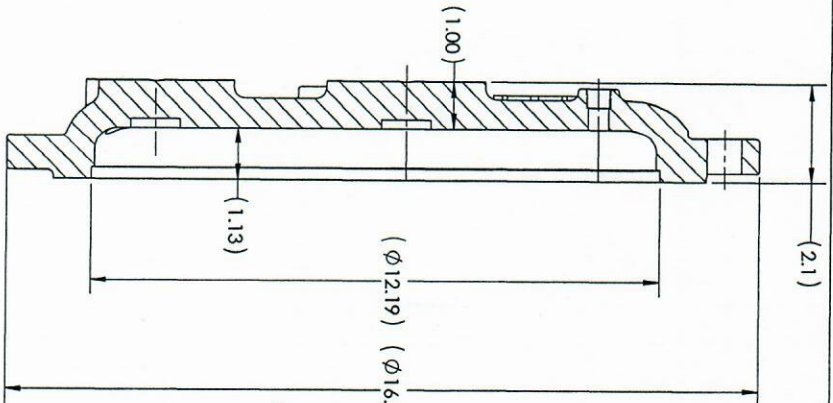
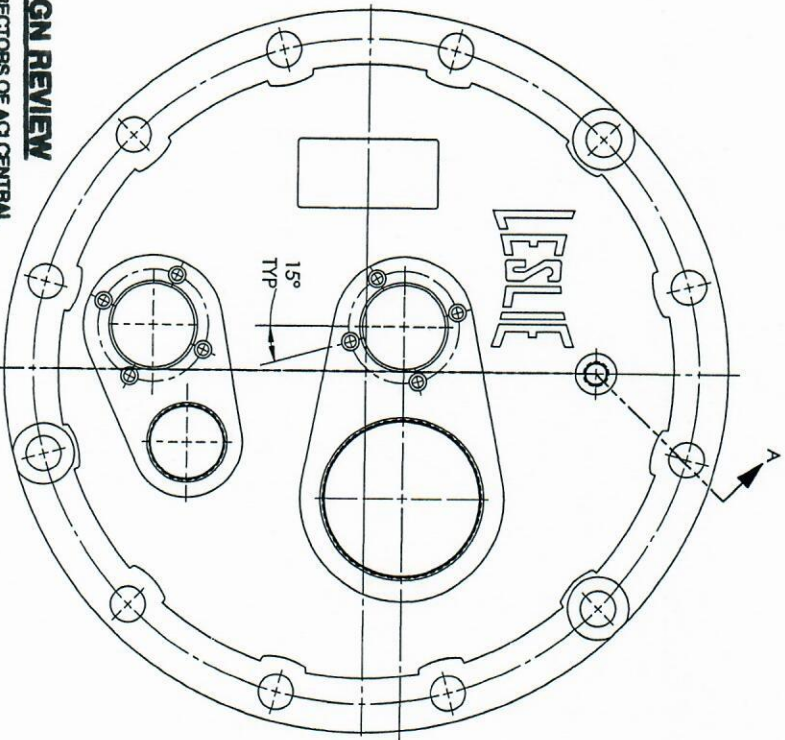
**Northwest Territories**

REGISTERED  
 UNDER THE AUTHORITY OF  
 THE BOILER AND PRESSURE  
 VESSEL ACT.

C.R.N R6274.5T  
 SIGNED [Signature]  
 DATE Aug 22 2020

*8/26/20*

| REVISIONS |      | DESCRIPTION | E.C.N. | DRAWN BY | APPROVED BY | APPROVED DATE |
|-----------|------|-------------|--------|----------|-------------|---------------|
| ZONE      | REV. |             |        |          |             |               |
|           |      |             |        |          |             |               |



SECTION A-A

NOTES:

1. E300 BASEPLATE REFERENCE
2. ALL DIMENSIONS IN INCHES



Technical Standards and Safety Authority  
 Boilers and Pressure Vessels Safety Program  
**REGISTERED**  
 CR.N.: R6274.59870YTN  
 Signed: AS  
 Date: Jan 2, 2020

SEE DESIGN REPORT R-0905 E300 DI FOR DESIGN CONDITIONS AND MATERIALS

**ACIC DESIGN REVIEW**  
 AUTHORISED BY THE DIRECTORS OF ACI CENTRAL

CRN: R6274.59870YTN

DATE: Sept 9, 2020

FILE: PV-9791

REGISTRATION IS A LEGAL REQUIREMENT UNDER THE ACT.  
 IT DOES NOT RELIEVE THE MANUFACTURER OF ANY  
 RESPONSIBILITY FOR THE PRODUCT DETAILED HEREIN.

ECCN: EAR99

|            |                  |              |     |
|------------|------------------|--------------|-----|
| SIZE       | CAGE CODE        | DWG. NO.     | REV |
| B          | 35795            | A68439 REF   | A   |
| SCALE: 2:5 | WEIGHT: 36.00 LB | SHEET 1 OF 1 |     |



| REVISIONS |               | DESCRIPTION | REV | ZONE |
|-----------|---------------|-------------|-----|------|
| 1         | APPROVED DATE |             |     |      |
| 2         | APPROVED BY   |             |     |      |
| 3         | DRAWN BY      |             |     |      |
| 4         | E.C.N.        |             |     |      |

**ACIC DESIGN REVIEW**

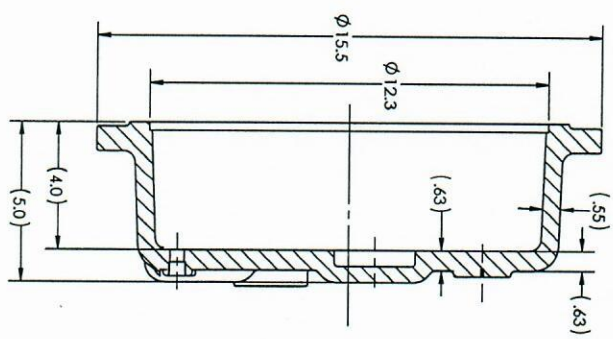
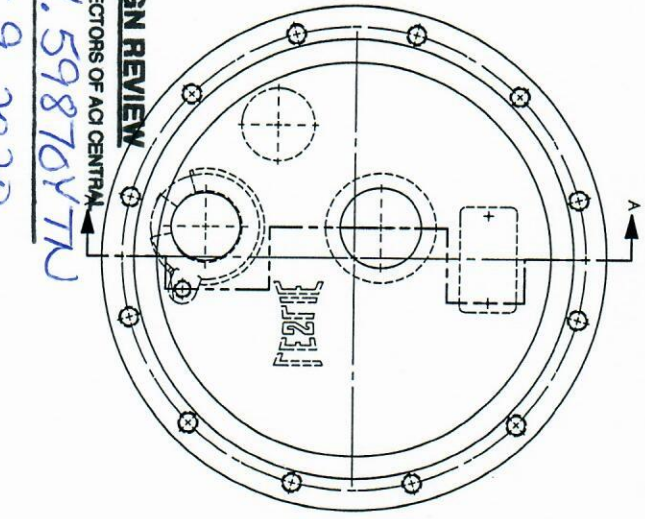
AUTHORISED BY THE DIRECTORS OF ACI CENTRAL

CRN: R6274.59876YTN

DATE: Sept 9, 2020

FILE: PV-9791

REGISTRATION IS A LEGAL REQUIREMENT UNDER THE ACT.  
IT DOES NOT RELIEVE THE MANUFACTURER OF ANY  
RESPONSIBILITY FOR THE PRODUCT DETAILED HEREIN.



**THIS IS PART OF**  
**CRN R6274.59876**  
Technical Standards & Safety Authority  
Boilers & Pressure Vessels  
Safety Program



- NOTES:
1. E3000 REFERENCE SIZE FOR TENSILE SPECIMENS
  2. ALL DIMENSIONS IN INCHES.

ECCN: EAR99

|            |            |            |              |
|------------|------------|------------|--------------|
| SIZE       | CAGE CODE  | DWG. NO.   | REV          |
| B          | 35795      | A68438 REF | B            |
| SCALE: 1:3 | WEIGHT: 53 | LB         | SHEET 1 OF 1 |