

ACI Central Inc.

20 McAulay Court, Charlottetown, PE C1A 9M7
 P.O. Box 53, Charlottetown, PE C1A 7K1. Phone: 902-566-1975, Fax: 902-566-3133

Recommendation to Register – Pressure Vessel Design

To: Muhammad Wani

Date: 08/26/2020

From: ACI Central Inc.

Manufacturer: Leslie Controls Inc
 12501 Telecom Dr
 Tampa, FL 33637
 USA

Manufacturer #: PV-9791

Subject: ACI Central Design Review

The product described on this form has satisfied the requirements for review of pressure vessel designs established by the Directors of ACI Central at their September 1994 meeting in Moncton, New Brunswick. We recommend this design be registered in your Jurisdiction under;

CRN: R6275.5

Unit Description	Drawing Number	Service	Design Code
Heat Exchanger Housing	A68548REF rA & A68544REF rA	Non Lethal	ASME Sect VIII Div. 1

Shell Side

Tube Side

MAWP @ TEMP	MDMT @ MAWP	MAWP @ TEMP	MDMT @ MAWP
75 PSI @ 320 F	- 20 F @ 75 PSI		

Test Pressure: Hydro: 150 PSI Pneu:	Test Pressure: Hydro: Pneu:
--	--

Part	Material	Des. t"	Act. t"	CA"	% EF	RT	PWHT	Dimensions	Notes
Base Plate	SA 395 60-40-18	0.75	0.75	-	80			OD":	Design Report #
Casing	SA 395 60-40-18	0.56	0.56	-	80			OAL": 17.875"	R-0905 E900 DI
								W": 15.5"	
								H": 19.9"	
								HS FT²:	Proof Tested


Notes:

- 1- The return of this form, bearing the signature and stamp of the Jurisdiction will legally establish the CRN shown on this form.
- 2- A copy of the Design bearing the CRN will be sent to the Manufacturer.
- 3- Details including service conditions will be posted on the 'Silent Inspector' Bulletin Board.
- 4- Copies of the Design and Specifications are available to ACIC Members on demand.
- 5- The form will be a permanent ACIC record.
- 6- To reduce turnaround times to a minimum fax your response to 902-566-3133.

ACIC Log#: 30232

Description: Heat Exchanger Housing, E900
 ASME Stamp, National Board Registered

This space is for Jurisdictional stamp and signature



NUNAVUT

Boilers and
Pressure Vessels Act

REGISTERED

CRN R 6275.5N

Date AUG 28, 2020

Signed [Signature]

Chief Inspector

Territorial Registration Fee

ACI Central Inc.

20 McAulay Court, Charlottetown, PE C1A 9M7
 P.O. Box 53, Charlottetown, PE C1A 7K1. Phone: 902-566-1975, Fax: 902-566-3133

Recommendation to Register – Pressure Vessel Design

To: Steve Townsend

Date: 08/26/2020

From: ACI Central Inc.

Manufacturer: Leslie Controls Inc
 12501 Telecom Dr
 Tampa, FL 33637
 USA

Manufacturer #: PV-9791

Subject: ACI Central Design Review

The product described on this form has satisfied the requirements for review of pressure vessel designs established by the Directors of ACI Central at their September 1994 meeting in Moncton, New Brunswick. We recommend this design be registered in your Jurisdiction under;

CRN: R6275.5

Unit Description	Drawing Number	Service	Design Code
Heat Exchanger Housing	A68548REF rA & A68544REF rA	Non Lethal	ASME Sect VIII Div. 1

Shell Side		Tube Side	
MAWP @ TEMP	MDMT @ MAWP	MAWP @ TEMP	MDMT @ MAWP
75 PSI @ 320 F	- 20 F @ 75 PSI		

Test Pressure: Hydro: 150 PSI Pneu: _____	Test Pressure: Hydro: _____ Pneu: _____
--	--

Part	Material	Des. t"	Act. t"	CA"	% EF	RT	PWHT	Dimensions	Notes
Base Plate	SA 395 60-40-18	0.75	0.75	-	80			OD":	Design Report # R-0905 E900 DI Proof Tested
Casing	SA 395 60-40-18	0.56	0.56	-	80			OAL": 17.875"	
								W": 15.5"	
								H": 19.9"	
								HS FT²:	

Notes:

- 1- The return of this form, bearing the signature and stamp of the Jurisdiction will legally establish the CRN shown on this form.
- 2- A copy of the Design bearing the CRN will be sent to the Manufacturer.
- 3- Details including service conditions will be posted on the 'Silent Inspector' Bulletin Board.
- 4- Copies of the Design and Specifications are available to ACIC Members on demand.
- 5- The form will be a permanent ACIC record.
- 6- To reduce turnaround times to a minimum fax your response to 902-566-3133.

ACIC Log#: 30232

Description: Heat Exchanger Housing, E900
 ASME Stamp, National Board Registered

This space is for Jurisdictional stamp and signature

ACCEPTED

PROVINCE OF PRINCE EDWARD ISLAND

COMMUNITIES, LAND & ENVIRONMENT

C.R.N. R6275.59

DATE: Aug 27/20

[Signature]

INSPECTION SERVICES SECTION

BOILER/PRESSURE VESSEL BRANCH

ACI Central Inc.

20 McAulay Court, Charlottetown, PE C1A 9M7
 P.O. Box 53, Charlottetown, PE C1A 7K1. Phone: 902-566-1975, Fax: 902-566-3133

Recommendation to Register – Pressure Vessel Design

To: Donnie Ehler

Date: 08/26/2020

From: ACI Central Inc.

Manufacturer: Leslie Controls Inc
 12501 Telecom Dr
 Tampa, FL 33637
 USA

Manufacturer #: PV-9791

Subject: ACI Central Design Review

The product described on this form has satisfied the requirements for review of pressure vessel designs established by the Directors of ACI Central at their September 1994 meeting in Moncton, New Brunswick. We recommend this design be registered in your Jurisdiction under:

CRN: R6275.5

Unit Description	Drawing Number	Service	Design Code
Heat Exchanger Housing	A68548REF rA & A68544REF rA	Non Lethal	ASME Sect VIII Div. 1

Shell Side

Tube Side

MAWP @ TEMP	MDMT @ MAWP	MAWP @ TEMP	MDMT @ MAWP
75 PSI @ 320 F	- 20 F @ 75 PSI		

Test Pressure: Hydro: 150 PSI Pneu:	Test Pressure: Hydro: Pneu:
--	--

Part	Material	Des. t"	Act. t"	CA"	% EF	RT	PWHT	Dimensions	Notes
Base Plate	SA 395 60-40-18	0.75	0.75	-	80			OD":	Design Report # R-0905 E900 DI Proof Tested
Casing	SA 395 60-40-18	0.56	0.56	-	80			OAL": 17.875"	
								W": 15.5"	
								H": 19.9"	
								HS FT":	

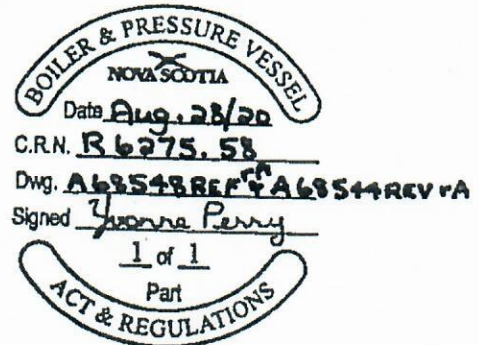
Notes:

- 1- The return of this form, bearing the signature and stamp of the Jurisdiction will legally establish the CRN shown on this form.
- 2- A copy of the Design bearing the CRN will be sent to the Manufacturer.
- 3- Details including service conditions will be posted on the 'Silent Inspector' Bulletin Board.
- 4- Copies of the Design and Specifications are available to ACIC Members on demand.
- 5- The form will be a permanent ACIC record.
- 6- To reduce turnaround times to a minimum fax your response to 902-566-3133.

ACIC Log#: 30232

Description: Heat Exchanger Housing, E900
 ASME Stamp, National Board Registered

This space is for Jurisdictional stamp and signature



ACI Central Inc.

20 McAulay Court, Charlottetown, PE C1A 9M7
 P.O. Box 53, Charlottetown, PE C1A 7K1. Phone: 902-566-1975, Fax: 902-566-3133

Recommendation to Register – Pressure Vessel Design

To: Eben Creaser

Date: 08/26/2020

From: ACI Central Inc.

Manufacturer: Leslie Controls Inc
 12501 Telecom Dr
 Tampa, FL 33637
 USA

Manufacturer #: PV-9791

Subject: ACI Central Design Review

The product described on this form has satisfied the requirements for review of pressure vessel designs established by the Directors of ACI Central at their September 1994 meeting in Moncton, New Brunswick. We recommend this design be registered in your Jurisdiction under;

CRN: R6275.5

Unit Description	Drawing Number	Service	Design Code
Heat Exchanger Housing	A68548REF rA & A68544REF rA	Non Lethal	ASME Sect VIII Div. 1

Shell Side

Tube Side

MAWP @ TEMP	MDMT @ MAWP	MAWP @ TEMP	MDMT @ MAWP
75 PSI @ 320 F	- 20 F @ 75 PSI		

Test Pressure: Hydro: 150 PSI	Pneu:	Test Pressure: Hydro:	Pneu:
-------------------------------	-------	-----------------------	-------

Part	Material	Des. t"	Act. t"	CA"	% EF	RT	PWHT	Dimensions	Notes
Base Plate	SA 395 60-40-18	0.75	0.75	-	80			OD":	Design Report #
Casing	SA 395 60-40-18	0.56	0.56	-	80			OAL": 17.875"	R-0905 E900 DI
								W": 15.5"	
								H": 19.9"	
								HS FT ² :	Proof Tested

Notes:

- 1- The return of this form, bearing the signature and stamp of the Jurisdiction will legally establish the CRN shown on this form.
- 2- A copy of the Design bearing the CRN will be sent to the Manufacturer.
- 3- Details including service conditions will be posted on the 'Silent Inspector' Bulletin Board.
- 4- Copies of the Design and Specifications are available to ACIC Members on demand.
- 5- The form will be a permanent ACIC record.
- 6- To reduce turnaround times to a minimum fax your response to 902-566-3133.

ACIC Log#: 30232

Description: Heat Exchanger Housing, E900
 ASME Stamp, National Board Registered

This space is for Jurisdictional stamp and signature

New Brunswick
 Nouveau Brunswick

DEPT OF JUSTICE PUBLIC SAFETY
 BOILER & PRESSURE VESSEL ACT

REGISTRATION ONLY

CRN R6275.57

Eben Creaser
 CHIEF BOILER INSPECTOR

DATE 8/28/20

BLRs PVs

FITTINGS NUCLEAR COMPONENTS

ACI Central Inc.

20 McAulay Court, Charlottetown, PE C1A 9M7
 P.O. Box 53, Charlottetown, PE C1A 7K1. Phone: 902-566-1975, Fax: 902-566-3133

Recommendation to Register – Pressure Vessel Design

To: Stephen Higdon

Date: 08/26/2020

From: ACI Central Inc.

Manufacturer: Leslie Controls Inc
 12501 Telecom Dr
 Tampa, FL 33637
 USA

Manufacturer #: PV-9791

Subject: ACI Central Design Review

The product described on this form has satisfied the requirements for review of pressure vessel designs established by the Directors of ACI Central at their September 1994 meeting in Moncton, New Brunswick. We recommend this design be registered in your Jurisdiction under;

CRN: R6275.5

Unit Description	Drawing Number	Service	Design Code
Heat Exchanger Housing	A68548REF rA & A68544REF rA	Non Lethal	ASME Sect VIII Div. 1

Shell Side		Tube Side	
MAWP @ TEMP	MDMT @ MAWP	MAWP @ TEMP	MDMT @ MAWP
75 PSI @ 320 F	- 20 F @ 75 PSI		

Test Pressure: Hydro: 150 PSI Pneu:	Test Pressure: Hydro: Pneu:
--	--

Part	Material	Des. t"	Act. t"	CA"	% EF	RT	PWHT	Dimensions	Notes
Base Plate	SA 395 60-40-18	0.75	0.75	-	80			OD":	Design Report # R-0905 E900 DI Proof Tested
Casing	SA 395 60-40-18	0.56	0.56	-	80			OAL": 17.875"	
								W": 15.5"	
								H": 19.9"	
								HS FT²:	


Notes:

- 1- The return of this form, bearing the signature and stamp of the Jurisdiction will legally establish the CRN shown on this form.
- 2- A copy of the Design bearing the CRN will be sent to the Manufacturer.
- 3- Details including service conditions will be posted on the 'Silent Inspector' Bulletin Board.
- 4- Copies of the Design and Specifications are available to ACIC Members on demand.
- 5- The form will be a permanent ACIC record.
- 6- To reduce turnaround times to a minimum fax your response to 902-566-3133.

ACIC Log#: 30232

Description: Heat Exchanger Housing, E900
 ASME Stamp, National Board Registered

This space is for Jurisdictional stamp and signature



Service NL

Registered R6275.50
 Date 02 SEP 2020
 Engineering and Inspection Services
 Registered by *[Signature]*

UNDER THE AUTHORITY OF THE
 PUBLIC SAFETY ACT AND
 THE BOILER, PRESSURE VESSEL AND
 COMPRESSED GAS REGULATIONS

ACI Central Inc.

20 McAulay Court, Charlottetown, PE C1A 9M7
 P.O. Box 53, Charlottetown, PE C1A 7K1. Phone: 902-566-1975, Fax: 902-566-3133

Recommendation to Register – Pressure Vessel Design

To: Blair Rawlings

Date: 08/26/2020

From: ACI Central Inc.

Manufacturer: Leslie Controls Inc
 12501 Telecom Dr
 Tampa, FL 33637
 USA

Manufacturer #: PV-9791

Subject: ACI Central Design Review

The product described on this form has satisfied the requirements for review of pressure vessel designs established by the Directors of ACI Central at their September 1994 meeting in Moncton, New Brunswick. We recommend this design be registered in your Jurisdiction under;

CRN: R6275.5

Unit Description	Drawing Number	Service	Design Code
Heat Exchanger Housing	A68548REF rA & A68544REF rA	Non Lethal	ASME Sect VIII Div. 1

Shell Side		Tube Side	
MAWP @ TEMP	MDMT @ MAWP	MAWP @ TEMP	MDMT @ MAWP
75 PSI @ 320 F	- 20 F @ 75 PSI		

Test Pressure: Hydro: 150 PSI Pneu:	Test Pressure: Hydro: Pneu:
--	--

Part	Material	Des. t"	Act. t"	CA"	% EF	RT	PWHT	Dimensions	Notes
Base Plate	SA 395 60-40-18	0.75	0.75	-	80			OD":	Design Report # R-0905 E900 DI Proof Tested
Casing	SA 395 60-40-18	0.56	0.56	-	80			OAL": 17.875"	
								W": 15.5"	
								H": 19.9"	
								HS FT²:	

Notes:

- 1- The return of this form, bearing the signature and stamp of the Jurisdiction will legally establish the CRN shown on this form.
- 2- A copy of the Design bearing the CRN will be sent to the Manufacturer.
- 3- Details including service conditions will be posted on the 'Silent Inspector' Bulletin Board.
- 4- Copies of the Design and Specifications are available to ACIC Members on demand.
- 5- The form will be a permanent ACIC record.
- 6- To reduce turnaround times to a minimum fax your response to 902-566-3133.

ACIC Log#: 30232

Description: Heat Exchanger Housing, E900
 ASME Stamp, National Board Registered

This space is for Jurisdictional stamp and signature

GOVERNMENT OF YUKON
 BY *[Signature]*
 CRN R6275.5Y
 DATE 08/28/2020
 BOILERS BRANCH

ACI Central Inc.

20 McAulay Court, Charlottetown, PE C1A 9M7
 P.O. Box 53, Charlottetown, PE C1A 7K1. Phone: 902-566-1975, Fax: 902-566-3133

Recommendation to Register – Pressure Vessel Design

To: Matthias Mailman

Date: 08/26/2020

From: ACI Central Inc.

Manufacturer: Leslie Controls Inc
 12501 Telecom Dr
 Tampa, FL 33637
 USA

Manufacturer #: PV-9791

Subject: ACI Central Design Review

The product described on this form has satisfied the requirements for review of pressure vessel designs established by the Directors of ACI Central at their September 1994 meeting in Moncton, New Brunswick. We recommend this design be registered in your Jurisdiction under:

CRN: R6275.5

Unit Description	Drawing Number	Service	Design Code
Heat Exchanger Housing	A68548REF rA & A68544REF rA	Non Lethal	ASME Sect VIII Div. 1

Shell Side

Tube Side

MAWP @ TEMP	MDMT @ MAWP	MAWP @ TEMP	MDMT @ MAWP
75 PSI @ 320 F	- 20 F @ 75 PSI		

Test Pressure: Hydro: 150 PSI	Pneu:	Test Pressure: Hydro:	Pneu:
-------------------------------	-------	-----------------------	-------

Part	Material	Des. t"	Act. t"	CA"	% EF	RT	PWHT	Dimensions	Notes
Base Plate	SA 395 60-40-18	0.75	0.75	-	80			OD":	Design Report #
Casing	SA 395 60-40-18	0.56	0.56	-	80			OAL": 17.875"	R-0905 E900 DI
								W": 15.5"	
								H": 19.9"	
								HS FT²:	Proof Tested

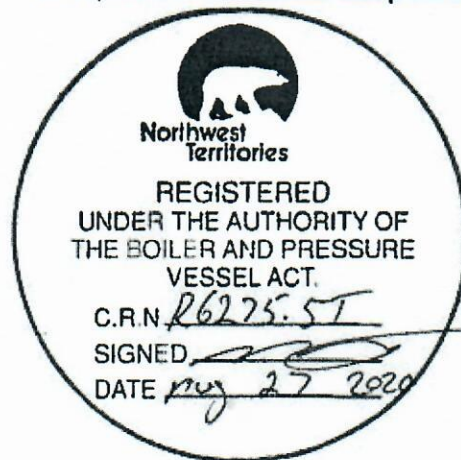
Notes:

- 1- The return of this form, bearing the signature and stamp of the Jurisdiction will legally establish the CRN shown on this form.
- 2- A copy of the Design bearing the CRN will be sent to the Manufacturer.
- 3- Details including service conditions will be posted on the 'Silent Inspector' Bulletin Board.
- 4- Copies of the Design and Specifications are available to ACIC Members on demand.
- 5- The form will be a permanent ACIC record.
- 6- To reduce turnaround times to a minimum fax your response to 902-566-3133.

ACIC Log#: 30232

Description: Heat Exchanger Housing, E900
 ASME Stamp, National Board Registered

This space is for Jurisdictional stamp and signature



ACIC DESIGN REVIEW

AUTHORISED BY THE DIRECTORS OF ACI CENTRAL

CRN: R6275.59870YTN

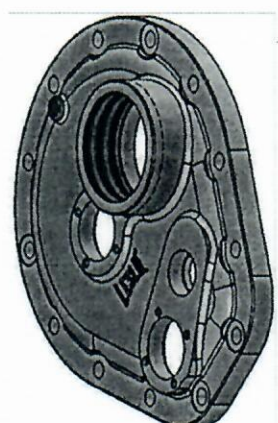
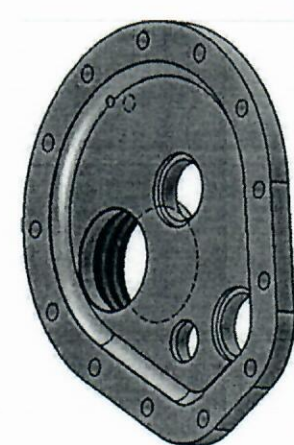
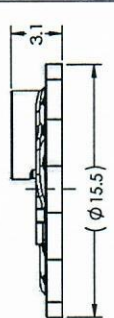
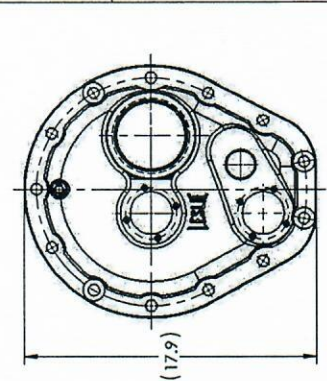
DATE: Sept 10, 2020

FILE: PV-9791

BASE PLATE
 SIZE: E900
 CLASS: N/A
 PRODUCT: HEATER
 MATERIAL: DUCTILE IRON

REGISTRATION IS A LEGAL REQUIREMENT UNDER THE ACT.
 IT DOES NOT RELIEVE THE MANUFACTURER OF ANY
 RESPONSIBILITY FOR THE PRODUCT DETAILED HEREIN.

ZONE	REV.	DESCRIPTION	E.C.N.	DRAWN BY	APPROVED BY	APPROVED DATE
	A	REFERENCE	N/A	JAM	N/A	N/A



REV	SH	REV STATUS	THIRD ANGLE PROJECTION	DATE	SCALE	WEIGHT	REV
A	1	JAM	20191113	1:2	50.00 LB	A	
A	2	JAM	20191113			A	

LESLEIE
 LESLIE CONTROLS, INC
 TAMPA, FLORIDA
 A SUBSIDIARY OF CIRCOR INTERNATIONAL

TITLE: **BASE PLATE**
 E900

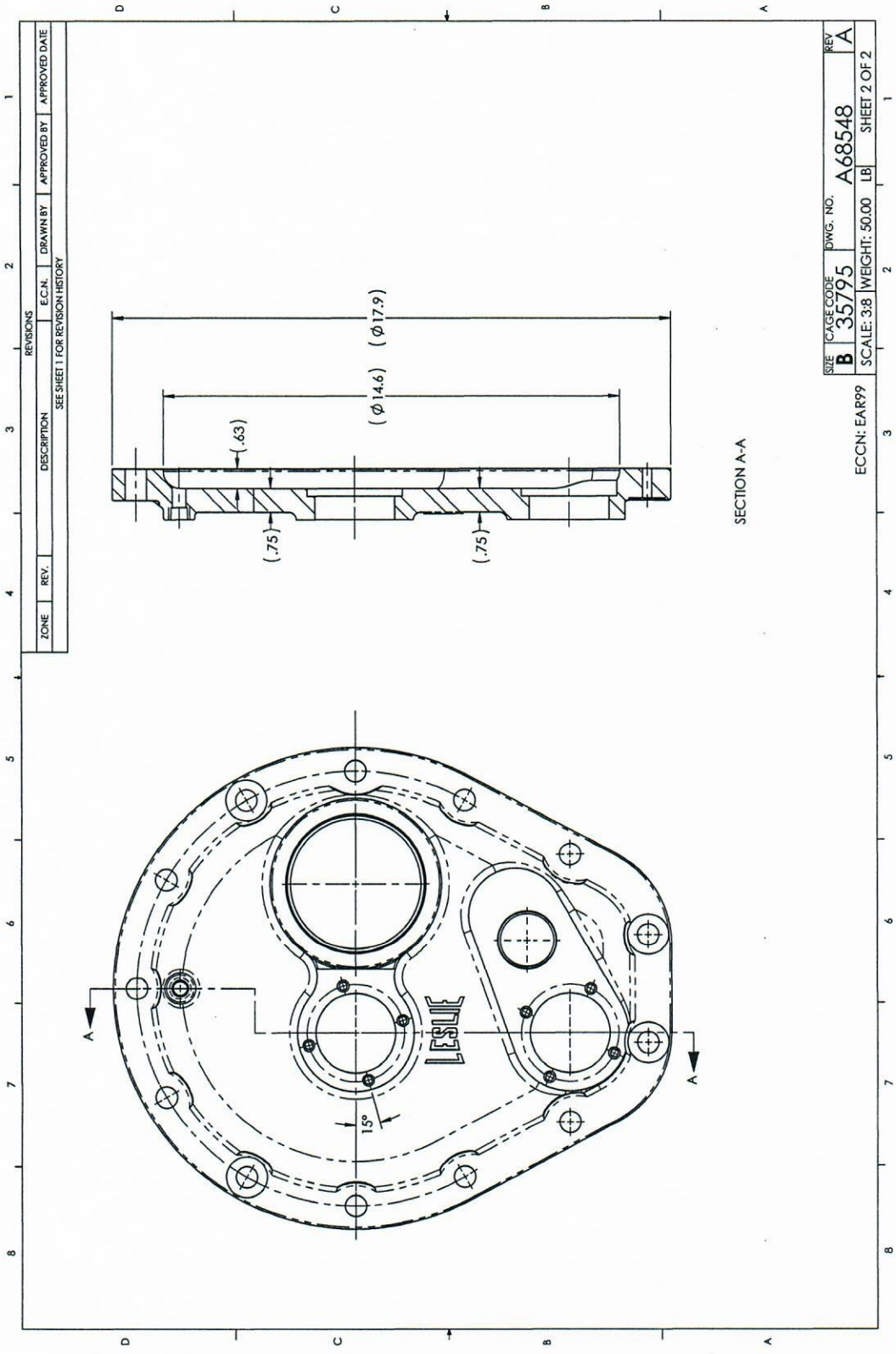
SIZE: E900
 DWG. NO.: A68548 REF
 SCALE: 1:2

REPORT LICENSE: EA R99EAR99

INTERPRET DIMENSIONS AND TOLERANCES PER ASME Y14.5-2009
 UNLESS OTHERWISE SPECIFIED:
 SURFACE FINISH PER ISO 12581 PER ASME B46.1
 HOLE ALL DIMS. DIMS. 0.508mm MAX
 FILLET ARE 0.508mm R.127mm TO 0.508mm R.381mm

DIMENSIONAL TOLERANCES
 1 PLACE DECIMAL ±0.127mm
 2 PLACE DECIMAL ±0.076mm
 3 PLACE DECIMAL ±0.051mm
 ANGULAR TOLERANCE ±0.5°

THIS DRAWING IS THE PROPERTY OF LESLIE CONTROLS IT CONTAINS INFORMATION PROPRIETARY TO LESLIE CONTROLS AND IS BEING FOR WHICH IT HAS BEEN USED HAS BEEN FULFILLED UPON DEMAND, THIS DRAWING MUST BE RETURNED TO LESLIE CONTROLS DRAWINGS DEPARTMENT OF THE DRAWING UNDER ANY CONDITIONS EXPRESSLY FORBIDDEN.



ZONE		REV.	DESCRIPTION	REVISIONS		
				E.C.N.	DRAWN BY	APPROVED BY
				SEE SHEET 1 FOR REVISION HISTORY		
						APPROVED DATE

SIZE	CAGE CODE	DWG. NO.	REV
B	35795	A68548	A
SCALE: 3:8		WEIGHT: 50.00 LB	SHEET 2 OF 2

ECCN: EAR99

SECTION A-A

ACIC DESIGN REVIEW

AUTHORISED BY THE DIRECTORS OF ACI CENTRAL

CRN: R6275.59870YN

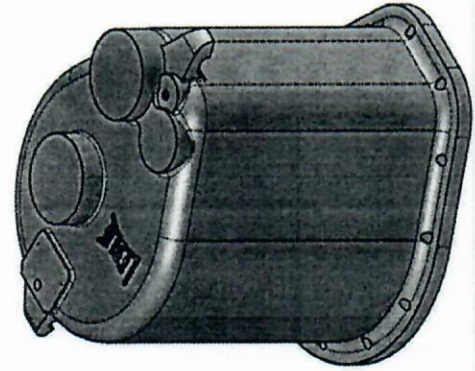
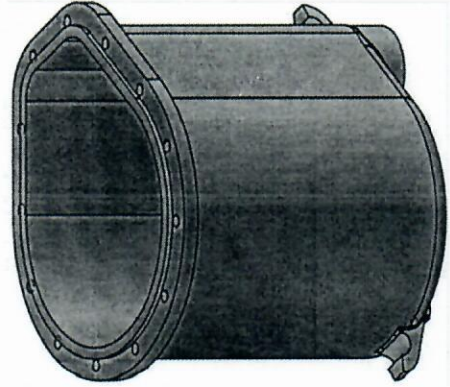
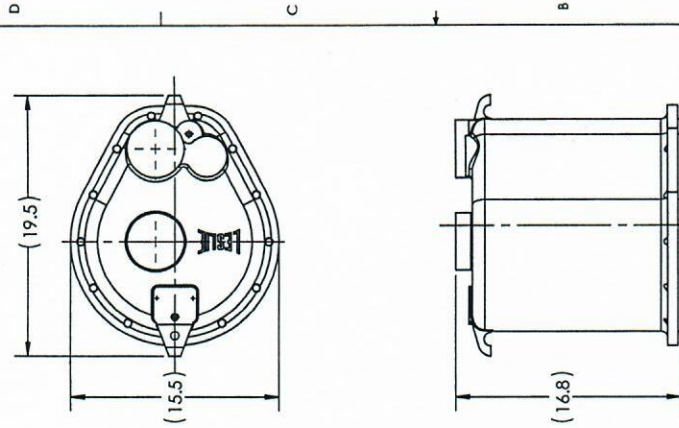
DATE: Sept 10, 2020

FILE: DV-9791

CASING, MACHINING
 SIZE: E-900
 CLASS: N/A
 PRODUCT: HEATER
 MATERIAL: DUCTILE IRON

REGISTRATION IS A LEGAL REQUIREMENT UNDER THE ACT.
 IT DOES NOT RELIEVE THE MANUFACTURER OF ANY
 RESPONSIBILITY FOR THE PRODUCT DETAILED HEREIN.

ZONE		REVISIONS			
REV.	DESCRIPTION REFERENCE	E.C.N.	DRAWN BY	APPROVED BY	APPROVED DATE
A		N/A	JAM	N/A	N/A



LESLIE
 LESLIE CONTROLS, INC
 TAMPA, FLORIDA
 A SUBSIDIARY OF CIRCOR INTERNATIONAL

TITLE: **CASING MACHINING**

SIZE: CAGE CODE **B** DWG. NO. **35795** REF **A** REV **A**

SCALE: 1:5 | WEIGHT: 130.00 LB | SHEET 1 OF 2

THIRD ANGLE PROJECTION

DATE: 20191113

APPROVED: JAM

EXPORT LICENSE: EAR99

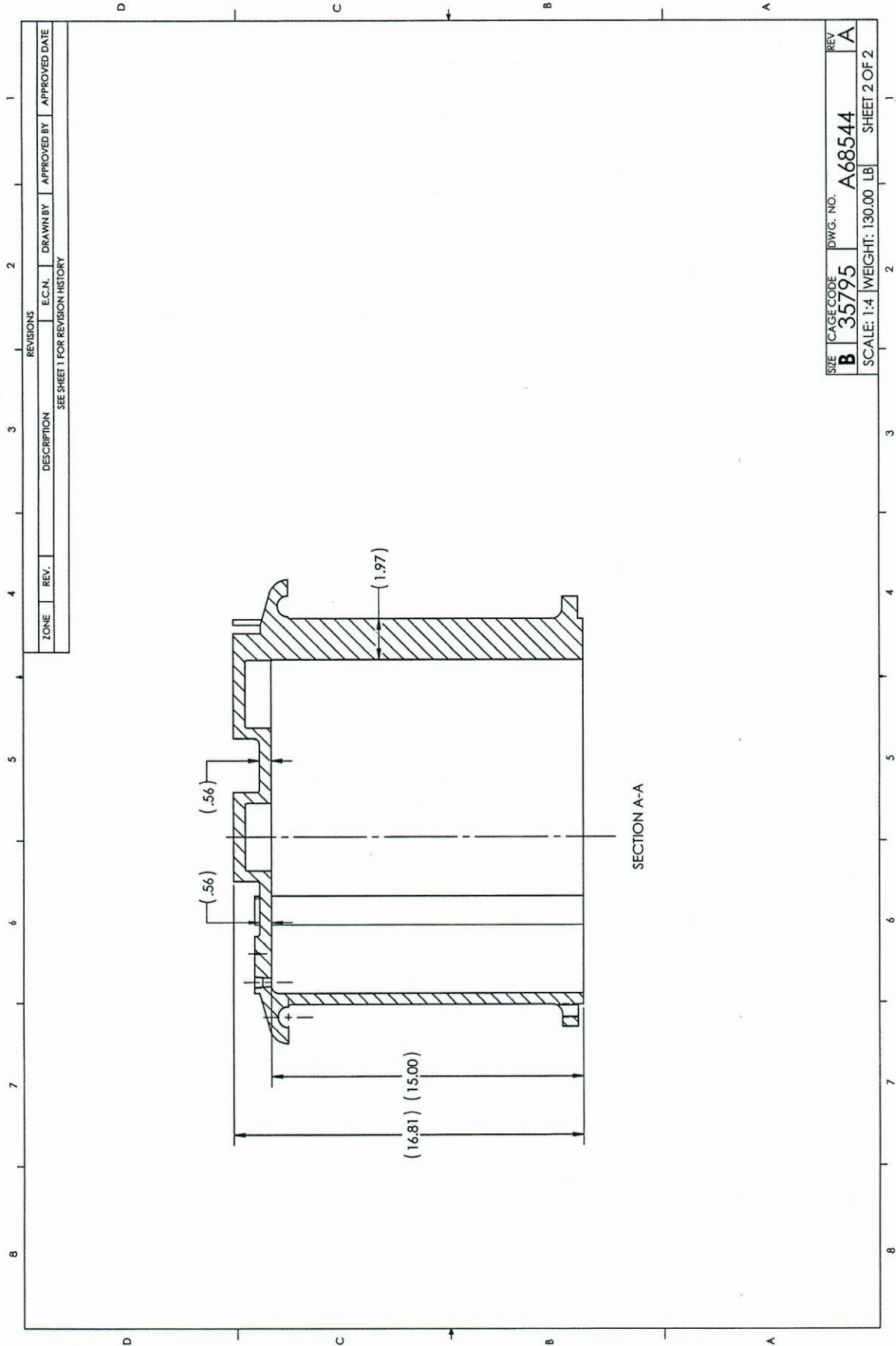
REV	SH	REV STATUS
A	1	A
A	2	A

PART REFERENCE NO.	RAW MATERIAL REF NO.	CAST NO.	USED ON

INTERPRET DIMENSIONS AND TOLERANCES PER ASME Y14.5-2009
 UNLESS OTHERWISE SPECIFIED:
 DIMENSIONS ARE IN INCHES
 SURFACE TEXTURE FINISH 125μm FOR RA VALUE RA4.1
 BREAK ALL EDGES .020in MAX / 0.508mm MAX
 FILLET ARE .25in R / 0.127mm R / 0.125in R / 0.317mm R

DIMENSIONAL TOLERANCES
 UNDER 4in / 101.6mm 4in / 101.6mm - 18in / 457mm ±.004in / 0.101mm
 18in / 457mm - 30in / 762mm ±.006in / 0.152mm
 30in / 762mm - 48in / 1219mm ±.008in / 0.203mm
 48in / 1219mm - 72in / 1829mm ±.010in / 0.254mm
 ANGULAR TOLERANCE 30° ±30'

THIS DRAWING IS THE PROPERTY OF LESLIE CONTROLS, INC. IT CONTAINS CONFIDENTIAL INFORMATION AND IS NOT TO BE REPRODUCED OR TRANSMITTED IN ANY FORM OR BY ANY MEANS, ELECTRONIC OR MECHANICAL, INCLUDING PHOTOCOPYING, RECORDING, OR BY ANY INFORMATION STORAGE AND RETRIEVAL SYSTEM, WITHOUT THE WRITTEN PERMISSION OF LESLIE CONTROLS, INC. FOR A PARTICULAR LIMITED PURPOSE ONLY. WHEN THE PURPOSE FOR WHICH IT HAS BEEN ISSUED HAS BEEN FULFILLED OR UPON DEMAND, THIS DRAWING AND ALL INFORMATION CONTAINED HEREIN SHALL BE DESTROYED AND MAY BE RETAINED ONLY WITH EXPRESS WRITTEN CONSENT. REPRODUCTION OF THIS DRAWING UNDER ANY CONDITIONS IS EXPRESSLY FORBIDDEN.



ZONE		REV.	DESCRIPTION	REVISIONS		E.C.N.	DRAWN BY	APPROVED BY	APPROVED DATE
			SEE SHEET 1 FOR REVISION HISTORY						

SIZE	CAGE CODE	DWG. NO.	REV.
B	35795	A68544	A
SCALE: 1:4		WEIGHT: 130.00 LB	SHEET 2 OF 2