

July 06, 2022

**Attention:** Tanya Francis  
TECHNICAL STANDARDS & SAFETY AUTHORITY  
345 CARLINGVIEW DRIVE  
TORONTO, ON M9W 6N9

The design submission, tracking number 2022-03487, originally received on June 23, 2022 was surveyed and accepted for registration as follows:

**CRN :** 0G08547.52 **Accepted on:** July 06, 2022  
**Reg Type:** RENEWAL **Expiry Date:** April 08, 2032  
**Drawing No. :** CATALOG CPCA\_2020\_SecE\_PRV & SCOPE ATTACHED TO AB-41  
**Fitting type:** PRESSURE RELIEF VALVES

Design registered in the name of : AALBERTS INTEGRATED PIPING SYSTEMS AMERICAS INC

**The registration is conditional on your compliance with the following notes:**

- *Renewal to original registration, there is no change in product scope. Registration is valid only for valves manufactured under ASME Certification.*

*As indicated on AB-41 Statutory Declaration form and submitted documentation, the code of construction are SECTION VIII, DIV. 1, SECTION I and SECTION IV.*

- *It is our understanding that the fitting(s), included as the scope of this submission, that is(are) subject to the Safety Codes Act shall comply with the requirements of the indicated Standard or Code of Construction on the AB-41 Statutory Declaration as supported by the attached data which identifies the dimensions, materials of construction, press./temp. ratings and the basis for such ratings, and the identification marking of the fittings.*

- *This registration is valid only for fittings fabricated at the location(s) covered by the QC certificate attached to the accepted AB-41 Statutory Declaration form.*

- *This registration is valid only until the indicated expiry date and only if the Manufacturer maintains a valid quality management system approved by an acceptable third-party agency until that date.*

- *Should the approval of the quality management system lapse before the expiry date indicated above, this registration shall become void.*

An invoice covering survey and registration fees will be forwarded from our Revenue Accounts.

If you have any question don't hesitate to contact me by phone at (780) 433-0281 ext 3369 or fax (780) 437-7787 or e-mail Radisavljevic@absa.ca.

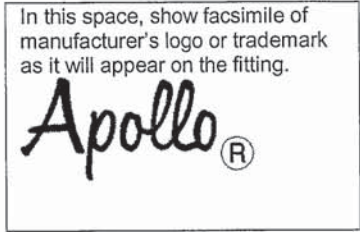
Sincerely,



RADISAVLJEVIC, ZANA, P. Tech. (Eng.)  
DOP Cert. No. D00003136

**STATUTORY DECLARATION**  
**Registration of Fittings**  
Single or Multiple Fitting Designs within one Fitting Category

I, David Edmonds, Senior Product Engineer  
(name of applicant) (position title) (must be in a position of authority)  
of Aaberts integrated piping systems Americas, Inc. (d/b/a Conbraco Ind. Inc.)  
(name of manufacturer)  
located at 1418 S. Pearl St., Pageland, SC 29728  
(plant address)



do solemnly declare that the fittings listed hereunder, which are subject to the Safety Codes Act (select only one)

- comply with the requirements of ASME BPVC which specifies the dimensions, (title of recognized North American Standard) materials of construction, pressure/temperature ratings and identification marking of the fittings, or
- are not covered by the provisions of a recognized North American standard and are therefore manufactured to comply with \_\_\_\_\_ as supported by the (title of code of construction or other applicable document) attached data which identifies the dimensions, materials of construction, pressure/temperature ratings and the basis for such ratings, and the identification marking of the fittings.

I further declare that the manufacture of these fittings is controlled by a quality control program which has been verified as described in the below Table as being suitable for the manufacturing of these fittings to the stated standard, regulation, code, guideline or other applicable document. The fittings covered by the declaration for which I seek registration are as provided in the Supplementary Sheet(s) attached.

**Quality Program Verification and Manufacturing Sites**

A copy of the Quality Certificate from each manufacturing site must be included

Item #	Product Description, Model or Series	Quality Program	Scope of Certification	Expiry Date	Verifying Organization	Location(s) Plant Name and address
1.	Safety Relief Valves	ISO	Design, Purchasing, Manufacturing, Distribution	09/14/2024	IAPMO R&T	1418 S. Pearl St. Pageland, SC 29728
2.	SRV	ISO	Brass Foundry and Machining Operations	09/14/2024	IAPMO R&T	1509 S. Van Lingle Mungo Blvd, Pageland, SC 29728

In support of this application, the following information, calculations and/or test data are attached:

CPCA 2020 SecE PRV; Certification Documents.

[Signature] (Signature of the Declarer)

11-18-21 (Date)

DECLARED before me at Pageland in the state of South Carolina

this 18th day of November, 2021

(print) Nancy Strawn (a Commissioner of Oaths or Notary Public)

(sign) Nancy Strawn (a Commissioner of Oaths or Notary Public)

09/04/2024 (expiry date (mm/dd/yy))



Commissioner of Oaths / Notary Public in and for: South Carolina

For ABSA Office Use Only:

NOTES:

To the best of my knowledge and belief, the application meets the requirements of the Safety Codes Act and CSA Standard B51, Part 1, Clause 4.2, and is accepted for registration in Category G

CRN: 0G08547.52

Registered Date: 2022-07-06

Expiry Date: 2032-04-08

Signature: (Signature of the Administrator/SCO)

The information you provide is necessary only for the administration of the programs as required by the Alberta Safety Codes Act and Regulations in the Pressure Equipment Discipline

2022-03487 ABSA SAFETY CODES ACT - PROVINCE OF ALBERTA ACCEPTED: 0G08547.52 See acceptance letter for conditions of registration. Date: 2022-07-06 By: Zana Radisavljevic ZANA RADISAVLJEVIC, P. Tech. (Eng. DOP: D00003136)

This stamp and signature have been affixed electronically to this registered design as required by Section 20(1) of the Pressure Equipment Safety Regulation, in accordance with the Electronic Transactions Act.



**Table 1\*\* Scope of Fitting Designs**

Item #	Primary Pressure Bearing / Retaining Component	Material of Construction	Port Connections and Size Range	MDMT	Rated Pressure		Pressure Class(es) / Schedule(s)	Design Code(s) of Construction	Reference Catalogue (pages) or Drawing(s)
					At Ambient Temperature	At Maximum Temperature			
See attachment									

**Table 2 Additional Scope Information**

List/Attach Additional Detail and References (Product Configurations, Options, Illustrations, etc.)
Example:
Series X Options
See attachment.

\*\* For additional alternatives of Table 1, refer to Form AB-41a, Guide for Completing Form AB-41





**Aalberts Integrated Piping Systems Americas, Inc. (CNB)**

Nameplate Abbreviation: Aalberts IPSA, Inc.

Pageland, SC 29728 United States

**This Company Manufactures or Assembles:**

Design Name: 10-102/104 (RVW10)		NBCert #	11002
Manufacturer/Assembler		Code Sections	Expiration Date
Manufacturer		IV	07/24/2023
Design Type			
[Safety Relief Valve] 10-102/104 (RVW10)			
Capacity Tests: Sec. IV at Ohio State University (Robinson Laboratory) on February 28, 1970			
Method of Establishing Relieving Capacity: Flow Capacity, Slope			
Certified Value: 14.850 PPH/PSIA			
Media - Test: Steam; Certified: Saturated Water			
Set Pressure Definition: Pop			
Blowdown Characteristics: Fixed			
Designed by: Aalberts Integrated Piping Systems Americas, Inc. {CNB}			

Inlet Size	Outlet Size	Flow Area	Orifice [designator] dia.	Lift	Set Pressure Range	Media	Code Section
0.75 NPS	1 NPS	0.442 in <sup>2</sup>	0.75 in	0.3 in	20-60 psi	Steam	IV

Design Name: 10-301/303 (RVW30)		NBCert #	11024
Manufacturer/Assembler		Code Sections	Expiration Date
Manufacturer		IV	05/07/2024
Design Type			
[Safety Relief Valve] 10-301/303 (RVW30)			
Capacity Tests: Sec. IV at Ohio State University (Robinson Laboratory) on October 12, 1962			
Method of Establishing Relieving Capacity: Flow Capacity, Slope			
Certified Value: 11.500 PPH/PSIA			
Media - Test: Steam; Certified: Saturated Water			
Set Pressure Definition: Pop			
Blowdown Characteristics: Fixed			
Designed by: Aalberts Integrated Piping Systems Americas, Inc. {CNB}			

Inlet Size	Outlet Size	Flow Area	Orifice [designator] dia.	Lift	Set Pressure Range	Media	Code Section
0.75 NPS	.75 NPS	0.442 in <sup>2</sup>	0.75 in	0.19 in	20-60 psi	Steam	IV

Design Name: 10-321 (RVW32)		NBCert #	11035
Manufacturer/Assembler		Code Sections	Expiration Date
Manufacturer		IV	03/24/2027



**Design Type**

[Safety Relief Valve] 10-321 (RVW32)  
 Capacity Tests: Sec. IV at Ohio State University (Robinson Laboratory) on May 8, 1975  
 Method of Establishing Relieving Capacity: Flow Capacity, Slope  
 Certified Value: 8.900 PPH/PSIA  
 Media - Test: Steam; Certified: Saturated Water  
 Set Pressure Definition: Pop  
 Blowdown Characteristics: Fixed  
 Designed by: Aalberts Integrated Piping Systems Americas, Inc. {CNB}

Inlet Size	Outlet Size	Flow Area	Orifice [designator] dia.	Lift	Set Pressure Range	Media	Code Section
0.75-0.75 NPS	.75 NPS	0.442 in <sup>2</sup>	0.75 in	0.14 in	20-60 psi	Steam	IV

Design Name: 10-322 (RVS32) NBCert # 11046

Manufacturer/Assembler	Code Sections	Expiration Date
Manufacturer	VIII Div. 1	03/30/2022

**Design Type**

[Safety Relief Valve] 10-322 (RVS32)  
 Capacity Tests: Sec. VIII Div. 1 at National Board Testing Lab (Picaway) on May 8, 1975  
 Method of Establishing Relieving Capacity: Flow Capacity, Slope  
 Certified Value: 9.000 PPH/PSIA  
 Media - Test: Steam; Certified: Steam  
 Set Pressure Definition: Pop  
 Blowdown Characteristics: Fixed  
 Designed by: Aalberts Integrated Piping Systems Americas, Inc. {CNB}

Inlet Size	Outlet Size	Flow Area	Orifice [designator] dia.	Lift	Set Pressure Range	Media	Code Section
0.75 NPS	.75 NPS	0.442 in <sup>2</sup>	0.75 in	0.14 in	20-60 psi	Steam	VIII Div. 1

Design Name: 10-407 & 10-408 (30 psig) NBCert # 11057

Manufacturer/Assembler	Code Sections	Expiration Date
Manufacturer	IV	11/17/2024

**Design Type**

[Safety Relief Valve] 10-407 & 10-408 (30 psig)  
 Capacity Tests: Sec. IV at National Board Testing Lab (Picaway) on September 28, 1983  
 Method of Establishing Relieving Capacity: Flow Capacity, 3 valve average  
 Certified Value: 535.00 PPH  
 Media - Test: Steam; Certified: Saturated Water  
 Set Pressure Definition: Pop  
 Blowdown Characteristics: Fixed  
 Designed by: Aalberts Integrated Piping Systems Americas, Inc. {CNB}

Inlet Size	Outlet Size	Flow Area	Orifice [designator] dia.	Lift	Set Pressure Range	Media	Code Section
0.75 NPS	.75 NPS	0.307 in <sup>2</sup>	0.625 in	0.26 in	30-30 psi	Steam	IV

Design Name: 10-417/418 (RVW40) NBCert # 11451

Manufacturer/Assembler	Code Sections	Expiration Date
Manufacturer	IV	09/27/2026

**Design Type**

[Safety Relief Valve] 10-417/418 (RVW40)  
 Capacity Tests: Sec. IV at National Board Testing Lab on March 2, 1999  
 Method of Establishing Relieving Capacity: Flow Capacity, Slope  
 Certified Value: 10.000 PPH/PSIA  
 Media - Test: Steam; Certified: Saturated Water  
 Set Pressure Definition: Pop  
 Blowdown Characteristics: Fixed  
 Designed by: Aalberts Integrated Piping Systems Americas, Inc. {CNB}

Inlet Size	Outlet Size	Flow Area	Orifice [designator] dia.	Lift	Set Pressure Range	Media	Code Section
0.75 NPS	.75 NPS	0.306 in <sup>2</sup>	0.624 in	0.156 in	20-80 psi	Steam	IV

Design Name: 10-512 (RVS52) NBCert # 11080

Manufacturer/Assembler	Code Sections	Expiration Date
Manufacturer	VIII Div. 1	11/04/2023

**Design Type**

[Safety Relief Valve] 10-512 (RVS52)  
 Capacity Tests: Sec. VIII Div. 1 at National Board Testing Lab (Picaway) on March 23, 1981  
 Method of Establishing Relieving Capacity: Flow Capacity, Slope  
 Certified Value: 4.867 PPH/PSIA  
 Media - Test: Steam; Certified: Steam  
 Set Pressure Definition: Pop  
 Blowdown Characteristics: Fixed  
 Designed by: Aalberts Integrated Piping Systems Americas, Inc. {CNB}

Inlet Size	Outlet Size	Flow Area	Orifice [designator] dia.	Lift	Set Pressure Range	Media	Code Section
0.5 NPS	.5 NPS	0.15 in <sup>2</sup>	0.437 in	0.1 in	15-60 psi	Steam	VIII Div. 1

Design Name: 10-600 (RVW60) NBCert # 11091

Manufacturer/Assembler	Code Sections	Expiration Date
Manufacturer	IV	11/03/2024

**Design Type**

[Safety Relief Valve] 10-600 (RVW60)  
 Capacity Tests: Sec. IV at National Board Testing Lab (Picaway) on June 18, 1987  
 Method of Establishing Relieving Capacity: Flow Capacity, K  
 Certified Value: 0.630 Unitless  
 Media - Test: Steam; Certified: Saturated Water  
 Set Pressure Definition: Pop  
 Blowdown Characteristics: Fixed  
 Designed by: Aalberts Integrated Piping Systems Americas, Inc. {CNB}

Inlet Size	Outlet Size	Flow Area	Orifice [designator] dia.	Lift	Set Pressure Range	Media	Code Section
0.75 NPS	.75 NPS	0.535 in <sup>2</sup>	0.825 in	0.336 in	15-160 psi	Steam	IV
1 NPS	1 NPS	0.866 in <sup>2</sup>	1.05 in	0.429 in	15-160 psi	Steam	IV
1.25 NPS	1.25 NPS	1.498 in <sup>2</sup>	1.381 in	0.554 in	15-160 psi	Steam	IV
1.5 NPS	1.5 NPS	2.038 in <sup>2</sup>	1.611 in	0.659 in	15-160 psi	Steam	IV
2 NPS	2 NPS	3.359 in <sup>2</sup>	2.068 in	0.89 in	15-160 psi	Steam	IV



Design Name: 10-610 (RVW61) NBCert # 11103

Manufacturer/Assembler	Code Sections	Expiration Date
Manufacturer	IV	08/13/2024

**Design Type**

[Safety Relief Valve] 10-610 (RVW61)  
 Capacity Tests: Sec. IV at National Board Testing Lab (Picaway) on June 3, 1987  
 Method of Establishing Relieving Capacity: Flow Capacity, K  
 Certified Value: 0.739 Unitless  
 Media - Test: Steam; Certified: Saturated Water  
 Set Pressure Definition: Pop  
 Blowdown Characteristics: Fixed  
 Designed by: Aalberts Integrated Piping Systems Americas, Inc. {CNB}

Inlet Size	Outlet Size	Flow Area	Orifice [designator] dia.	Lift	Set Pressure Range	Media	Code Section
0.75 NPS	1 NPS	0.535 in <sup>2</sup>	0.825 in	0.336 in	15-160 psi	Steam	IV
1 NPS	1.25 NPS	0.866 in <sup>2</sup>	1.05 in	0.429 in	15-160 psi	Steam	IV
1.25 NPS	1.5 NPS	1.498 in <sup>2</sup>	1.381 in	0.554 in	15-160 psi	Steam	IV
1.5 NPS	2 NPS	2.038 in <sup>2</sup>	1.611 in	0.659 in	15-160 psi	Steam	IV
2 NPS	2.5 NPS	3.359 in <sup>2</sup>	2.068 in	0.89 in	15-160 psi	Steam	IV

Design Name: 10-624/634 (RVW62) NBCert # 11518

Manufacturer/Assembler	Code Sections	Expiration Date
Manufacturer	IV	11/17/2024

**Design Type**

[Safety Relief Valve] 10-624/634 (RVW62)  
 Capacity Tests: Sec. IV at National Board Testing Lab on March 13, 2001  
 Method of Establishing Relieving Capacity: Flow Capacity, Slope  
 Certified Value: 14.450 PPH/PSIA  
 Media - Test: Steam; Certified: Saturated Water  
 Set Pressure Definition: Pop  
 Blowdown Characteristics: Fixed  
 Designed by: Aalberts Integrated Piping Systems Americas, Inc. {CNB}

Inlet Size	Outlet Size	Flow Area	Orifice [designator] dia.	Lift	Set Pressure Range	Media	Code Section
0.75 NPS	.75 NPS	0.463 in <sup>2</sup>	0.768 in	0.19 in	30-150 psi	Steam	IV

Design Name: 119 Series NBCert # 11361

Manufacturer/Assembler	Code Sections	Expiration Date
Manufacturer	I, VIII Div. 1	09/29/2024

**Design Type**

[Safety Valve] 119 Series  
 Capacity Tests: Sec. I, VIII Div. 1 at National Board Testing Lab on March 5, 1997  
 Method of Establishing Relieving Capacity: Flow Capacity, K  
 Certified Value: 0.878 Unitless  
 Media - Test: Steam; Certified: Air, Gas, Steam  
 Set Pressure Definition: Pop  
 Blowdown Characteristics: Adjustable  
 Designed by: Aalberts Integrated Piping Systems Americas, Inc. {CNB}

Inlet Size	Outlet Size	Flow Area	Orifice [designator] dia.	Lift	Set Pressure Range	Media	Code Section
1.5 NPS	2.5 NPS	1.358 in	[J] 1.315 in	0.329 in	15-250 psi	Air	VIII Div. 1
1.5 NPS	2.5 NPS	1.358 in	[J] 1.315 in	0.329 in	15-250 psi	Steam	VIII Div. 1
1.5 NPS	2.5 NPS	1.358 in	[J] 1.315 in	0.329 in	15-250 psi	Steam	I
2-3 NPS	3 NPS	1.926 in <sup>2</sup>	[K] 1.566 in	0.392 in	15-250 psi	Air	VIII Div. 1
2-3 NPS	3 NPS	1.926 in <sup>2</sup>	[K] 1.566 in	0.392 in	15-250 psi	Steam	VIII Div. 1
2-3 NPS	3 NPS	1.926 in <sup>2</sup>	[K] 1.566 in	0.392 in	15-250 psi	Steam	I
2.5-4 NPS	4 NPS	2.99 in <sup>2</sup>	[L] 1.951 in	0.488 in	15-250 psi	Air	VIII Div. 1
2.5-4 NPS	4 NPS	2.99 in <sup>2</sup>	[L] 1.951 in	0.488 in	15-250 psi	Steam	III
2.5-4 NPS	4 NPS	2.99 in <sup>2</sup>	[L] 1.951 in	0.488 in	15-250 psi	Steam	I
3-4 NPS	4 NPS	3.774 in	[M] 2.192 in	0.548 in	15-250 psi	Air	VIII Div. 1
3-4 NPS	4 NPS	3.774 in	[M] 2.192 in	0.548 in	15-250 psi	Steam	VIII Div. 1
3-4 NPS	4 NPS	3.774 in	[M] 2.192 in	0.548 in	15-250 psi	Steam	I
4 NPS	6 NPS	4.55 in <sup>2</sup>	[N] 2.407 in	0.602 in	15-250 psi	Air	VIII Div. 1
4 NPS	6 NPS	4.55 in <sup>2</sup>	[N] 2.407 in	0.602 in	15-250 psi	Steam	VIII Div. 1
4 NPS	6 NPS	4.55 in <sup>2</sup>	[N] 2.407 in	0.602 in	15-250 psi	Steam	I
4 NPS	6 NPS	6.692 in	[P] 2.919 in	0.73 in	15-250 psi	Air	VIII Div. 1
4 NPS	6 NPS	6.692 in	[P] 2.919 in	0.73 in	15-250 psi	Steam	VIII Div. 1
4 NPS	6 NPS	6.692 in	[P] 2.919 in	0.73 in	15-250 psi	Steam	I
6 NPS	8 NPS	11.593 in	[Q] 3.842 in	0.961 in	15-250 psi	Air	VIII Div. 1
6 NPS	8 NPS	11.593 in	[Q] 3.842 in	0.961 in	15-250 psi	Steam	VIII Div. 1
6 NPS	8 NPS	11.593 in	[Q] 3.842 in	0.961 in	15-250 psi	Steam	I
6 NPS	8 NPS	16.786 in	[R] 4.623 in	1.156 in	15-250 psi	Air	VIII Div. 1
6 NPS	8 NPS	16.786 in	[R] 4.623 in	1.156 in	15-250 psi	Steam	VIII Div. 1
6 NPS	8 NPS	16.786 in	[R] 4.623 in	1.156 in	15-250 psi	Steam	I

Design Name: 12-205 (RVS12) NBCert # 11114

Manufacturer/Assembler	Code Sections	Expiration Date
Manufacturer	IV	11/16/2026

**Design Type**

[Safety Valve] 12-205 (RVS12)  
Capacity Tests: Sec. IV at Ohio State University (Robinson Laboratory) on April 26, 1964  
Method of Establishing Relieving Capacity: Flow Capacity, 3 valve average  
Certified Value:2500.0 PPH  
Media - Test: Steam; Certified: Steam  
Set Pressure Definition: Pop  
Blowdown Characteristics: Fixed  
Designed by: Aalberts Integrated Piping Systems Americas, Inc. {CNB}

Inlet Size	Outlet Size	Flow Area	Orifice [designator] dia.	Lift	Set Pressure Range	Media	Code Section
2 NPS	2 NPS	2.761 in <sup>2</sup>	1.875 in	0.64 in	15-15 psi	Steam	IV

Design Name: 12-206 (RVS12) NBCert # 11125

Manufacturer/Assembler	Code Sections	Expiration Date
------------------------	---------------	-----------------

Manufacturer IV 07/23/2024

**Design Type**

[Safety Valve] 12-206 (RVS12)  
 Capacity Tests: Sec. IV at Ohio State University (Robinson Laboratory) on September 8, 1963  
 Method of Establishing Relieving Capacity: Flow Capacity, 3 valve average  
 Certified Value:3529.0 PPH  
 Media - Test: Steam; Certified: Steam  
 Set Pressure Definition: Pop  
 Blowdown Characteristics: Fixed  
 Designed by: Aalberts Integrated Piping Systems Americas, Inc. {CNB}

Inlet Size	Outlet Size	Flow Area	Orifice [designator] dia.	Lift	Set Pressure Range	Media	Code Section
2.5 NPS	2.5 NPS	3.976 in <sup>2</sup>	2.25 in	0.56 in	15-15 psi	Steam	IV

Design Name: 12-208 (RVS12) NBCert # 11136

Manufacturer/Assembler	Code Sections	Expiration Date
------------------------	---------------	-----------------

Manufacturer IV 11/16/2026

**Design Type**

[Safety Valve] 12-208 (RVS12)  
 Capacity Tests: Sec. IV at National Board Testing Lab (Picaway) on September 5, 1979  
 Method of Establishing Relieving Capacity: Flow Capacity, 3 valve average  
 Certified Value:4100.0 PPH  
 Media - Test: Steam; Certified: Steam  
 Set Pressure Definition: Pop  
 Blowdown Characteristics: Fixed  
 Designed by: Aalberts Integrated Piping Systems Americas, Inc. {CNB}

Inlet Size	Outlet Size	Flow Area	Orifice [designator] dia.	Lift	Set Pressure Range	Media	Code Section
3 NPS	3 NPS	6.56 in <sup>2</sup>	2.89 in	0.42 in	15-15 psi	Steam	IV

Design Name: 13-101 (RVS13T) NBCert # 11147

Manufacturer/Assembler	Code Sections	Expiration Date
------------------------	---------------	-----------------

Manufacturer IV 11/17/2026

**Design Type**

[Safety Valve] 13-101 (RVS13T)  
 Capacity Tests: Sec. IV at Ohio State University (Robinson Laboratory) on August 27, 1961  
 Method of Establishing Relieving Capacity: Flow Capacity, 3 valve average  
 Certified Value:410.00 PPH  
 Media - Test: Steam; Certified: Steam  
 Set Pressure Definition: Pop  
 Blowdown Characteristics: Fixed  
 Designed by: Aalberts Integrated Piping Systems Americas, Inc. {CNB}

Inlet Size	Outlet Size	Flow Area	Orifice [designator] dia.	Lift	Set Pressure Range	Media	Code Section
0.75 NPS		0.442 in <sup>2</sup>	0.75 in	0.21 in	15-15 psi	Steam	IV



Design Name: 13-202 (RVS13) NBCert # 11169

Manufacturer/Assembler	Code Sections	Expiration Date
Manufacturer	IV	03/24/2027

**Design Type**

[Safety Valve] 13-202 (RVS13)  
Capacity Tests: Sec. IV at Ohio State University (Robinson Laboratory) on June 19, 1962  
Method of Establishing Relieving Capacity: Flow Capacity, 3 valve average  
Certified Value:643.00 PPH  
Media - Test: Steam; Certified: Steam  
Set Pressure Definition: Pop  
Blowdown Characteristics: Fixed  
Designed by: Aalberts Integrated Piping Systems Americas, Inc. {CNB}

Inlet Size	Outlet Size	Flow Area	Orifice [designator] dia.	Lift	Set Pressure Range	Media	Code Section
1 NPS	1 NPS	0.442 in <sup>2</sup>	0.75 in	0.37 in	15-15 psi	Steam	IV

Design Name: 13-211 (RVS13) NBCert # 11170

Manufacturer/Assembler	Code Sections	Expiration Date
Manufacturer	IV	06/21/2026

**Design Type**

[Safety Valve] 13-211 (RVS13)  
Capacity Tests: Sec. IV at National Board Testing Lab (Picaway) on June 13, 1984  
Method of Establishing Relieving Capacity: Flow Capacity, 3 valve average  
Certified Value:475.00 PPH  
Media - Test: Steam; Certified: Steam  
Set Pressure Definition: Pop  
Blowdown Characteristics: Fixed  
Designed by: Aalberts Integrated Piping Systems Americas, Inc. {CNB}

Inlet Size	Outlet Size	Flow Area	Orifice [designator] dia.	Lift	Set Pressure Range	Media	Code Section
0.75 NPS	0.75 NPS	0.442 in <sup>2</sup>	0.75 in	0.244 in	15-0 psi	Steam	IV

Design Name: 13-213 (RVS13) NBCert # 11181

Manufacturer/Assembler	Code Sections	Expiration Date
Manufacturer	IV	11/17/2024

**Design Type**

[Safety Valve] 13-213 (RVS13)  
Capacity Tests: Sec. IV at National Board Testing Lab (Picaway) on May 13, 1973  
Method of Establishing Relieving Capacity: Flow Capacity, 3 valve average  
Certified Value:1200.0 PPH  
Media - Test: Steam; Certified: Steam  
Set Pressure Definition: Pop  
Blowdown Characteristics: Fixed  
Designed by: Aalberts Integrated Piping Systems Americas, Inc. {CNB}

Inlet Size	Outlet Size	Flow Area	Orifice [designator] dia.	Lift	Set Pressure Range	Media	Code Section
1.25 NPS	1.5 NPS	0.785 in <sup>2</sup>	1 in	0.57 in	15-15 psi	Steam	IV

Design Name: 13-214 (RVS13) NBCert # 11192

Manufacturer/Assembler	Code Sections	Expiration Date
Manufacturer	IV	11/17/2024

**Design Type**

[Safety Valve] 13-214 (RVS13)  
Capacity Tests: Sec. IV at National Board Testing Lab (Picaway) on May 13, 1973  
Method of Establishing Relieving Capacity: Flow Capacity, 3 valve average  
Certified Value:1900.0 PPH  
Media - Test: Steam; Certified: Steam  
Set Pressure Definition: Pop  
Blowdown Characteristics: Fixed  
Designed by: Aalberts Integrated Piping Systems Americas, Inc. {CNB}

Inlet Size	Outlet Size	Flow Area	Orifice [designator] dia.	Lift	Set Pressure Range	Media	Code Section
1.5 NPS	2 NPS	1.227 in <sup>2</sup>	1.25 in	0.79 in	15-15 psi	Steam	IV

Design Name: 13-511/512 (RVS13L) NBCert # 11350

Manufacturer/Assembler	Code Sections	Expiration Date
Manufacturer	IV	04/16/2023

**Design Type**

[Safety Valve] 13-511/512 (RVS13L)  
Capacity Tests: Sec. IV at National Board Testing Lab (Picaway) on October 2, 1990  
Method of Establishing Relieving Capacity: Flow Capacity, 3 valve average  
Certified Value:407.00 PPH  
Media - Test: Steam; Certified: Steam  
Set Pressure Definition: Pop  
Blowdown Characteristics: Fixed  
Designed by: Aalberts Integrated Piping Systems Americas, Inc. {CNB}

Inlet Size	Outlet Size	Flow Area	Orifice [designator] dia.	Lift	Set Pressure Range	Media	Code Section
0.75 NPS	.75 NPS	0.272 in <sup>2</sup>	0.588 in	0.147 in	15-15 psi	Steam	IV

Design Name: 14-205 (RVS14) NBCert # 11215

Manufacturer/Assembler	Code Sections	Expiration Date
Manufacturer	IV	11/16/2026

**Design Type**

[Safety Valve] 14-205 (RVS14)  
Capacity Tests: Sec. IV at Ohio State University (Robinson Laboratory) on January 29, 1965  
Method of Establishing Relieving Capacity: Flow Capacity, 3 valve average  
Certified Value:3150.0 PPH  
Media - Test: Steam; Certified: Steam  
Set Pressure Definition: Pop  
Blowdown Characteristics: Fixed  
Designed by: Aalberts Integrated Piping Systems Americas, Inc. {CNB}

Inlet Size	Outlet Size	Flow Area	Orifice [designator] dia.	Lift	Set Pressure Range	Media	Code Section
2 NPS	2 NPS	2.238 in <sup>2</sup>	1.688 in	0.83 in	15-15 psi	Steam	IV

Design Name: 14-206 (RVS14) NBCert # 11226

Manufacturer/Assembler	Code Sections	Expiration Date
------------------------	---------------	-----------------

Manufacturer IV 04/16/2023

**Design Type**

[Safety Valve] 14-206 (RVS14)  
 Capacity Tests: Sec. IV at Ohio State University (Robinson Laboratory) on January 2, 1965  
 Method of Establishing Relieving Capacity: Flow Capacity, 3 valve average  
 Certified Value:4676.0 PPH  
 Media - Test: Steam; Certified: Steam  
 Set Pressure Definition: Pop  
 Blowdown Characteristics: Fixed  
 Designed by: Aalberts Integrated Piping Systems Americas, Inc. {CNB}

Inlet Size	Outlet Size	Flow Area	Orifice [designator] dia.	Lift	Set Pressure Range	Media	Code Section
2.5 NPS	2.5 NPS	3.339 in <sup>2</sup>	2.062 in	0.52 in	15-15 psi	Steam	IV

Design Name: 14-207 (RVS14) NBCert # 11237

Manufacturer/Assembler	Code Sections	Expiration Date
------------------------	---------------	-----------------

Manufacturer IV 02/09/2026

**Design Type**

[Safety Valve] 14-207 (RVS14)  
 Capacity Tests: Sec. IV at Ohio State University (Robinson Laboratory) on January 29, 1965  
 Method of Establishing Relieving Capacity: Flow Capacity, 3 valve average  
 Certified Value:6843.0 PPH  
 Media - Test: Steam; Certified: Steam  
 Set Pressure Definition: Pop  
 Blowdown Characteristics: Fixed  
 Designed by: Aalberts Integrated Piping Systems Americas, Inc. {CNB}

Inlet Size	Outlet Size	Flow Area	Orifice [designator] dia.	Lift	Set Pressure Range	Media	Code Section
3-3 NPS	3 NPS	5.155 in <sup>2</sup>	2.562 in	0.64 in	15-15 psi	Steam	IV

Design Name: 15-112 (RVA15) NBCert # 11248

Manufacturer/Assembler	Code Sections	Expiration Date
------------------------	---------------	-----------------

Manufacturer VIII Div. 1 07/31/2024

**Design Type**

[Safety Relief Valve] 15-112 (RVA15)  
 Capacity Tests: Sec. VIII Div. 1 at National Board Testing Lab (Picaway) on April 17, 1975  
 Method of Establishing Relieving Capacity: Flow Capacity, Slope  
 Certified Value: 0.738 SCFM/PSIA  
 Media - Test: Air/Gas; Certified: Air, Gas  
 Set Pressure Definition: Pop  
 Blowdown Characteristics: Fixed  
 Designed by: Aalberts Integrated Piping Systems Americas, Inc. {CNB}

Inlet Size	Outlet Size	Flow Area	Orifice [designator] dia.	Lift	Set Pressure Range	Media	Code Section
0.25 NPS			0.265 in		15-250 psi	Air	VIII Div. 1



Design Name: 15-115/117 (RVA15) NBCert # 11259

Manufacturer/Assembler	Code Sections	Expiration Date
Manufacturer	VIII Div. 1	10/02/2022

**Design Type**

[Safety Relief Valve] 15-115/117 (RVA15)  
Capacity Tests: Sec. VIII Div. 1 at National Board Testing Lab (Picaway) on September 6, 1979  
Method of Establishing Relieving Capacity: Flow Capacity, Slope  
Certified Value: 1.849 SCFM/PSIA  
Media - Test: Air/Gas; Certified: Air, Gas  
Set Pressure Definition: Pop  
Blowdown Characteristics: Fixed  
Designed by: Aalberts Integrated Piping Systems Americas, Inc. {CNB}

Inlet Size	Outlet Size	Flow Area	Orifice [designator] dia.	Lift	Set Pressure Range	Media	Code Section
0.375-0.5 NPS		0.145 in <sup>2</sup>	0.43 in		15-250 psi	Air	VIII Div. 1

Design Name: 15-118 (RVA15) NBCert # 11372

Manufacturer/Assembler	Code Sections	Expiration Date
Manufacturer	VIII Div. 1	08/28/2025

**Design Type**

[Safety Relief Valve] 15-118 (RVA15)  
Capacity Tests: Sec. VIII Div. 1 at National Board Testing Lab on November 5, 1997  
Method of Establishing Relieving Capacity: Flow Capacity, Slope  
Certified Value: 3.280 SCFM/PSIA  
Media - Test: Air/Gas; Certified: Air, Gas  
Set Pressure Definition: Pop  
Blowdown Characteristics: Fixed  
Designed by: Aalberts Integrated Piping Systems Americas, Inc. {CNB}

Inlet Size	Outlet Size	Flow Area	Orifice [designator] dia.	Lift	Set Pressure Range	Media	Code Section
0.75 NPS		0.219 in <sup>2</sup>	0.528 in	0.132 in	15-250 psi	Air	VIII Div. 1

Design Name: 15-119 (RVA15) NBCert # 11383

Manufacturer/Assembler	Code Sections	Expiration Date
Manufacturer	VIII Div. 1	10/23/2025

**Design Type**

[Safety Relief Valve] 15-119 (RVA15)  
Capacity Tests: Sec. VIII Div. 1 at National Board Testing Lab on November 5, 1997  
Method of Establishing Relieving Capacity: Flow Capacity, Slope  
Certified Value: 6.780 SCFM/PSIA  
Media - Test: Air/Gas; Certified: Air, Gas  
Set Pressure Definition: Pop  
Blowdown Characteristics: Fixed  
Designed by: Aalberts Integrated Piping Systems Americas, Inc. {CNB}

Inlet Size	Outlet Size	Flow Area	Orifice [designator] dia.	Lift	Set Pressure Range	Media	Code Section
1 NPS		0.458 in <sup>2</sup>	0.764 in	0.191 in	15-250 psi	Air	VIII Div. 1

Design Name: 17-402 (RVW17) NBCert # 11440

Manufacturer/Assembler	Code Sections	Expiration Date
------------------------	---------------	-----------------

Manufacturer IV 03/06/2027

**Design Type**

[Safety Relief Valve] 17-402 (RVW17)  
 Capacity Tests: Sec. IV at National Board Testing Lab on March 2, 1999  
 Method of Establishing Relieving Capacity: Flow Capacity, Slope  
 Certified Value: 5.200 PPH/PSIA  
 Media - Test: Steam; Certified: Saturated Water  
 Set Pressure Definition: Pop  
 Blowdown Characteristics: Fixed  
 Designed by: Aalberts Integrated Piping Systems Americas, Inc. {CNB}

Inlet Size	Outlet Size	Flow Area	Orifice [designator] dia.	Lift	Set Pressure Range	Media	Code Section
0.75 NPS	0.75 NPS	0.173 in <sup>2</sup>	0.47 in	0.117 in	75-150 psi	Steam	IV

Design Name: 19 Series NBCert # 11282

Manufacturer/Assembler	Code Sections	Expiration Date
------------------------	---------------	-----------------

Manufacturer I, VIII Div. 1 11/13/2023

**Design Type**

[Safety Valve] 19 Series  
 Capacity Tests: Sec. I, VIII Div. 1 at National Board Testing Lab (Picaway) on March 27, 1980  
 Method of Establishing Relieving Capacity: Flow Capacity, K  
 Certified Value: 0.826 Unitless  
 Media - Test: Steam; Certified: Air, Gas, Steam  
 Set Pressure Definition: Pop  
 Blowdown Characteristics: Adjustable (Dual Ring)  
 Designed by: Aalberts Integrated Piping Systems Americas, Inc. {CNB}

Inlet Size	Outlet Size	Flow Area	Orifice [designator] dia.	Lift	Set Pressure Range	Media	Code Section
0.5-0.75 NPS	.75 NPS	0.129 in <sup>2</sup>	[D] 0.406 in	0.101 in	15-300 psi	Air	VIII Div. 1
0.5-0.75 NPS	.75 NPS	0.129 in <sup>2</sup>	[D] 0.406 in	0.101 in	15-300 psi	Steam	I, VIII Div. 1
0.75-1 NPS	1 NPS	0.23 in <sup>2</sup>	[E] 0.541 in	0.135 in	15-300 psi	Air	VIII Div. 1
0.75-1 NPS	1 NPS	0.23 in <sup>2</sup>	[E] 0.541 in	0.135 in	15-300 psi	Steam	I, VIII Div. 1
1-1.25 NPS	1.25 NPS	0.359 in <sup>2</sup>	[F] 0.676 in	0.169 in	15-300 psi	Air	VIII Div. 1
1-1.25 NPS	1.25 NPS	0.359 in <sup>2</sup>	[F] 0.676 in	0.169 in	15-300 psi	Steam	I, VIII Div. 1
1.25-1.5 NPS	1.5 NPS	0.589 in <sup>2</sup>	[G] 0.866 in	0.217 in	15-300 psi	Air	VIII Div. 1
1.25-1.5 NPS	1.5 NPS	0.589 in <sup>2</sup>	[G] 0.866 in	0.217 in	15-300 psi	Steam	I, VIII Div. 1
1.5-2 NPS	2 NPS	0.919 in <sup>2</sup>	[H] 1.082 in	0.271 in	15-300 psi	Air	VIII Div. 1
1.5-2 NPS	2 NPS	0.919 in <sup>2</sup>	[H] 1.082 in	0.271 in	15-300 psi	Steam	I, VIII Div. 1
1.5-2.5 NPS	2.5 NPS	1.509 in <sup>2</sup>	[J] 1.386 in	0.347 in	15-300 psi	Air	VIII Div. 1
1.5-2.5 NPS	2.5 NPS	1.509 in <sup>2</sup>	[J] 1.386 in	0.347 in	15-300 psi	Steam	I, VIII Div. 1

Design Name: 29-102, 29-202, 29-302 NBCert # 11293

Manufacturer/Assembler	Code Sections	Expiration Date
------------------------	---------------	-----------------

Manufacturer I, VIII Div. 1 11/17/2024

**Design Type**

[Safety Valve] 29-102, 29-202, 29-302  
 Capacity Tests: Sec. I, VIII Div. 1 at National Board Testing Lab (Picaway) on November 30, 1982  
 Method of Establishing Relieving Capacity: Flow Capacity, Slope  
 Certified Value: 3.596 PPH/PSIA; (alternate medium): 1.280 SCFM/PSIA  
 Media - Test: Steam; Certified: Air, Gas, Steam  
 Set Pressure Definition: Pop  
 Blowdown Characteristics: Adjustable  
 Designed by: Aalberts Integrated Piping Systems Americas, Inc. {CNB}

Inlet Size	Outlet Size	Flow Area	Orifice [designator] dia.	Lift	Set Pressure Range	Media	Code Section
0.375-0.75 NPS	1 NPS	0.196 in <sup>2</sup>	0.5 in	0.058 in	30-205 psi	Air	VIII Div. 1
0.375-0.75 NPS	1 NPS	0.196 in <sup>2</sup>	0.5 in	0.058 in	30-205 psi	Steam	I
0.375-0.75 NPS	1 NPS	0.196 in <sup>2</sup>	0.5 in	0.058 in	30-205 psi	Steam	VIII Div. 1

Design Name: 29-303, 29-402, 29-501 NBCert # 11305

Manufacturer/Assembler	Code Sections	Expiration Date
Manufacturer	I, VIII Div. 1	07/31/2024

**Design Type**

[Safety Valve] 29-303, 29-402, 29-501  
 Capacity Tests: Sec. I, VIII Div. 1 at National Board Testing Lab (Picaway) on February 14, 1983  
 Method of Establishing Relieving Capacity: Flow Capacity, Slope  
 Certified Value: 7.230 PPH/PSIA; (alternate medium): 2.570 SCFM/PSIA  
 Media - Test: Steam; Certified: Air, Gas, Steam  
 Set Pressure Definition: Pop  
 Blowdown Characteristics: Adjustable  
 Designed by: Aalberts Integrated Piping Systems Americas, Inc. {CNB}

Inlet Size	Outlet Size	Flow Area	Orifice [designator] dia.	Lift	Set Pressure Range	Media	Code Section
0.75-1.25 NPS	1.25 NPS	0.203 in <sup>2</sup>	0.737 in	0.08 in	30-210 psi	Air	VIII Div. 1
0.75-1.25 NPS	1.25 NPS	0.203 in <sup>2</sup>	0.737 in	0.08 in	30-210 psi	Steam	I
0.75-1.25 NPS	1.25 NPS	0.203 in <sup>2</sup>	0.737 in	0.08 in	30-210 psi	Steam	VIII Div. 1

Design Name: 500 Series NBCert # 11462

Manufacturer/Assembler	Code Sections	Expiration Date
Manufacturer	VIII Div. 1	12/05/2027

**Design Type**

[Safety Valve] 500 Series  
 Capacity Tests: Sec. VIII Div. 1 at National Board Testing Lab on June 12, 2000  
 Method of Establishing Relieving Capacity: Flow Capacity, K  
 Certified Value: 0.861 Unitless  
 Media - Test: Air/Gas, Steam; Certified: Air, Gas, Steam  
 Set Pressure Definition: Pop  
 Blowdown Characteristics: Adjustable (Single Ring)  
 Designed by: Aalberts Integrated Piping Systems Americas, Inc. {CNB}

Inlet Size	Outlet Size	Flow Area	Orifice [designator] dia.	Lift	Set Pressure Range	Media	Code Section
0.5-0.75 NPS	.75, 1 NPS	0.129 in <sup>2</sup>	[D] 0.406 in	0.102 in	15-2000 psi	Air	VIII Div. 1
0.5-0.75 NPS	.75, 1 NPS	0.129 in <sup>2</sup>	[D] 0.406 in	0.102 in	15-2000 psi	Steam	VIII Div. 1
0.75-1 NPS	1.25 NPS	0.229 in <sup>2</sup>	[E] 0.539 in	0.135 in	15-2000 psi	Air	VIII Div. 1



0.75-1 NPS	1.25 NPS	0.229 in <sup>2</sup>	[E] 0.539 in	0.135 in	15-2000 psi	Steam	VIII Div. 1
1-1.25 NPS	1.5 NPS	0.359 in <sup>2</sup>	[F] 0.676 in	0.169 in	15-2000 psi	Air	VIII Div. 1
1-1.25 NPS	1.5 NPS	0.359 in <sup>2</sup>	[F] 0.676 in	0.169 in	15-2000 psi	Steam	VIII Div. 1
1.25-1.5 NPS	2 NPS	0.589 in <sup>2</sup>	[G] 0.866 in	0.217 in	15-2000 psi	Air	VIII Div. 1
1.25-1.5 NPS	2 NPS	0.589 in <sup>2</sup>	[G] 0.866 in	0.217 in	15-2000 psi	Steam	VIII Div. 1
1.5-2 NPS	2.5 NPS	0.919 in <sup>2</sup>	[H] 1.082 in	0.271 in	15-2000 psi	Air	VIII Div. 1
1.5-2 NPS	2.5 NPS	0.919 in <sup>2</sup>	[H] 1.082 in	0.271 in	15-2000 psi	Steam	VIII Div. 1
2 NPS	3 NPS	1.504 in <sup>2</sup>	[J] 1.384 in	0.346 in	15-2000 psi	Air	VIII Div. 1
2 NPS	3 NPS	1.504 in <sup>2</sup>	[J] 1.384 in	0.346 in	15-2000 psi	Steam	VIII Div. 1

Design Name: 500 Series (Liquids) NBCert # 11473

Manufacturer/Assembler	Code Sections	Expiration Date
Manufacturer	VIII Div. 1	07/31/2027

**Design Type**

[Safety Relief Valve] 500 Series (Liquids)  
Capacity Tests: Sec. VIII Div. 1 at National Board Testing Lab on February 25, 2000  
Method of Establishing Relieving Capacity: Flow Capacity, K  
Certified Value: 0.689 Unitless  
Media - Test: Water/Liquid; Certified: Liquid  
Set Pressure Definition: First Steady Stream  
Blowdown Characteristics: Fixed  
Designed by: Aalberts Integrated Piping Systems Americas, Inc. {CNB}

Inlet Size	Outlet Size	Flow Area	Orifice [designator] dia.	Lift	Set Pressure Range	Media	Code Section
0.5-0.75 NPS	.75, 1 NPS	0.129 in <sup>2</sup>	[D] 0.406 in	0.102 in	15-1000 psi	Water	VIII Div. 1
0.75-1 NPS	1.25 NPS	0.229 in <sup>2</sup>	[E] 0.539 in	0.135 in	15-1000 psi	Water	VIII Div. 1
1-1.25 NPS	1.5 NPS	0.359 in <sup>2</sup>	[F] 0.676 in	0.169 in	15-1000 psi	Water	VIII Div. 1
1.25-1.5 NPS	2 NPS	0.589 in <sup>2</sup>	[G] 0.866 in	0.217 in	15-1000 psi	Water	VIII Div. 1
1.5-2 NPS	2.5 NPS	0.919 in <sup>2</sup>	[H] 1.082 in	0.271 in	15-1000 psi	Water	VIII Div. 1
2 NPS	3 NPS	1.504 in <sup>2</sup>	[J] 1.384 in	0.346 in	15-1000 psi	Water	VIII Div. 1

Pressure Relief Valves

2022-03487  
**ABSA**  
 SAFETY CODES ACT - PROVINCE OF ALBERTA  
**ACCEPTED: 0G08547.52**  
 See acceptance letter for conditions of registration.  
 Date: 2022-07-06 By: *Zana Radisavljevic*  
 ZANA RADISAVLJEVIC, P. Tech. (Eng. Prof. 0000313)

This stamp and signature have been affixed electronically to this registered design as required by Section 20(1) of the Pressure Equipment Safety Regulation, in accordance with the Electronic Transactions Act.

10-100	E-3, E-4
10-300	E-3, E-4
10-400	E-3, E-4
10-624	E-3, E-4
10-634	E-3, E-4
10-322	E-5, E-6
10-512	E-5, E-6
10-600	E-7 - E-9
12-200	E-10, E-13
13-100	E-11, E-13
13-200	E-11, E-13
13-500	E-11, E-13
14-200	E-12, E-13
14-400	E-14 - E17
14-500	E-14 - E17
14-600	E-15 - E-17
15-100	E-18, E-19
16-200	E-20
16LF-200	E-20
16-500	E-21
16LF-500	E-21
17-400	E-22
18C-400	E-23
18C-500	E-24
19	E-25 - E-29
29	E-30 - E-34
119	E-35 - E-39
DPE	E-40
500	E-41 - E-46
<b>CONVERSION/CORRECTION FACTORS</b>	
	E-47 - E48



section E

## PRESSURE RELIEF VALVE SELECTION CHART

MODEL	MATERIAL BODY / TRIM	INLET SIZES MIN / MAX IN.	INLET SIZES MIN / MAX MM	CONNECTIONS		CE/PED AVAILABLE	SET PRESSURES MIN / MAX PSIG	SET PRESSURES MIN / MAX BARG	TEMPERATURE MAX °F	TEMPERATURE MAX °C
				NPT	FLANGED					
<b>ASME SECTION I - STEAM POWER BOILERS</b>										
19M	Bronze / Brass	1/2 - 2-1/2	DN 15 - 65	X		X	15 - 250	1.0 - 17.2	406°F	207.7°C
19K	Bronze / Brass	1/2 - 2-1/2	DN 15 - 65	X		X	15 - 250	1.0 - 17.2	406°F	207.7°C
19L	Bronze / Stainless	1/2 - 2-1/2	DN 15 - 65	X		X	15 - 250	1.0 - 17.2	406°F	207.7°C
19S	Bronze / Stainless	1/2 - 2-1/2	DN 15 - 65	X		X	15 - 300	1.0 - 20.7	422°F	216.7°C
29	Bronze / Brass	3/8 - 1-1/4	DN 10 - 32	X		X	30 - 200	2.0 - 13.8	406°F	207.7°C
119	Cast Iron / Stainless	1-1/2 - 6	DN 40 - 150	X	X	X	15 - 250	1.0 - 17.2	450°F	232.2°C
<b>ASME SECTION IV - LOW PRESSURE STEAM HEATING BOILERS</b>										
12	Bronze / Brass	2 - 3	DN 50 - 80	X			5 - 15	0.34 - 1.0	250°F	121.1°C
13-101	Bronze / Brass	3/4	DN 20	X			5 - 15	0.34 - 1.0	250°F	121.1°C
13-202	Bronze / Brass	1	DN 25	X			5 - 15	0.34 - 1.0	250°F	121.1°C
13-211	Bronze / Brass	3/4	DN 20	X			5 - 15	0.34 - 1.0	250°F	121.1°C
13-213	Bronze / Brass	1-1/4	DN 32	X			5 - 15	0.34 - 1.0	250°F	121.1°C
13-214	Bronze / Brass	1-1/2	DN 40	X			5 - 15	0.34 - 1.0	250°F	121.1°C
13-510	Bronze / Brass	3/4	DN 20	X			5 - 15	0.34 - 1.0	250°F	121.1°C
14-200	Bronze / Brass	2 - 3	DN 50 - 80	X			5 - 15	0.34 - 1.0	250°F	121.1°C
<b>ASME SECTION IV - HOT WATER HEATING &amp; SUPPLY BOILERS</b>										
10-100	Bronze / Brass	3/4	DN 20	X			20 - 65	1.4 - 4.5	250°F	121.1°C
10-300	Bronze / Brass	3/4	DN 20	X			20 - 65	1.4 - 4.5	250°F	121.1°C
10-400	Bronze / Brass	3/4	DN 20	X			30	2.0	250°F	121.1°C
10-410	Bronze / Brass	3/4	DN 20	X			20 - 80	1.4 - 5.5	250°F	121.1°C
10-600, 10-610	Bronze / Brass	3/4 - 2	DN 20 - 50	X		X	15 - 160	1.0 - 11.0	250°F	121.1°C
10-624, 10-634	Bronze / Brass	3/4	DN 20	X			30 - 150	2.0 - 10.3	250°F	121.1°C
17-401	Bronze / Brass	1/2	DN 15	X			75 - 160	5.2 - 11.0	250°F	121.1°C
17-402	Bronze / Brass	3/4	DN 20	X			75 - 150	5.2 - 10.3	250°F	121.1°C
18C-400	Bronze / Brass	1/2 - 3/4	DN 15 - 20	X			125 - 175	8.61 - 12.1	210°F	98.9°C
18C-500	Bronze / Stainless	3/4 - 2	DN 20 - 50	X			75 - 150	5.2 - 10.3	210°F	98.9°C
<b>ASME SECTION VIII AIR / GASES</b>										
15	Brass	1/4 - 1	DN 8 - 25	X		X	15 - 250	1.0 - 17.2	325°F	162.8°C
19M	Bronze / Brass	1/2 - 2-1/2	DN 15 - 65	X		X	8 - 300	0.55 - 20.7	406°F	207.7°C
19K	Bronze / Brass	1/2 - 2-1/2	DN 15 - 65	X		X	15 - 300	1.0 - 20.7	406°F	207.7°C
19L	Bronze / Stainless	1/2 - 2-1/2	DN 15 - 65	X		X	15 - 300	1.0 - 20.7	406°F	207.7°C
19S	Bronze / Stainless	1/2 - 2-1/2	DN 15 - 65	X		X	8 - 300	0.55 - 20.7	422°F	216.7°C
29	Bronze / Brass	3/8 - 1-1/4	DN 10 - 32	X		X	30 - 200	2.0 - 13.8	406°F	207.7°C
119	Cast Iron / Stainless	1-1/2 - 6	DN 40 - 150	X	X	X	8 - 250	0.55 - 17.2	450°F	232.2°C
510	Bronze / Brass	1/2 - 2	DN 15 - 50	X		X	8 - 300	0.55 - 20.7	406°F	207.7°C
520	Bronze / Stainless	1/2 - 2	DN 15 - 50	X		X	8 - 1200	0.55 - 82.7	422°F	216.7°C
530	Steel / Stainless	1/2 - 2	DN 15 - 50	X	X	X	8 - 1200	0.55 - 82.7	800°F	426.7°C
540	Stainless / Stainless	1/2 - 2	DN 15 - 50	X	X	X	8 - 1200	0.55 - 82.7	800°F	426.7°C
<b>ASME SECTION VIII STEAM</b>										
10-322	Brass	3/4	DN 20	X		X	15 - 60	1.0 - 4.1	325°F	162.8°C
10-512	Brass	1/2	DN 15	X		X	9 - 60	0.62 - 4.1	325°F	162.8°C
19M	Bronze / Brass	1/2 - 2-1/2	DN 15 - 65	X		X	8 - 250	0.55 - 17.2	406°F	207.7°C
19K	Bronze / Brass	1/2 - 2-1/2	DN 15 - 65	X		X	15 - 250	1.0 - 17.2	406°F	207.7°C
19L	Bronze / Stainless	1/2 - 2-1/2	DN 15 - 65	X		X	15 - 250	1.0 - 17.2	406°F	207.7°C
19S	Bronze / Stainless	1/2 - 2-1/2	DN 15 - 65	X		X	8 - 300	0.55 - 20.7	422°F	216.7°C
29	Bronze / Brass	3/8 - 1-1/4	DN 10 - 32	X		X	30 - 200	2.0 - 13.8	406°F	207.7°C
119	Cast Iron / Stainless	1-1/2 - 6	DN 40 - 150	X	X	X	8 - 250	0.55 - 17.2	450°F	232.2°C
510	Bronze / Brass	1/2 - 2	DN 15 - 50	X		X	8 - 250	0.55 - 17.2	406°F	207.7°C
520	Bronze / Stainless	1/2 - 2	DN 15 - 50	X		X	8 - 300	0.55 - 20.7	422°F	216.7°C
530	Steel / Stainless	1/2 - 2	DN 15 - 50	X	X	X	8 - 900	0.55 - 62.1	800°F	426.7°C
540	Stainless / Stainless	1/2 - 2	DN 15 - 50	X	X	X	8 - 900	0.55 - 62.1	800°F	426.7°C
<b>ASME SECTION VIII LIQUID</b>										
510	Bronze / Brass	1/2 - 2	DN 15 - 50	X		X	8 - 300	0.55 - 20.7	406°F	207.7°C
520	Bronze / Stainless	1/2 - 2	DN 15 - 50	X		X	8 - 1200	0.55 - 82.7	422°F	216.7°C
530	CS / Stainless	1/2 - 2	DN 15 - 50	X	X	X	8 - 1200	0.55 - 82.7	800°F	426.7°C
540	Stainless / Stainless	1/2 - 2	DN 15 - 50	X	X	X	8 - 1200	0.55 - 82.7	800°F	426.7°C
<b>NON-CODE, VACUUM &amp; MISCELLANEOUS PRODUCTS</b>										
14-400, 14-500	Low Pressure Air	2 - 3	DN 50 - 80	X			4 - 22	0.3 - 1.52	400°F	204.4°C
14-600	Vacuum Relief	2 - 3	DN 50 - 80	X			8 - 30 HG	203 - 762 MM HG	400°F	204.4°C
16-200/16LF-200	Liquids	1/2	DN 15	X			30 - 80	2.1 - 12.4	120°F	48.9°C
16-501	Adj. Liquid Bypass	1/2	DN 15	X			50 - 600	0 - 41.4	200°F	93.3°C
16-503, 16-504/16LF	Calibrated Liquid Relief	1/2 - 3/4	DN 15 - 20	X			50 - 175	3.4 - 12.1	200°F	93.3°C
Drip Pan Elbows	Steam Discharge	3/4 - 8	DN 20 - 200	X	X		N/A	N/A	450°F	232.2°C

SAFETY RELIEF VALVES



**10 SERIES**  
HOT WATER BOILER SAFETY RELIEF VALVES



Brass/bronze pressure relief valves protect ASME Section IV hot water heating boilers and hydronic heating systems. High capacity design features corrosion resistant construction. Brass, satin or polished chrome finishes available.

**ASME SECTION IV**

- Inlet Size 3/4" - Outlet - 3/4" & 1"
- Factory Set Pressure 20-150 psi
- Maximum Temperature Service: 250°F

**APPLICATIONS**

- Ideal for Use With Hot Water Boilers and Hydronic Heating Systems

**FEATURES**

- Pressures From 20 to 150 psig
- Registered in all Canadian Provinces and Territories, CRN #0G8547.5C
- Stainless Steel Springs Standard
- 10-624/634 are Ideal for Use in Various Plumbing Systems, Commercial Boiler Applications and Swimming Pool Heaters
- 10-418/417 are Ideal for Use in Swimming Pool Heater Applications
- **Proudly Made in USA**

**OPTIONS**

- Models 10-104 and 10-301 are Available with Optional Satin or Polished Chrome Finish
- 10-321 Available in Polished Chrome Only

**AVAILABLE CONFIGURATIONS**

PART NUMBER	SIZE(IN./MM)		CERTIFIED PRESSURE RANGE PSIG	HEIGHT (IN./MM)	WT./100 (LB./KG)
	INLET NPT	OUTLET NPT			
10-102	3/4F	1F	20-60	3.94	105
	20 F	25 F		100	47.7
10-104	3/4 M	1F	20-60	3.75	109
	20 M	25 F		95	49.5
10-301	3/4 M	3/4 F	20-60	3.75	114
	20 M	20 F		95	51.8
10-303	3/4 F	3/4 F	20-60	3.94	115
	20 F	20 F		100	52.3
10-321	3/4 M	3/4 F	20-60	3.75	123
	20 M	20 F		95	55.9
10-407	3/4 M	3/4 F	30	3	62
	20 M	20 F		76	28.2
10-408	3/4 F	3/4 F	30	2.75	65
	20 F	20 F		70	29.5
10-417	3/4 M	3/4 F	20-80	3	62
	20 M	20 F		76	28.1
10-418	3/4 F	3/4 F	20-80	2.75	65
	20 F	20 F		70	29.5
10-624	3/4 M	3/4 F	30-150	4.62	106
	20 M	20 F		117	48.2
10-634	3/4 F	3/4 F	30-150	4.62	106
	20 F	20 F		117	48.2



SAFETY RELIEF VALVES

## 10 SERIES

### HOT WATER BOILER SAFETY RELIEF VALVES

#### ASME SECTION IV - HOT WATER

British thermal units per hour (kilocalories per hour) at 10% overpressure. National Board Certified. Ratings are 90% of actual.

#### US CUSTOMARY UNITS BTU/HR.

PART NO.	10-102 10-104	10-301 10-303	10-321	10-407 10-408	10-417 10-418	10-624 10-634
<b>SET PRESSURE PSIG</b>						
5*	-	225,000	175,000	-	-	-
10*	-	295,000	230,000	-	-	-
15	-	365,000	285,000	-	-	-
20	545,000	420,000	325,000	-	377,000	-
25	625,000	485,000	375,000	-	427,000	-
30	710,000	550,000	425,000	535,000	477,000	689,000
35	790,000	610,000	475,000	-	532,000	769,000
40	870,000	675,000	525,000	-	587,000	848,000
45	955,000	740,000	575,000	-	642,000	928,000
50	1,035,000	805,000	625,000	-	697,000	1,007,000
55	1,115,000	870,000	675,000	-	752,000	1,087,000
60	1,200,000	935,000	725,000	-	807,000	1,166,000
65	-	-	-	-	862,000	1,246,000
70	-	-	-	-	917,000	1,325,000
75	-	-	-	-	972,000	1,405,000
80	-	-	-	-	1,027,000	1,484,000
85	-	-	-	-	-	1,564,000
90	-	-	-	-	-	1,643,000
95	-	-	-	-	-	1,723,000
100	-	-	-	-	-	1,802,000
105	-	-	-	-	-	1,882,000
110	-	-	-	-	-	1,961,000
115	-	-	-	-	-	2,041,000
120	-	-	-	-	-	2,120,000
125	-	-	-	-	-	2,199,000
130	-	-	-	-	-	2,279,000
135	-	-	-	-	-	2,358,000
140	-	-	-	-	-	2,438,000
145	-	-	-	-	-	2,517,000
150	-	-	-	-	-	2,597,000

\* Pressure settings below 15 psi are non-ASME Code.

#### METRIC UNITS Kcal/HR.

PART NO.	10-102 10-104	10-301 10-303	10-321	10-407 10-408	10-417 10-418	10-624 10-634
<b>SET PRESSURE BARG</b>						
0.34	-	57	44	-	-	-
0.69	-	74	58	-	-	-
1.03	-	92	72	-	-	-
1.38	137	106	82	-	95	-
1.72	158	122	95	-	108	-
2.07	179	139	107	135	120	174
2.41	199	154	120	-	134	194
2.76	219	170	132	-	148	214
3.10	241	187	145	-	162	234
3.45	261	203	158	-	176	254
3.80	281	219	170	-	190	274
4.14	303	236	183	-	204	294
4.48	-	-	-	-	217	314
4.83	-	-	-	-	231	334
5.17	-	-	-	-	245	354
5.51	-	-	-	-	259	374
5.86	-	-	-	-	-	394
6.20	-	-	-	-	-	414
6.55	-	-	-	-	-	435
6.89	-	-	-	-	-	454
7.24	-	-	-	-	-	475
7.58	-	-	-	-	-	495
7.93	-	-	-	-	-	515
8.27	-	-	-	-	-	535
8.62	-	-	-	-	-	555
8.96	-	-	-	-	-	575
9.31	-	-	-	-	-	595
9.65	-	-	-	-	-	615
10.00	-	-	-	-	-	635
10.34	-	-	-	-	-	655

#### P/N SUFFIX KEY

SET PRESSURE PSIG	EXTERIOR FINISH		
	PLAIN BRASS	SATIN CHROME	POLISHED CHROME
20	-02	-41	-67
22	-03	-42	-68
25	-04	-43	-69
30	-05	-44	-70
35	-06	-45	-71
40	-07	-46	-72
43	-08	-47	-73
45	-09	-48	-74
50	-10	-49	-75
55	-11	-50	-76
60	-12	-51	-77
65	-13		
70	-14		
75	-15		
80	-16		

#### ORDERING CODE

Use two-digit suffix number to indicate set pressure and body finish. Suffix for 10-624 / 10-634 models is actual set pressure in psig.

#### EXAMPLE:

10-301-44 = 3/4" 10-301 set @ 30 psig, satin chrome finish.

10-624-125 = 3/4" 10-624 set @ 125 psig (plain bronze finish only) NOTE:

- Model 10-321 available in polished chrome finish only.
- All other models are furnished with plain bronze finish.
- Model 10-104 and 10-301 available with optional satin or polished chrome finish.

**10-322 & 10-512 SERIES**  
OEM STYLE STEAM SAFETY VALVES



**10-512**



**10-322**

National Board capacity-certified safety valves; brass body with optional satin or polished chrome finish. Protects against excess pressure from thermal expansion and steam caused by failure of BTU input controls.

**ASME SECTION VIII**

- Sizes 1/2" and 3/4"
- Factory Set Pressures 15 to 60 psig @ 312°F max
- National Board Certified Capacity

**APPLICATIONS**

- Ideally suited for OEM applications such as steam carpet and jewelry cleaners, autoclaves, sterilizers, commercial pressure cookers, steam jacketed kettles, dental equipment, coffee makers and similar equipment.

**FEATURES**

- Stainless Steel Springs
- Small Physical Size
- Discharge Capacities to 725 lb./hr.
- Soft Seating for Exceptional Seat Tightness
- Pressure Settings 15 to 60 psig
- 10-322 in Polished Chrome Only (10-322-P)
- CRN OG8547.5C, Registered in all Canadian Provinces and Territories
- **Proudly Made in USA**

**OPTIONS**

- (Model 10-512 Only)
- Satin or Polished Chrome Finish
- Stainless Steel Wetted Trim
- BSP Pipe Connections
- CE/PED Compliance

**AVAILABLE CONFIGURATIONS**

PART NUMBER	SIZE (IN./MM)		SET PRESSURE RANGE PSIG	HEIGHT (IN./MM)	WT./100 (LB./KG)
	INLET NPT	OUTLET NPT			
10-322	3/4 M	3/4 F	20-60	3.75	128
	20	20		95	58.2
10-512	1/2 M	1/2 F	15-60	2.62	58
	15	15		67	26.4

**P/N SUFFIX KEY**

SET PRESSURE PSIG	*CERTIFIED CAPACITIES	
	10.322 LB.HR	15.512 LB.HR
15	-	151
20	325	178
25	375	205
30	425	232
35	475	258
40	525	285
45	575	312
50	625	339
55	675	366
60	725	392

\* ASME (UV) Rating - 90% of actual capacity at 10% accumulation. Capacity in lb. of saturated steam per hour.

**PART NUMBER MATRIX**

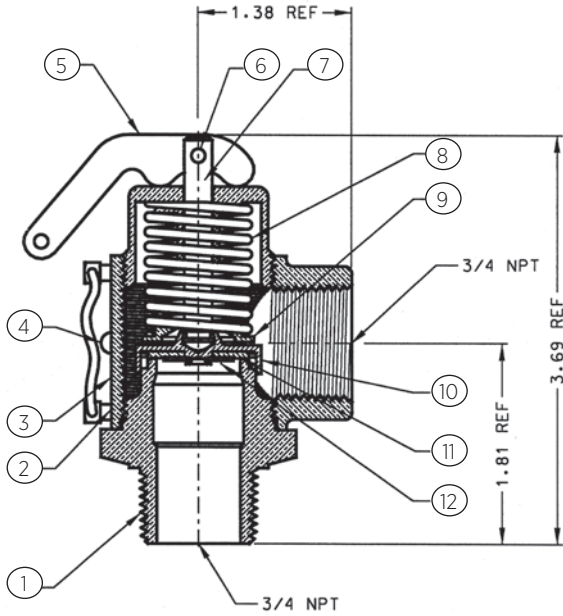
10-X	-X	-XX	-X
MODEL AND SIZE (IN.)	FINISH	SET PRESSURE	OPTIONS
512 - 1/2 X 1/2	B - PLAIN BRASS	SET PRESSURE IN PSIG (2 DIGITS)	B - BSPP CONNECTIONS
322 - 3/4 X 3/4	S - SATIN CHROME		CE - PED/CE
	P - POLISHED CHROME		S - STAINLESS STEEL TRIM
			V - VITON® SEAT
			X - BLANK OUTLET NOT THREADED

**EXAMPLE:**  
10-322-P-20 = 3/4" 10-322 set @ 20 psig, polished chrome finish.  
**NOTE:**

- Model 10-322 available in polished chrome finish only.
- Valves may be set for any pressure between 15 and 60 psig.

SAFETY RELIEF VALVES

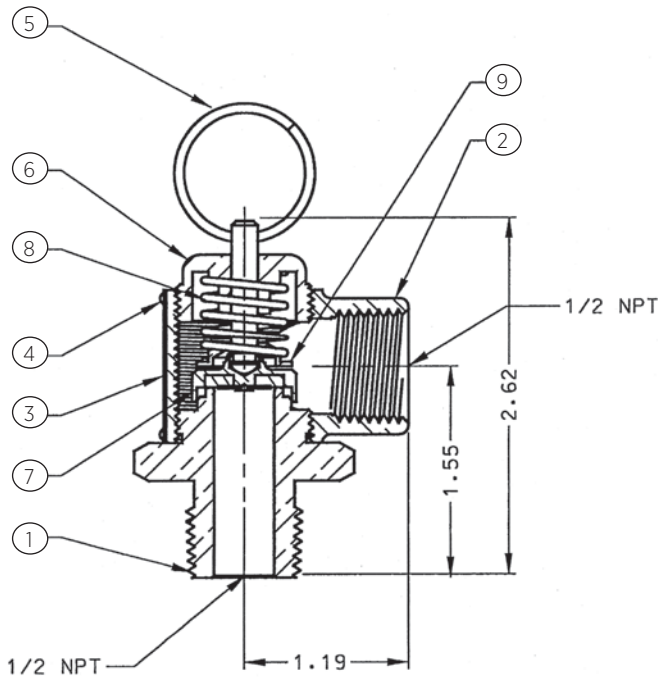
**10-322**  
OEM STYLE STEAM SAFETY VALVE



**STANDARD MATERIAL LIST**

1	Nozzle	Brass, ASTM B-16
2	Body	Brass, ASTM B-16
3	Nameplate	Aluminum
4	Drive Screw	Steel, Zinc Plated
5	Handle	Steel, Zinc Plated
6	Cotter Pin	Steel, Zinc Plated
7	Stem	Brass, ASTM B-16
8	Spring	Stainless Steel
9	Spring Washer	Brass, ASTM B-16
10	Disc	Brass, ASTM B-16
11	Seat	Teflon <sup>®</sup> Faced EPDM
12	Washer	Brass, ASTM B-16

**10-512**  
OEM STYLE STEAM PRESSURE RELIEF

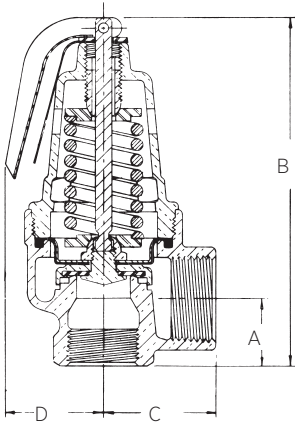


**STANDARD MATERIAL LIST**

1	Nozzle	Brass, ASTM B-16
2	Body	Brass, ASTM B-16
3	Nameplate	Aluminum
4	Drive Screw	Steel, Zinc Plated
5	Pull Ring	Steel, Zinc Plated
6	Cap	Brass, ASTM B-16
7	Disc Assembly	Brass, Silicone
8	Spring	Stainless Steel
9	Spring Washer	Brass, ASTM B-16

*Model 10-512 available with optional stainless steel wetted trim. Nozzle, disc holder and disc washer are type 316 stainless steel.*

**10-600 SERIES**  
HIGH CAPACITY HOT WATER BOILER SAFETY RELIEF



High-capacity heating system valves with female inlet and standard or expanded female outlet. Elevated seat for drainage of water away from seat area. Entire pressure range is National Board capacity certified.

**ASME SECTION IV**

- Inlet Sizes 3/4" to 2"
- Factory Set Pressures from 15-160 psig
- Maximum Temperature Service 250°F

**APPLICATIONS**

- Hot Water Heating Boilers and Hot Water Supply Systems
- Protects Against Excessive Water Pressure Due to Failure of Controls to Regulate BTU Input

**FEATURES**

- High BTU Capacity Rating
- Silicone Seat
- Fabric Reinforced Molded Diaphragm Isolates Spring from Water at all Times
- Heavy Duty Cast Bronze Body and Spring Cage
- Registered in Canadian Provinces and Territories, CRN #OG8547.5C
- **Proudly Made in USA**

**AVAILABLE CONFIGURATIONS**

PART NUMBER	SIZE(IN./MM)		CERTIFIED PRESSURE RANGE PSIG	WT./100 (LB./KG)	DIMENSIONS (IN./MM)			
	INLET NPT	OUTLET NPT			A	B	C	D
10-604	3/4F	3/4F	15-160	232	1.03	5.25	1.62	1.56
	20	20		105.2	26	133	41	39
10-605	1F	1F	15-160	410	1.25	6.69	2.00	2.00
	25	25		185.9	31	169	50	50
10-606	1-1/4F	1-1/4F	15-160	795	1.25	8.37	2.47	2.62
	32	32		360.5	31	212	63	67
10-607	1-1/2F	1-1/2F	15-160	1100	2.00	10.75	2.75	3.12
	40	40		498.9	50	273	69	79
10-608	2F	2F	15-160	2375	2.19	14.00	3.69	3.50
	50	50		1077.1	55	355	93	88
10-614	3/4F	1F	15-160	226	1.03	5.25	1.72	1.56
	20	25		102.5	26	133	43	39
10-615	1F	1-1/4F	15-160	390	1.25	6.69	2.00	2.00
	25	32		176.9	31	169	50	50
10-616	1-1/4F	1-1/2F	15-160	755	1.25	8.37	2.47	2.62
	32	40		342.4	31	212	63	67
10-617	1-1/2F	2F	15-160	1145	2.00	10.75	2.75	3.12
	40	50		519.3	50	273	69	79
10-618	2F	2-1/2F	15-160	2315	2.19	14.00	3.66	3.50
	50	65		1049.9	55	355	92	88

**P/N SUFFIX KEY**

SET PRESSURE PSIG	SUFFIX	SET PRESSURE PSIG	SUFFIX
15	-01	85	-17
20	-02	90	-18
22	-03	95	-19
25	-04	100	-20
30	-05	105	-21
35	-06	110	-22
40	-07	115	-23
43	-08	120	-24
45	-09	125	-25
50	-10	130	-30
55	-11	135	-31
60	-12	140	-32
65	-13	145	-33
70	-14	150	-34
75	-15	155	-35
80	-16	160	-36

**ORDERING CODE**

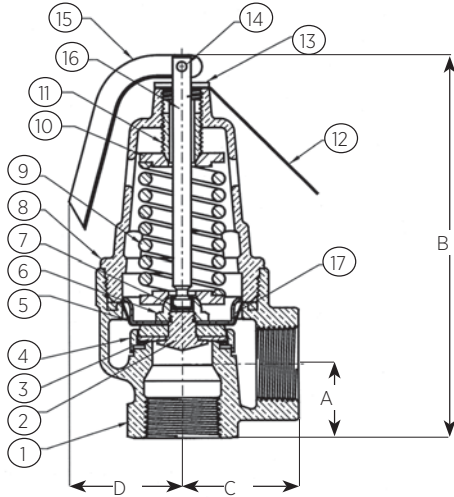
- Use two-digit suffix number to indicate Inlet x Outlet size and set pressure.

**EXAMPLE:**  
 10-615-12 = 1" x 1-1/4" 10-610 set 60 psig  
 10-608-05 = 2" x 2" 10-600 set 30 psig

SAFETY RELIEF VALVES



**10-600 SERIES**  
HIGH CAPACITY HOT WATER BOILER SAFETY RELIEF



**STANDARD MATERIAL LIST**

1	Body	Bronze Alloy C84400
2	Seat Insert	Brass, ASTM B-16
3	Seat	Silicone
4	Disc	Brass ASTM B-16
5	Diaphragm	Fabric Reinforce EPDM
6	Stem Nut	Steel, Plated
7	Spacer	Silicone
8	Cap	Bronze Alloy C84400
9	Spring	Plated ASTM A228
10	Spring Washer	AISI 12L14 Steel
11	Adj. Screw	Brass, ASTM B-16
12	Nameplate	Aluminum
13	Lift Washer	Steel, Plated
14	Handle Rivet	Steel, Plated
15	Lift Handle	Steel, Plated
16	Stem Nut	Steel, Plated
17	Diaphragm Ret.	Steel, Plated

**ASME SECTION IV HOT WATER**

- British thermal units per hour (kilocalories per hour) at 10% overpressure. National Board Certified. Ratings are 90% of actual.

**US CUSTOMARY UNITS BTU/HR.**

PART NO. (IN.)	10-604 3/4 X 3/4	10-605 1 X 1	10-606 1-1/4 X 1-1/4	10-607 1-1/2 X 1-1/2	10-608 2 X 2
SET PRESSURE PSIG					
15	541,000	876,000	1,515,000	2,061,000	3,397,000
20	636,000	1,030,000	1,782,000	2,424,000	3,996,000
25	732,000	1,185,000	2,049,000	2,788,000	4,595,000
30	827,000	1,339,000	2,316,000	3,151,000	5,193,000
35	923,000	1,493,000	2,583,000	3,514,000	5,792,000
40	1,018,000	1,648,000	2,850,000	3,878,000	6,391,000
45	1,113,000	1,802,000	3,117,000	4,241,000	6,990,000
50	1,209,000	1,956,000	3,384,000	4,604,000	7,589,000
55	1,304,000	2,111,000	3,651,000	4,968,000	8,188,000
60	1,399,000	2,265,000	3,918,000	5,331,000	8,786,000
65	1,495,000	2,420,000	4,185,000	5,694,000	9,385,000
70	1,590,000	2,574,000	4,453,000	6,058,000	9,984,000
75	1,686,000	2,728,000	4,720,000	6,421,000	10,583,000
80	1,781,000	2,883,000	4,987,000	6,784,000	11,182,000
85	1,876,000	3,037,000	5,254,000	7,148,000	11,780,000
90	1,972,000	3,192,000	5,521,000	7,511,000	12,379,000
95	2,067,000	3,346,000	5,788,000	7,874,000	12,978,000
100	2,162,000	3,500,000	6,055,000	8,238,000	13,577,000
105	2,258,000	3,655,000	6,322,000	8,601,000	14,176,000
110	2,353,000	3,809,000	6,589,000	8,964,000	14,775,000
115	2,449,000	3,963,000	6,856,000	9,327,000	15,373,000
120	2,544,000	4,118,000	7,123,000	9,691,000	15,972,000
125	2,639,000	4,272,000	7,390,000	10,054,000	16,571,000
130	2,735,000	4,427,000	7,657,000	10,417,000	17,170,000
135	2,830,000	4,581,000	7,924,000	10,781,000	17,769,000
140	2,925,000	4,735,000	8,191,000	11,144,000	18,368,000
145	3,021,000	4,890,000	8,458,000	11,507,000	18,966,000
150	3,116,000	5,044,000	8,725,000	11,871,000	19,565,000
155	3,212,000	5,199,000	8,992,000	12,234,000	20,164,000
160	3,307,000	5,353,000	9,260,000	12,597,000	20,763,000

**METRIC UNITS Kcal/HR.**

PART NO. (MM)	10-604 20 X 20	10-605 25 X 25	10-606 32 X 32	10-607 40 X 40	10-608 50 X 50
SET PRESSURE BARG					
1.03	136	221	382	520	857
1.38	160	260	449	611	1,008
1.72	185	299	517	703	1,159
2.07	209	351	584	795	1,310
2.41	233	377	651	886	1,461
2.76	257	416	719	978	1,612
3.10	281	454	786	1,070	1,763
3.45	305	493	853	1,161	1,914
3.79	329	532	921	1,253	2,065
4.14	353	571	988	1,344	2,219
4.48	377	610	1,055	1,436	2,367
4.83	401	649	1,123	1,528	2,518
5.17	425	688	1,190	1,619	2,669
5.51	449	727	1,258	1,711	2,820
5.86	473	766	1,325	1,803	2,971
6.20	497	805	1,393	1,894	3,122
6.55	521	844	1,560	1,986	3,273
6.89	545	883	1,527	2,076	3,424
7.24	569	922	1,594	2,169	3,575
7.58	593	961	1,662	2,261	3,726
7.93	618	999	1,729	2,352	3,877
8.27	642	1,039	1,796	2,444	4,028
8.62	666	1,077	1,864	2,536	4,179
8.96	690	1,116	1,931	2,627	4,330
9.31	714	1,155	1,998	2,719	4,481
9.65	738	1,194	2,066	2,811	4,632
10.00	762	1,233	2,133	2,902	4,783
10.34	786	1,272	2,200	2,994	4,934
10.69	810	1,311	2,268	3,085	5,085
11.03	834	1,350	2,335	3,177	5,236

SAFETY RELIEF VALVES

## 10-610 SERIES

### HIGH CAPACITY HOT WATER BOILER SAFETY RELIEF

#### ASME SECTION IV - HOT WATER

• British thermal units per hour (kilocalories per hour) at 10% overpressure. National Board Certified. Ratings are 90% of actual.

#### US CUSTOMARY UNITS BTU/HR.

PART NO. (IN.)	10-614 3/4 X 1	10-615 1 X 1-1/4	10-616 1-1/4 X 1-1/2	10-617 1-1/2 X 2	10-618 2 X 2-1/2
<b>SET PRESSURE PSIG</b>					
15	635,000	1,027,000	1,777,000	2,417,000	3,984,000
20	746,000	1,208,000	2,090,000	2,843,000	4,686,000
25	858,000	1,389,000	2,403,000	3,270,000	5,389,000
30	970,000	1,570,000	2,716,000	3,696,000	6,091,000
35	1,082,000	1,751,000	3,030,000	4,122,000	6,793,000
40	1,194,000	1,933,000	3,343,000	4,548,000	7,496,000
45	1,306,000	2,114,000	3,656,000	4,974,000	8,198,000
50	1,418,000	2,295,000	3,969,000	5,400,000	8,900,000
55	1,529,000	2,476,000	4,283,000	5,826,000	9,603,000
60	1,641,000	2,657,000	4,596,000	6,252,000	10,305,000
65	1,753,000	2,838,000	4,909,000	6,679,000	11,007,000
70	1,865,000	3,019,000	5,222,000	7,105,000	11,710,000
75	1,977,000	3,200,000	5,535,000	7,531,000	12,412,000
80	2,089,000	3,381,000	5,849,000	7,957,000	13,114,000
85	2,201,000	3,562,000	6,162,000	8,383,000	13,817,000
90	2,313,000	3,743,000	6,475,000	8,809,000	14,519,000
95	2,424,000	3,924,000	6,788,000	9,235,000	15,221,000
100	2,536,000	4,105,000	7,101,000	9,661,000	15,924,000
105	2,648,000	4,286,000	7,415,000	10,088,000	16,626,000
110	2,760,000	4,468,000	7,728,000	10,514,000	17,328,000
115	2,872,000	4,649,000	8,041,000	10,940,000	18,031,000
120	2,984,000	4,830,000	8,354,000	11,366,000	18,733,000
125	3,096,000	5,011,000	8,668,000	11,792,000	19,435,000
130	3,207,000	5,192,000	8,981,000	12,218,000	20,138,000
135	3,319,000	5,373,000	9,294,000	12,644,000	20,840,000
140	3,431,000	5,554,000	9,607,000	13,070,000	21,543,000
145	3,543,000	5,735,000	9,920,000	13,497,000	22,245,000
150	3,655,000	5,916,000	10,234,000	13,923,000	22,947,000
155	3,767,000	6,097,000	10,547,000	14,349,000	23,650,000
160	3,879,000	6,278,000	10,860,000	14,775,000	24,352,000

#### METRIC UNITS Kcal/HR.

PART NO. (MM)	10-614 20 X 25	10-615 25 X 32	10-616 32 X 40	10-617 40 X 50	10-618 50 X 65
<b>SET PRESSURE BARG</b>					
1.03	160	259	448	610	1,005
1.38	188	305	527	717	1,182
1.72	216	350	606	825	1,359
2.07	245	396	645	932	1,536
2.41	273	442	765	1,040	1,713
2.76	301	488	843	1,147	1,890
3.10	329	533	922	1,254	2,067
3.45	358	579	932	1,362	2,244
3.79	386	624	1,080	1,469	2,422
4.14	414	670	1,159	1,577	2,599
4.48	442	716	1,238	1,684	2,776
4.83	470	761	1,317	1,792	2,953
5.17	498	807	1,396	1,899	3,130
5.51	527	827	1,475	2,007	3,307
5.86	555	898	1,554	2,114	3,485
6.20	583	944	1,633	2,222	3,662
6.55	611	990	1,712	2,329	3,839
6.89	640	1,035	1,791	2,437	4,016
7.24	668	1,081	1,870	2,544	4,193
7.58	696	1,127	1,949	2,652	4,370
7.93	724	1,172	2,028	2,759	4,547
8.27	752	1,218	2,107	2,866	4,724
8.62	781	1,264	2,186	2,974	4,901
8.96	809	1,309	2,265	3,081	5,079
9.31	837	1,355	2,344	3,189	5,256
9.65	865	1,401	2,423	3,296	5,433
10.00	893	1,446	2,502	3,404	5,610
10.34	922	1,492	2,581	3,511	5,787
10.69	950	1,538	2,660	3,619	5,964
11.03	978	1,583	2,739	3,726	6,141

SAFETY RELIEF VALVES

**12-200 SERIES**

**LOW PRESSURE STEAM HEATING BOILER SAFETY**



Medium capacity safety valves protect ASME Section IV low pressure steam heating boilers. Cast bronze, full nozzle design features PTFE faced elastomer soft seating for dependable operation. Ideal for OEM applications.

**ASME SECTION IV**

- Sizes 2", 2-1/2" and 3"
- Factory Set Pressures 5-15 psi

**APPLICATIONS**

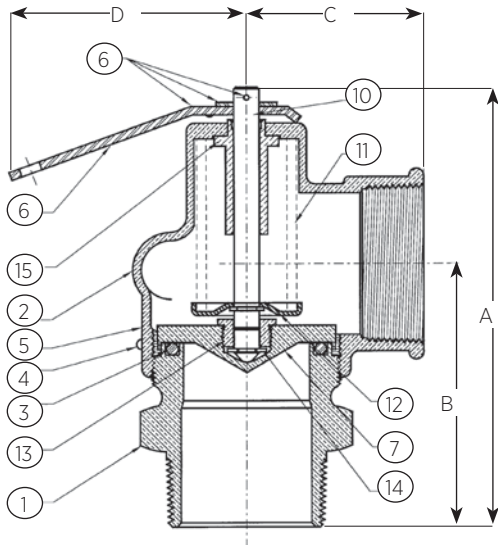
- Medium and Large Commercial and Industrial Steam Heating and Processing Boilers

**FEATURES**

- All Bronze Construction
- PTFE-Coated O-Ring Seat Seal
- 3/8" NPT Side Tapping for Drain
- Rust-Proofed Steel Spring
- Top Guided, High Capacity Design
- Registered in all Canadian Provinces and Territories, CRN #0G8547.5C
- National Board Certified at 15 psig
- **Proudly Made in USA**

**AVAILABLE CONFIGURATIONS**

PART NUMBER	SIZE (IN./MM)		WT./EA. (LB./KG)	DIMENSIONS (IN./MM)			
	INLET NPT	OUTLET NPT		A	B	C	D
12-205	2M	2F	5.1	6.00	3.75	2.62	4.00
	50	50	2.3	152	95	67	102
12-206	2-1/2M	2-1/2F	8.4	8.50	5.25	3.06	4.00
	65	65	3.8	216	133	78	102
12-208	3M	3F	11.6	9.50	6.00	3.75	4.00
	80	80	5.3	241	152	95	102



**STANDARD MATERIAL LIST**

1	Nozzle	Bronze, ASTM B584
2	Body	Bronze, ASTM B584
3	O-Ring	Teflon® Coated EPDM
4	Drive Screw	AISI 1010 Plated CR Steel
5	Nameplate	Aluminum
6	Handle Assembly	Steel, Plated
7	Disc	Brass, ASTM B-16
8	Stem	Brass, ASTM B-16
9	Spring	Stainless Steel
10	Spr. Washer	AISI 1010 Plated CR Steel
11	Stem Nut	Brass, ASTM B-16
12	Retainer Ring	Brass, ASTM B-16
13	Guide	Brass, ASTM B-16

**P/N SUFFIX KEY**

SET PRESSURE PSIG	SUFFIX
5	-03
6	-04
8	-05
10	-06
12	-07
15	-08

**ORDERING CODE**

- Use two-digit suffix number to indicate set pressure and body finish.

**EXAMPLE:**  
12-205-08 = 2" 12 Series set 15 psig

**13 SERIES**  
LOW PRESSURE STEAM HEATING BOILER SAFETY VALVES



ASME Section IV bronze safety valves protect small to medium low pressure steam heating boilers. Three design configurations feature top guiding and raised seating area for extended service life. Available top and side discharge models.

**ASME SECTION IV**

- Inlet Sizes 3/4" to 2"
- Factory Set Pressures from 5-15 psig

**APPLICATIONS**

- Low Pressure Steam Heating and Supply Boilers

**FEATURES**

- Flat Seat, PTFE Faced Disc for Positive Seal
- Standard Set Pressure of 15 psig
- Positive Drainage of Condensate from Seat Area
- No. 13-101 is Top Outlet Discharge
- Registered in all Canadian Provinces and Territories, CRN #0G8547.5C
- ASME and National Board Certified at 15 psig
- **Proudly Made in USA**

**OPTIONS**

- Satin or Polished Chrome Finishes

**AVAILABLE CONFIGURATIONS**

PART NUMBER	SIZE (IN./MM)		WT./100 (LB./KG)	DIMENSIONS (IN./MM)			
	INLET NPT	OUTLET NPT		A	B	C	D
13-101	3/4 M	Top	64	2.87	0.94	1.25	-
	20		29.0	73	23	31	-
13-211	3/4 M	3/4 F	107	1.81	3.69	1.44	1.41
	20	20	48.5	46	93	36	35
13-202	1 M	1 F	110	2.06	3.87	1.53	1.41
	25	25	49.9	52	98	39	35
13-213	1-1/4 M	1-1/2 F	218	2.53	4.50	1.87	1.50
	32	40	98.9	64	114	47	38
13-214	1-1/2 M	2 F	320	3	5.25	2.19	1.81
	40	50	145.1	76	133	55	46
13-511	3/4 M	3/4 F	62	1.69	3.25	1.19	1.25
	20	20	28.1	42	82	30	31
13-512	3/4 F	3/4 F	59	1.19	2.75	1.19	1.25
	20	20	26.8	30	69	30	31

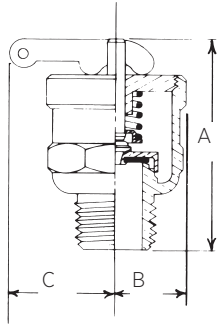
**PART NUMBER MATRIX**

13-XXX	-X	-XX	-X
MODEL	FINISH	SET PRESSURE	OPTIONS
101 - 3/4" M X TOP	B - PLAIN BRASS	SET PRESSURE IN PSIG	A - AIR SERVICE (NON-ASME)
211 - 3/4" M X 3/4" F	S - SATIN CHROME*	(2 DIGITS)	
202 - 1" M X 1" F	P - POLISHED CHROME*		
213 - 1-1/4" M X 1-1/2" F	*AVAILABLE ON SELECT MODELS		
214 - 1-1/2" M X 2" F			
511 - 3/4" M X 3/4" F			
512 - 3/4" F X 3/4" F			

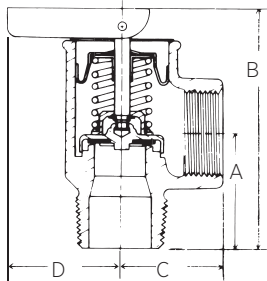
EXAMPLE: 13-511-B15 = 3/4" 13-511 set at 15 psig



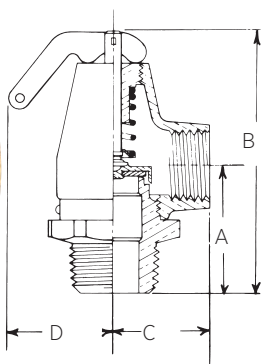
13-101



13-511



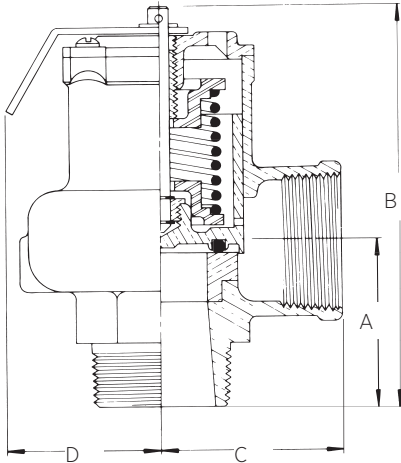
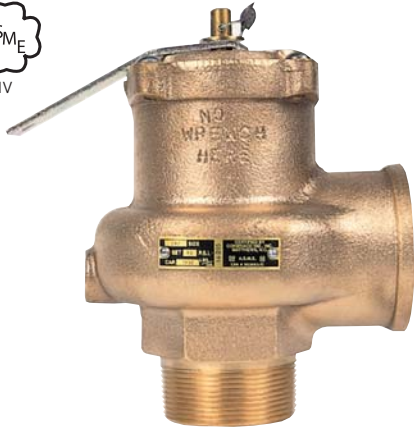
13-200



SAFETY RELIEF VALVES

**14-200 SERIES**

LOW PRESSURE STEAM HEATING SAFETY VALVE



SAFETY RELIEF VALVES

**FEATURES**

- One Piece Body, All Bronze Construction
- Rust-Proofed Steel Spring
- Chrome Plated Seat, PTFE Coated Disc
- PTFE Coated EPDM O-Ring for Positive Seal
- 3/8" NPT Side Tapping for Drain Connection
- Valves are Capacity Certified by the National Board at 15 psig Only, in Accordance with ASME Boiler and Pressure Vessel Code Section IV
- Registered in all Canadian Provinces and Territories, CRN #0G8547.5C
- **Proudly Made in USA**

**ASME SECTION IV**

- Sizes 2", 2-1/2" and 3"
- Factory Set Pressures 5-15 psi

**APPLICATIONS**

- The 14 Series is an ASME Section IV High Capacity Steam Safety Valve for Use With Medium and Large Size Commercial and Industrial Heating Boilers

**OPTIONS**

- (-G) Test Gag Available to Prevent the Valve from Opening During Hydrostatic Boiler Testing

**AVAILABLE CONFIGURATIONS**

PART NUMBER	SIZE (IN./MM)		WT./EA. (LB./KG)	DIMENSIONS (IN./MM)			
	INLET NPT	OUTLET NPT		A	B	C	D
14-205	2M	2F	8.4	3.00	7.12	3.12	4.00
	50M	50F	3.8	76	181	79	101
14-206	2-1/2M	2-1/2F	13.0	3.50	8.25	3.50	4.00
	65M	65F	5.9	88	209	88	101
14-207	3M	3F	17.0	4.12	9.37	3.87	4.00
	80M	80F	7.7	104	238	98	101

**ORDERING CODE**

- Use model number and two digit suffix number to indicate size and set pressure.

**P/N SUFFIX KEY**

SET PRESSURE PSIG	SUFFIX
5	-03
6	-04
8	-05
10	-06
12	-07
15	-08

**EXAMPLE:**  
 14-206-08 = 2-1/2" valve set 15 psig  
 Note:  
 ASME IV and NB certified capacities at 15 psi only  
 Valves may be set for any pressure between 5 and 15 psi. Consult factory for set pressures not listed.  
 To specify test gag option add "G" to suffix.



## 12, 13 & 14 SERIES

### LOW PRESSURE STEAM HEATING BOILER SAFETY VALVE

#### ASME SECTION IV - STEAM

Pounds per hour (kilograms per hour) saturated steam at 33-1/3% overpressure. National Board Certified. Ratings are 90% of actual.

#### US CUSTOMARY UNITS BTU/HR.

PART NO. (IN.)	12-205 2 X 2	12-206 2-1/2 X 2-1/2	12-208 3 X 3	13-101 3/4	13-202 1 X 1	13-211 3/4 X 3/4	13-213 1-1/4 X 1-1/2	13-214 1-1/2 X 2	13-511 13-512 3/4 X 3/4	14-205 2 X 2	14-206 2-1/2 X 2-1/2	14-207 3 X 3
<b>SET PRESSURE PSIG</b>												
5*	1,439	2,043	2,855	333	374	290	699	1,106	213	1,815	2,695	3,944
10*	1,969	2,786	3,478	372	509	383	950	1,503	310	2,483	3,686	5,394
15	2,500	3,529	4,100	410	643	475	1,200	1,900	407	3,150	4,676	6,843

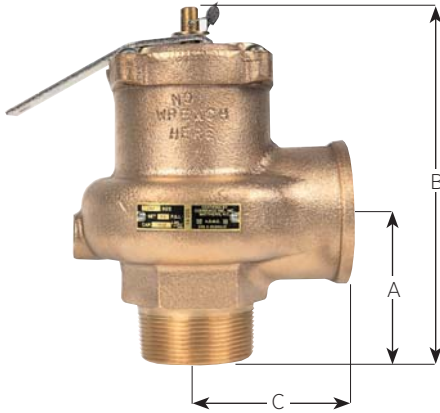
#### METRIC UNITS Kcal/HR.

PART NO. (MM)	12-205 50 X 50	12-206 65 X 65	12-208 80 X 80	13-101 20	13-202 25 X 25	13-211 20X20	13-213 32 X 40	13-214 40 X 50	13-511 13-512 20 X 20	14-205 50 X 50	14-206 65 X 65	14-207 80 X 80
<b>SET PRESSURE BARG</b>												
0.34	653	927	1,295	151	170	131	317	502	97	823	1,222	1,789
0.69	893	1,264	1,577	169	231	174	431	682	141	1,126	1,672	2,447
1.03	1,134	1,601	1,860	186	292	215	544	862	185	1,429	2,121	3,103

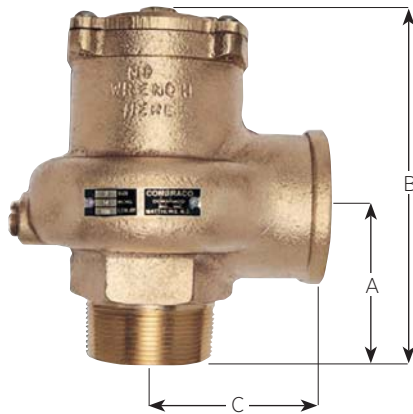
\*ASME Section IV and NB certified capacities at 15 psi only.  
Valves may be set for any pressure between 5 and 15 psi. Consult factory for set pressures not listed.

SAFETY RELIEF VALVES

**14-400 & 14-500 SERIES**  
LOW PRESSURE AIR RELIEF



**14-400**  
**W/ LIFT LEVER**



**14-500**  
**SEALED CAP**

High volume air relief valves designed for low pressure/high volume air and gas service. Rugged bronze construction features elastomer soft seating and TFE coated discs for dependable operation.

- Inlet Sizes 2", 2-1/2" and 3"
- Factory Set Pressures 4 to 22 psig @ 400° F max.

**APPLICATIONS**

- Non-ASME Code Air and Gas Service
- Low Pressure, High Volume Blowers and Compressors
- Bulk Hauling Tanks, Trailers and Rail Cars
- Powdered Solids / Bulk Handling
- Pneumatic Conveying Equipment

**FEATURES**

- Vibration Resistant Soft Seat is Standard
- Stainless Steel Spring
- One Piece Corrosion Resistant Bronze Body Design
- High Flow "Top-Guided" Design

**OPTIONS**

- Model 14-400 with Test Lever
- Model 14-500 with Plain Cap, Weather Resistant Sealed Body

**AVAILABLE CONFIGURATIONS**

PART NUMBER	SIZE (IN./MM)	DIMENSIONS (IN./MM)			WT./EA. (LB./KG)
		A	B	C	
14-X05	2 x 2	3	6-1/2	3-1/8	8.4
	50M x 50F	76	165	79	3.81
14-X06	2-1/2 x 2-1/2	3-1/2	7-5/8	3-1/2	12.5
	65M x 65F	89	194	89	5.7
14-X07	3 x 3	4-1/8	8-3/4	3-7/8	17.0
	80M x 80F	105	222	98	7.7

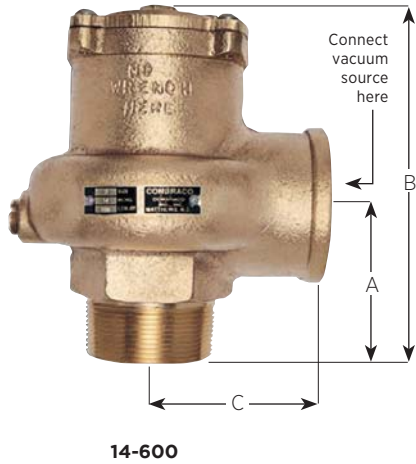
**PART NUMBER MATRIX**

14	-X	-XX	-X
SERIES NUMBER	BODY/CAP STYLE AND SERVICE	INLET CONNECTION	RELIEF PRESSURE
14 - BASE PART NO.	4 - AIR RELIEF, WITH TEST LEVER 5 - AIR RELIEF, PLAIN CAP	05 - 2" NPT 06 - 2-1/2" NPT 07 - 3" NPT	SET PRESSURE IN PSIG (2 DIGITS)

EXAMPLES: 14-406 12 = 2-1/2" 14 Series air relief valve set at 12 psig, with lift lever

SAFETY RELIEF VALVES

**14-600 SERIES**  
VACUUM RELIEF



High flow vacuum relief valves feature one piece cast bronze bodies. Teflon coated discs and elastomer soft seating provide accurate and dependable operation.

- Connection Sizes 2", 2-1/2" and 3"
- Relief Settings 8" to 30" Hg @ 400° F max.

**APPLICATIONS**

- High Volume Vacuum Systems
- Bulk Hauling Tanks and Trailers
- Powdered Solids / Bulk Handling
- Pneumatic Conveying Equipment

**FEATURES**

- Weather Resistant Construction
- Elastomer Soft Seat is Vibration Resistant
- Stainless Steel Spring
- One Piece Corrosion Resistant Bronze Body Design
- High Capacity "Top-Guided" Design
- TFE / Chrome Plated Internals

**AVAILABLE CONFIGURATIONS**

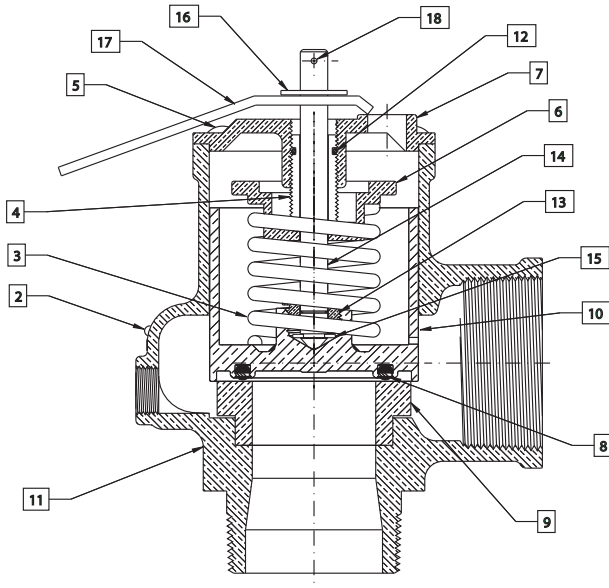
PART NUMBER	SIZE (IN./MM)	DIMENSIONS (IN./MM)			WT./EA. (LB./KG)
		A	B	C	
14-605	2 x 2	3	6-1/2	3-1/8	8.4
	50M x 50F	76	165	79	3.81
14-606	2-1/2 x 2-1/2	3-1/2	7-5/8	3-1/2	11.8
	65M x 65F	89	194	89	5.4
14-607	3 x 3	4-1/8	8-3/4	3-7/8	16.3
	80M x 80F	105	222	98	7.4

**PART NUMBER MATRIX**

14	-6	-0X	-VXX
SERIES NUMBER	BODY/CAP STYLE AND SERVICE	INLET CONNECTION	RELIEF PRESSURE
14 - BASE PART NO.	6 - VACUUM RELIEF	05 - 2" NPT	VACUUM RELIEF SETTING, HG "V" PREFIX + INCHES MERCURY ("V" + 2 DIGITS)
		06 - 2-1/2" NPT	
		07 - 3" NPT	

EXAMPLE: 14-607-V14 = 3" vacuum relief valve set at 14 in. Hg

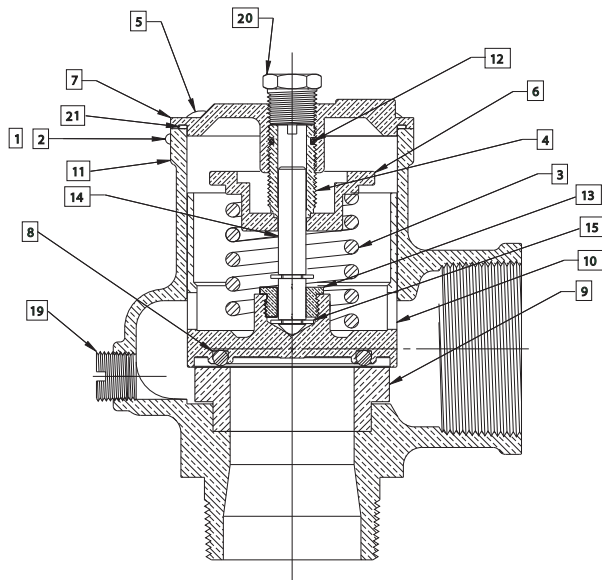
**14-400 SERIES**  
LOW PRESSURE AIR RELIEF



**STANDARD MATERIAL LIST**

1	Nameplate	Aluminum
2	Drive Screws (2)	Steel, Plated
3	Spring	Stainless Steel
4	Adjusting Screw	Brass, ASTM B-16
5	Cap Screw (4)	Steel, Plated
6	Spring Washer	Brass, ASTM B-16
7	Cap	Bronze, ASTM B-584
8	Seat-O-Ring	Silicone
9	Seat Insert	Brass, ASTM B-16
10	Disc	Bronze, ASTM B-584
11	Body	Bronze, ASTM B-584
12	Friction Ring	EPDM
13	Stem Nut	Brass, ASTM B-16
14	Stem	Brass, ASTM B-16
15	Retaining Ring	Steel, Plated
16	Lift Washer	Steel, Plated
17	Lift Lever	Steel, Plated
18	Roll Pin	Steel, Plated
19	Plug	Brass, ASTM B-16
20	Plug	Brass, ASTM B-16
21	Cap Seal O-Ring	Silicone

**14-500 & 14-600 SERIES**



**STANDARD MATERIAL LIST**

1	Nameplate	Aluminum
2	Drive Screws (2)	Steel, Plated
3	Spring	Stainless Steel
4	Adjusting Screw	Brass, ASTM B-16
5	Cap Screw (4)	Steel, Plated
6	Spring Washer	Brass, ASTM B-16
7	Cap	Bronze, ASTM B-584
8	Seat-O-Ring	Silicone
9	Seat Insert	Brass, ASTM B-16
10	Disc	Bronze, ASTM B-584
11	Body	Bronze, ASTM B-584
12	Friction Ring	EPDM
13	Stem Nut	Brass, ASTM B-16
14	Stem	Brass, ASTM B-16
15	Retaining Ring	Steel, Plated
16	Lift Washer	Steel, Plated
17	Lift Lever	Steel, Plated
18	Roll Pin	Steel, Plated
19	Plug	Brass, ASTM B-16
20	Plug	Brass, ASTM B-16
21	Cap Seal O-Ring	Silicone

SAFETY RELIEF VALVES

## 14-400 & 14-500 SERIES LOW PRESSURE AIR RELIEF

### NON-CODE AIR RELIEF CAPACITIES

- Standard cubic feet per minute (normalized cubic meters per hour) of air at 10% overpressure.

#### US CUSTOMARY UNITS SCFM AIR

ORDERING SUFFIX	PART NO. SIZE (IN.) AREA (IN. <sup>2</sup> )	14-405	14-406	14-407
		14-505	14-506	14-507
SET PRESSURE PSIG				
-04	4	615	914	1338
-05	5	651	967	1415
-06	6	687	1020	1492
-07	7	722	1072	1569
-08	8	758	1125	1646
-09	9	793	1178	1723
-10	10	829	1231	1801
-11	11	864	1283	1878
-12	12	900	1336	1955
-13	13	935	1389	2032
-14	14	971	1441	2109
-15	15	1006	1494	2186
-16	16	1041	1547	2263
-17	17	1076	1600	2340
-18	18	1111	1653	2417
-19	19	1146	1706	2494
-20	20	1181	1756	2571
-21	21	1216	1809	2648
-22	22	1252	1861	2725

#### METRIC UNITS NM<sup>3</sup>/HR. AIR

PART NO. SIZE (MM) AREA (CM <sup>2</sup> )	14-405	14-406	14-407
	14-505	14-506	14-507
SET PRESSURE BARG			
.28	988	1469	2151
.34	1046	1554	2275
.41	1104	1639	2398
.48	1161	1724	2522
.55	1218	1809	2646
.62	1275	1893	2770
.69	1332	1978	2894
.76	1389	2063	3018
.83	1446	2147	3142
.90	1503	2232	3266
.97	1560	2317	3390
1.03	1617	2402	3514
1.10	1673	2487	3638
1.17	1730	2572	3761
1.24	1786	2657	3885
1.31	1842	2742	4009
1.38	1899	2823	4133
1.45	1955	2907	4257
1.52	2012	2992	4381

## 14-600 SERIES VACUUM RELIEF

### VACUUM AIR RELIEF CAPACITIES

- Standard cubic feet per minute (normalized cubic meters per hour) of air at 10% overpressure.

#### US CUSTOMARY UNITS SCFM AIR

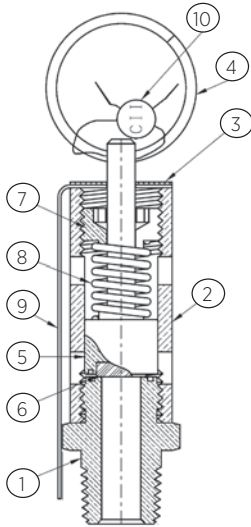
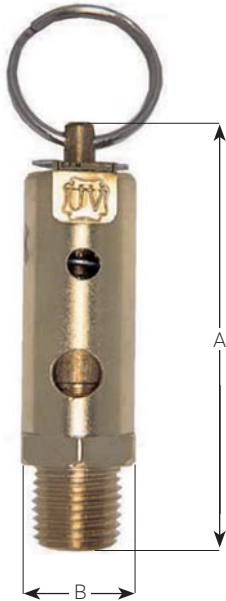
ORDERING SUFFIX	PART NO. SIZE (IN.) AREA (IN. <sup>2</sup> )	14-605	14-606	14-607
		2 X 2	2-1/2 X 2-1/2	3 X 3
RELIEF SETTING (IN. HG)				
V08	8	395	600	865
V09	9	405	618	890
V10	10	415	635	915
V11	11	421	642	927
V12	12	426	649	939
V13	13	430	653	943
V14	14	430	653	943
V15	15	430	653	943
V20	20	430	653	943
V25	25	430	653	943
V30	30	430	653	943

#### METRIC UNITS Nm<sup>3</sup>/Hr. AIR

PART NO. SIZE (MM) AREA (CM <sup>2</sup> )	14-605	14-606	14-607
	50 X 50	65 X 65	80 X 80
RELIEF SETTING (MM HG)			
203	635	964	1390
229	651	993	1431
254	667	1021	1471
279	676	1021	1471
305	685	1043	1509
330	691	1050	1516
356	691	1050	1516
381	691	1050	1516
508	691	1050	1516
635	691	1050	1516
762	691	1050	1516



**15 SERIES  
AIR RELIEF**



**STANDARD MATERIALS LIST**

1	Nozzle	Brass, ASTM B-16
2	Body	Brass, ASTM B-16
3	Nameplate	Aluminum
4	Pull Ring	Pltd. AISI 1018 CRS
5	Disc/Stem	Brass, ASTM B-16
6	Seat	Viton
7	Cap	Brass, ASTM B-16
8	Spring	ASTM A-227 Steel
9	Inst. Tag	Paper
10	Lead Seal	Lead

Rugged design 15 Series air relief valves provide dependable overpressure protection at an economical price. Top guided design features brass construction and resilient seating for superior performance. Widely used by OEM's and for aftermarket replacement.

**ASME SECTION VIII**

- Sizes 1/4" through 1"
- Factory Set Pressures 15 to 250 psig
- Maximum Temperature: 325° F

**APPLICATIONS**

- Ideal for a Wide Range of Air and Inert Gas Applications Including Compressors, Intercoolers, Dryers, Receivers, Control and Instrument Air Lines, and Pressurized Systems and Equipment

**FEATURES**

- National Board Certified 15 psig thru 250 psig
- Viton O-Ring Seat
- Registered in all Canadian Provinces and Territories, CRN #0G8547.5C
- ASTM B16 Brass Body
- RoHS Compliant Materials
- European Pressure Equipment Directive Compliant Option (CE/PED)
- **Proudly Made in USA**

**AVAILABLE CONFIGURATIONS**

PART NUMBER	INLET SIZE (IN./MM)	DIMENSIONS (IN./MM)		WT./100 (LB./KG)
		A	B	
15-112	1/4 NPT	2.62	0.78	18.5
	8	66	20	8.4
15-115	3/8 NPT	3.25	1.12	42.2
	10	82	28	19.2
15-117	1/2 NPT	3.37	1.12	45.3
	15	85	28	20.6
15-118	3/4 NPT	4.06	1.21	58
	20	105	30	26.4
15-119	1 NPT	5.12	1.87	153
	25	130	47	69.5

**PART NUMBER MATRIX**

15-XXX	-X	-XXX	-XX
MODEL AND SIZE (IN.)	FINISH	SET PRESSURE	OPTIONS
112 - 1/4 NPT	B - PLAIN BRASS	SET PRESSURE IN PSIG	CE - PED/CE
115 - 3/8 NPT			Q - PERFORMANCE (CALIBRATION) TEST REPORTS
117 - 1/2 NPT			
118 - 3/4 NPT			
119 - 1 NPT			

EXAMPLE: 15 117 B 165 = 1/2" 15 Series set at 165 psig.

## 15 SERIES AIR RELIEF

### ASME SECTION VIII - AIR

• Standard cubic feet per minute (normalized cubic meters per hour) of air at 10% overpressure. National Board Certified. Ratings are 90% of actual.

#### US CUSTOMARY UNITS SCFM AIR

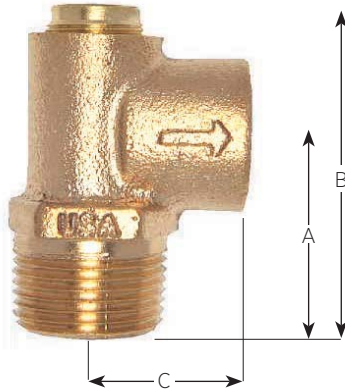
PART NO. SIZE (IN.)	15-112 1/4	15-115 & 117 3/8 & 1/2	15-118 3/4	15-119 1
<b>SET PRESSURE PSIG</b>				
15	24	60	107	222
20	28	70	124	256
25	32	79	140	290
30	35	88	156	323
35	39	98	174	361
40	43	109	193	398
45	47	119	211	435
50	51	128	229	473
55	55	139	247	510
60	60	149	265	547
65	64	159	283	584
70	68	170	301	622
75	72	179	319	659
80	76	190	337	696
85	80	200	355	734
90	84	210	373	771
95	88	220	391	808
100	92	230	409	845
105	96	241	427	883
110	100	251	445	920
115	104	261	463	957
120	108	271	481	995
125	112	281	499	1,032
130	116	292	517	1,069
135	120	302	535	1,106
140	124	312	553	1,144
145	129	322	571	1,181
150	133	332	589	1,218
155	137	342	607	1,256
160	141	353	625	1,293
165	145	363	644	1,330
170	149	373	662	1,368
175	153	383	680	1,405
180	157	393	698	1,442
185	161	403	716	1,479
190	165	414	734	1,517
195	169	424	752	1,554
200	173	432	770	1,591
205	177	444	788	1,629
210	181	454	806	1,666
215	185	464	824	1,703
220	189	475	842	1,740
225	194	484	860	1,778
230	198	495	878	1,815
235	202	505	896	1,852
240	206	515	914	1,890
245	210	525	932	1,927
250	214	535	950	1,964

#### METRIC UNITS Nm<sup>3</sup>/HR. AIR

PART NO. SIZE (MM)	15-112 8	15-115 & 117 10 & 15	15-118 20	15-119 25
<b>SET PRESSURE BARG</b>				
1.03	39	96	172	357
1.38	45	112	199	411
1.72	51	127	225	466
2.07	57	141	251	519
2.41	63	157	280	580
2.76	69	175	310	640
3.10	75	191	339	699
3.45	82	206	368	760
3.79	88	223	397	820
4.14	96	239	426	879
4.48	103	255	455	939
4.83	109	273	484	1,000
5.17	116	288	513	1,059
5.51	122	305	542	1,119
5.86	129	321	571	1,180
6.20	135	337	600	1,239
6.55	141	354	628	1,299
6.89	148	370	657	1,358
7.24	154	387	686	1,419
7.58	161	403	715	1,479
7.93	167	419	744	1,538
8.27	174	436	773	1,599
8.62	180	452	802	1,659
8.96	186	469	831	1,718
9.31	193	485	860	1,778
9.65	199	501	889	1,839
10.00	207	518	918	1,898
10.34	214	534	947	1,958
10.69	220	550	976	2,019
11.03	227	567	1,005	2,078
11.38	233	583	1,035	2,138
11.72	239	600	1,064	2,199
12.06	246	616	1,093	2,258
12.41	252	632	1,122	2,318
12.75	259	648	1,151	2,377
13.10	265	665	1,180	2,439
13.44	272	681	1,209	2,498
13.79	278	694	1,238	2,557
14.13	285	714	1,267	2,619
14.48	291	730	1,296	2,678
14.82	298	746	1,325	2,738
15.17	305	763	1,353	2,797
15.51	311	778	1,382	2,858
15.86	318	796	1,411	2,918
16.20	324	812	1,440	2,977
16.55	331	828	1,469	3,038
16.89	337	844	1,498	3,098
17.24	344	860	1,527	3,157

SAFETY RELIEF VALVES

**16-200 SERIES**  
GENERAL PURPOSE PRESSURE RELIEF



Pressure relief valves relieve excess pressure in cold water supply systems, storage tanks, well pumps. Also suitable for air, oil and other non-hazardous liquids.

**FEATURES**

- Standard Pressure Settings from 50 to 175 psi
- Cast Bronze Body, Stainless Steel Springs
- Silicone Soft Seat Ensures Seat Tightness, Extended Service Life
- All Valves are 100% Factory Tested
- Maximum Recommended Service Temperature: 120°F
- Lead Free Option, Model 16LF is NSF/ANSI 372 Lead Free
- **Proudly Made in USA**

**AVAILABLE CONFIGURATIONS**

PART NUMBER	LF PART NUMBER	INLET SIZE (IN./MM)	DIMENSIONS (IN./MM)			WT./100 (LB./KG)
			A	B	C	
16-202	16LF-202	1/2 M X 1/2 F	1.41	2.12	1.00	33
		15 M x 15 F	36	54	25	15
16-203	16LF-203	3/4 M x 1/2 F	1.41	2.50	1.00	37.5
		20 M x 15 F	36	63	25	17

**ORDERING CODE**

- Use model number and two digit suffix number to indicate size and set pressure.

**P/N SUFFIX KEY**

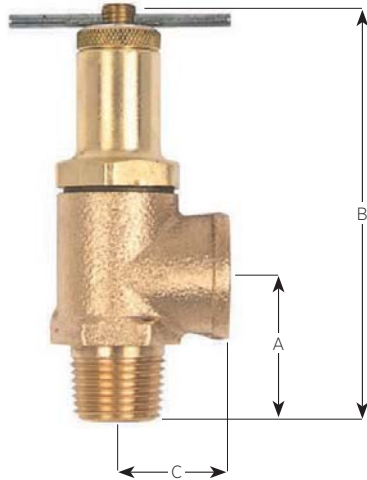
SET PRESSURE PSIG	SUFFIX
50	-01
75	-02
100	-03
125	-04
150	-05
175	-06

**EXAMPLE:**  
16-202-03 = 1/2" model set at 100 psig  
**NOTE:**  
Valves may be set for any pressure between 30 and 180 psi. Consult factory for pressure settings not shown.

SAFETY RELIEF VALVES

**16-501 SERIES**

GENERAL PURPOSE LIQUID RELIEF



Adjustable relief valves protect equipment by providing low volume liquid relief or bypass control. Excess volume may be discharged back to the low pressure source. Ideal for agricultural sprayers and simple commercial or industrial pressurized systems.

**FEATURES**

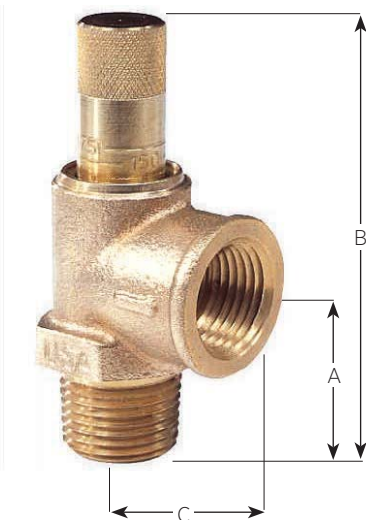
- Adjustable Relief Settings, in Two Ranges to 600 psi
- Cast Bronze Body, Stainless Steel Springs
- Choice of Nitrile (Buna) or PTFE Soft Seats
- Knurled Locknut Locks Pressure Adjustment
- Viton Stem Seal, Polypropylene Body Gasket
- Maximum Recommended Service Temperature: 200°F
- **Proudly Made in USA**

**AVAILABLE CONFIGURATIONS**

PART NUMBER	INLET SIZE (IN./MM)	RELIEF RANGE	SEAT MATERIAL	DIMENSIONS (IN./MM)			WT./100 (LB./KG)
				A	B	C	
16-501-01	1/2 M X 1/2 F 15 M x 15 F	50 - 250	Nitrile	1.29 33	4.12 105	1.00 25	62 28
16-501-02		250 - 600					
16-501-25		50 - 250	PTFE				
16-501-60		250 - 600					

**16-503 & 16-504 SERIES**

GENERAL PURPOSE LIQUID RELIEF



Calibrated pressure relief valve allows for in-line pressure adjustments without the need for a pressure gauge. Provides static overpressure protection for liquid filled systems such as well pumps, tanks, fire protection systems.

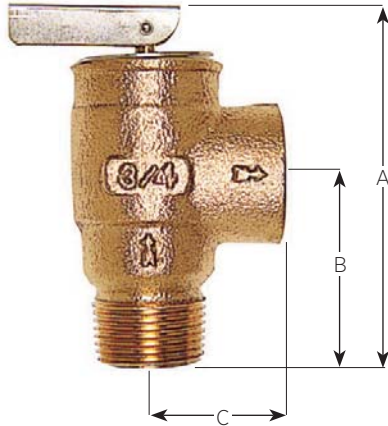
**FEATURES**

- Choice of 1/2" or 3/4" Inlet Connection
- Factory Preset at 100 psi
- Pressure Range 50 to 175 psi, Calibrated in 25 psi Increments
- Cast Bronze Body, Stainless Steel Spring
- Silicone Soft Seat, EPDM Cap Seal
- Maximum Recommended Service Temperature: 200°F
- Lead Free Option, Model 16LF is NSF/ANSI 372 Lead Free
- **Proudly Made in USA**

**AVAILABLE CONFIGURATIONS**

PART NUMBER	LF PART NUMBER	INLET SIZE (IN./MM)	DIMENSIONS (IN./MM)			WT./100 (LB./KG)
			A	B	C	
16-503-01	16LF-503-01	1/2 M X 1/2 F	1.31 33	3.44 87	1.00 25	37 17
		15 M x 15 F				
16-504-01	16LF-504-01	3/4 M X 1/2 F	1.31 33	3.44 87	1.00 25	37 17
		20 M x 15 F				

**17-400 SERIES**  
PRESSURE ONLY HOT WATER RELIEF



17-400 series pressure only relief valves are engineered to protect against excessive pressure buildup due to thermal expansion in hot water supply systems. Both models are CSA certified to ANSI Z21.22 "Relief Valves for Hot Water Supply Systems". In addition the 17-402 is design certified to ASME Section IV for hot water relief.

- Connection Sizes 1/2" (Model 17-401) and 3/4" (Model 17-402)
- CSA Verified to ANSI Z21.22
- Pressure Settings 75 thru 150 psi @ 250°F max.
- ASME Section IV Hot Water, Model 17-402 Only

**APPLICATIONS**

- **Model 17-401:** Overpressure Protection of Domestic Tankless Water Heaters (Instantaneous Water Heaters). Also Ideal for Protecting Plumbing and Well Systems, Small Liquid Filled Vessels and Similar Equipment from Thermal Expansion or Pressure Surges
- **Model 17-402:** In Addition to the Above, also Suitable for ASME Section IV Hot Water Heating and Supply Boilers and Storage Tanks

**FEATURES**

- Cast Bronze Body, Stainless Steel Springs
- Soft Seat for Durability, Extended Service Life
- Conforms to HUD / FHA Requirements
- CSA Certified to ANSI Z21.22
- CSA B-51, CRN OG8547.5C
- **Proudly Made in USA**

**AVAILABLE CONFIGURATIONS**

PART NUMBER	INLET SIZE (IN./MM)	CSA CAPACITY RATING	ASME CAPACITY RATING	DIMENSIONS (IN./MM)			WT./100 (LB./KG)
				A	B	C	
17-401	1/2 M X 1/2 F	15,000	-	3.26	1.73	1.16	57
	15 M X 15 F			83	44	29	26
17-402	3/4 M X 3/4 F	200,000	See table below	3.14	1.62	1.13	53
	20 M X 20 F			80	41	29	24

**ORDERING CODE**

Use model number and two-digit suffix number to indicate size and set pressure.

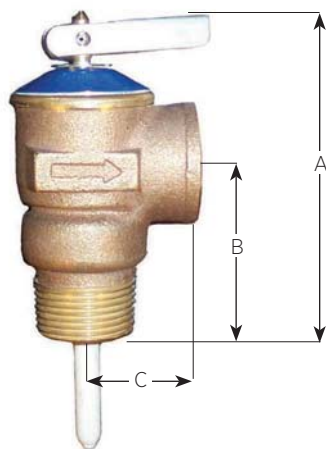
**P/N SUFFIX KEY**

SET PRESSURE PSIG	SUFFIX	BTU/HR. / ASME SEC. IV 17-402
75	-01	505,000
100	-02	648,000
125	-03	791,000
150	-04	934,000
160	-05	-

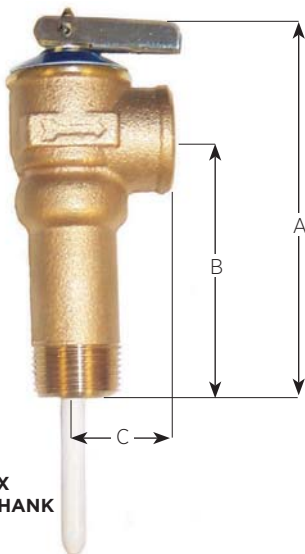
**EXAMPLE:**  
 17-401-03 = 1/2" model 17 set @ 125 psig.  
 17-402-04 = 3/4" model 17 set @ 150 psig.  
**NOTE:**  
 Valves may be set for any pressure between 70 and 175 psi.  
 Consult factory for pressure settings not shown.  
 ASME Section IV certified model 17-402 only, pressure settings 75 to 150 psig.



**18C-400 & 18C-402X SERIES**  
WATER HEATER T&P RELIEF



18C-400



18C-402X  
EXTENDED SHANK

Special statement regarding T&P Valves and compliance to the Lead Free requirements of the U.S. Safe Drinking Water Act.

Effective January 4th 2014 the SDWA requires that pipes, fittings or fixtures used to convey or dispense potable water must be lead free. Further clarification has been provided by the EPA in a document titled "Summary of the Reduction of Lead In Drinking Water Act and frequently Asked Questions". The latest document can be viewed on our website: [www.apollovalves.com](http://www.apollovalves.com)

FAQ #6 states that water heaters are covered by the Act and must comply. However most water heater OEM's are certifying their heaters as complete assemblies using non-Lead Free T&P valves due to their relatively small wetted surface area.

FAQ #23 acknowledges this and states that replacement parts (including T&P valves) need not be lead free as long as the entire water heater with all installed components overall device would meet the Lead Free requirements of the Act.

Automatic temperature and pressure relief valves feature unique non-metallic coating which protects the element against galvanic and electromechanical corrosion by isolating it from the heated water. This coating is electrostatically applied for uniform coverage, then thermobonded, resulting in optimum adhesion for extended service life.

- CSA Design Certified at all Settings to ANSI Z21.22
- ASME Section IV Rated at 125 and 150 psig Settings for 3/4 NPT Only

**APPLICATIONS**

- Temperature and Pressure Protection for Hot Water Heaters and Storage Tanks

**FEATURES**

- Meets HUD/FHA Requirements
- Cast Bronze Body, Stainless Steel Spring
- Rated @ 210°F Maximum
- CRN Registered in all Canadian Provinces and Territories
- ASME Capacity Certified to 500,000 BTU/hr.
- **Assembled in the USA**

**OPTIONS**

- Model 18C-402X Features a Body Inlet Extended 2" for Insulated Vessels

**AVAILABLE CONFIGURATIONS**

PART NUMBER	SIZE (IN./MM)	ELEMENT LENGTH (IN./MM)	CSA CAPACITY RATING BTU/HR	DIMENSIONS (IN./MM)			WT./100 (LB./KG)
				A	B	C	
18C-401	1/2 M x 1/2 F	1.44, 3 & 8"	15,000	3.25	1.75	1.13	64
	15 M x 15 F	37, 76 & 200		83	44	29	29
18C-402	3/4 M x 3/4 F	1.44"	95,000	3.25	1.75	1.13	64
	20 M x 20 F	37		83	44	29	29
18C-402	3/4 M x 3/4 F	3 & 8"	105,000	3.25	1.75	1.13	64
	20 M x 20 F	76 & 200		83	44	29	29
18C-402X	3/4 M x 3/4 F	3"	105,000	4.51	2.97	1.13	75
	20 M x 20 F	76		115	75	29	34

**ORDERING CODE**

Use model number and two-digit suffix number to indicate size and set pressure.

**P/N SUFFIX KEY - MODEL 18C-401**

SET PRESSURE PSIG	COATED ELEMENT LENGTH (IN.)	
	1.44"	3"
125	-27	-29
150	-28	-30

**EXAMPLE:**  
18C-402X-38 = 3/4" model 18C-402X set @ 150 psig with 3" element.  
18C-402-30 = 3/4" model 18C-402 set @ 150 psig with 3" element.

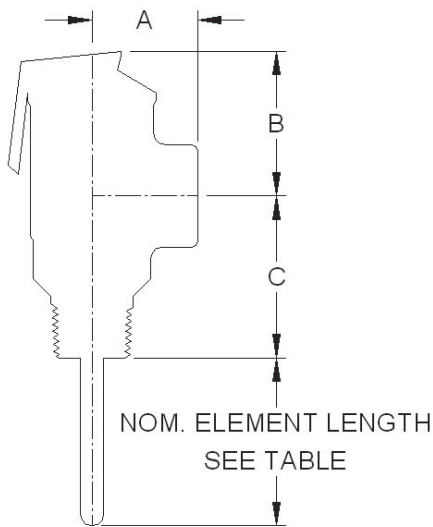
**P/N SUFFIX KEY - MODEL 18C-402**

SET PRESSURE PSIG	COATED ELEMENT LENGTH (IN.)		
	1.44"	3"	8"
125	-27	-29	-36
150	-28	-30	-37
175		-24	

**P/N SUFFIX KEY - MODEL 18C-402X - EXTENDED**

SET PRESSURE PSIG	COATED ELEMENT LENGTH (IN.)
	3"
125	-39
150	-38

**18C SERIES**  
BRONZE HIGH CAPACITY COMMERCIAL T&P



The Apollo 18C-500 Series bronze automatic temperature and pressure relief valves are used for protection of high capacity commercial hot water heaters and storage tanks.

**FEATURES**

- ASME Section IV Certified Capacity
- 3/4" thru 2" NPT Connections
- CSA Listed and Certified to ANSI Z21.22
- 125 and 150 psig Set Pressures at 210°F max
- Coated Element Protects Against Corrosion
- SS Elements (1-1/2" and 2")
- ASME Section IV Heating Boilers
- Canadian Registration Number CSA- OG1438.6C
- **Assembled in the USA**

**CAPACITY**

PART NUMBER	SIZE (IN.)	ELEMENT LENGTH (IN.)	INLET TYPE	CSA CAPACITY RATING BTU/HR	*ASME CAP. RATING BTU/HR
18C5113125	3/4"	2.69"	M	185,000	1,619,000
18C5113150	3/4"	2.69"	M	185,000	1,912,000
18C5115125	3/4"	4.38"	M	205,000	1,619,000
18C5115150	3/4"	4.38"	M	205,000	1,912,000
18C5118125	3/4"	7.56"	M	205,000	1,619,000
18C5118150	3/4"	7.56"	M	205,000	1,912,000
18C5123125	3/4"	2.88"	F	185,000	1,619,000
18C5123150	3/4"	2.88"	F	185,000	1,912,000
18C5125125	3/4"	4.56"	F	205,000	1,619,000
18C5125150	3/4"	4.56"	F	205,000	1,912,000
18C5128125	3/4"	7.75"	F	205,000	1,619,000
18C5128150	3/4"	7.75"	F	205,000	1,912,000
18C5213125	1"	3.06"	M	500,000	1,825,000
18C5213150	1"	3.06"	M	500,000	2,155,000
18C5215125	1"	4.75"	M	500,000	1,825,000
18C5215150	1"	4.75"	M	500,000	2,155,000
18C5225125	1"	4.75"	F	750,000	3,070,000
18C5225150	1"	4.75"	F	750,000	3,625,000
18C5228125	1"	8.13"	F	750,000	3,070,000
18C5228150	1"	8.13"	F	750,000	3,625,000
18C5314125	1-1/4" x 1"	3.97"	M	750,000	3,070,000
18C5314150	1-1/4" x 1"	3.97"	M	750,000	3,625,000
18C5424125	1-1/2"	4.13"	F	1,200,000	5,125,000
18C5424150	1-1/2"	4.13"	F	1,200,000	6,050,000
18C5513125	2" x 1-1/2"	3.25"	M	1,200,000	5,125,000
18C5513150	2" x 1-1/2"	3.25"	M	1,200,000	6,050,000

\* National Board certified capacity per ASME Section IV-Heating Boilers

**AVAILABLE CONFIGURATIONS**

PART NUMBER	INLET SIZE (IN./MM)	DIMENSIONS (IN./MM)		
		A	B	C
18C511	3/4" M x 3/4" FNPT	1.50	3.47	2.53
	(20)	(40)	(88)	(64)
18C512	3/4" F x 3/4" FNPT	1.50	3.47	2.35
	(20)	(40)	(88)	(60)
18C521	1" M x 1" FNPT	1.56	3.47	2.38
	(25)	(40)	(88)	(60)
18C522	1" F x 1" FNPT	1.56	3.47	2.13
	(25)	(40)	(88)	(54)
18C531	1-1/4" M x 1" FNPT	1.75	4.34	1.91
	(32)	(44)	(110)	(49)
18C542	1-1/2" M x 1-1/2" FNPT	2.47	5.84	1.71
	(40)	(63)	(148)	(43)
18C551	2" M x 1-1/2" FNPT	2.47	5.84	259
	(50)	(63)	(148)	(66)

Special statement regarding T&P Valves and compliance to the Lead Free requirements of the U.S. Safe Drinking Water Act.

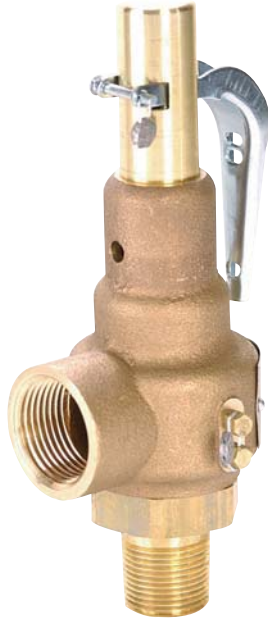
Effective January 4th 2014 the SDWA requires that pipes, fittings or fixtures used to convey or dispense potable water must be lead free. Further clarification has been provided by the EPA in a document titled "Summary of the Reduction of Lead In Drinking Water Act and frequently Asked Questions". The latest document can be viewed on our website [www.apollovalves.com](http://www.apollovalves.com)

FAQ #6 states that water heaters are covered by the Act and must comply. However most water heater OEM's are certifying their heaters as complete assemblies using non-Lead Free T&P valves due to their relatively small wetted surface area.

FAQ #23 acknowledges this and states that replacement parts (including T&P valves) need not be lead free as long as the entire water heater with all installed components overall device would meet the Lead Free requirements of the Act.

SAFETY RELIEF VALVES

**19 SERIES**  
BRONZE SAFETY VALVE



A dependable cast bronze high capacity safety valve ideal for use on all types of boilers, piping systems and unfired pressure vessels. This rugged design features top guided alignment for enhanced performance and reliability. Other features include optional metal seating, optional stainless steel wetted trim in all sizes, and a new, more descriptive model numbering system. Flow ratings are National Board certified in accordance with ASME sections I and VIII.

**ASME SECTIONS I AND VIII**

- Sizes 1/2" thru 2-1/2"
- Factory Set Pressures 5 to 300 psig
- Maximum Temperature: 406°F (Model 19S: 422°F)

**APPLICATIONS**

- Overpressure Protection of Steam Boilers, Sterilizers, Distillers, Cookers, and Pressure Reducing Stations.
- Pneumatic Conveying Equipment, Air Compressors, Receivers and Dryers. Steam, Air and Gas Accumulators, Pressure Vessels and Pressure Piping Systems.

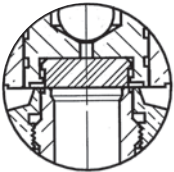
**FEATURES**

- Wide Wrenching Hex for Easier, Faster Installations
- Stainless Steel Springs are Standard
- Teflon® PFA Seat Resists Corrosive Boiler Chemicals and Excessive Vibration
- High-Capacity Full Nozzle Design Available in Six Orifice Sizes
- Two Control Rings for Maximum Performance and Adjustability
- Short "Tuned" Blow Down Minimizes Product Loss
- Tapped Body Drain Allows Piping of Condensate Safely Away From Equipment
- Reduced Repair Costs: Soft Seat Easily Replaced
- Registered in all Canadian Provinces Under CSA B51 CRN OG8547.5C
- **Proudly Made in USA**

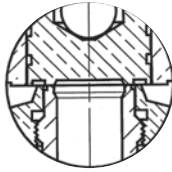
**OPTIONS**

- Choice of Teflon® or Metal-to-Metal Seating
- Steam Set Pressures to 300 psi @ 422°F (Model 19S, Stainless Steel Trim)
- 316 Stainless Steel Wetted Trim Available for all Sizes
- Anti-Vibration Dampened Lifting Lever
- Oxygen Cleaned
- European Pressure Equipment Directive Compliant Option (CE/PED)

**SEATS**



**SOFT SEAT**  
MODEL 19K - BRASS  
MODEL 19L - STAINLESS



**METAL-TO-METAL SEAT**  
MODEL 19M - BRASS  
MODEL 19S - STAINLESS

**TRIM STYLES**

SERIES	19K	19M	19L	19S
Trim	Brass	Brass	SS	SS
Seat	Teflon®	Metal to Metal	Teflon®	Metal to Metal
Max. Set - Steam	250	250	250	300
Max. Set - Air/Gas	300	300	300	300
Max. Temperature	406°F	406°F	406°F	422°F

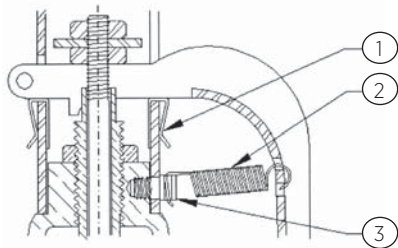
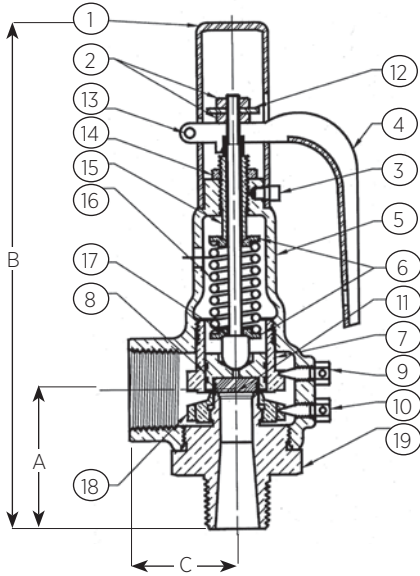
**PART NUMBER MATRIX**

19M	D	C	K	165	A
BASE MODEL NUMBER	ORIFICE LETTER	INLET SIZE (IN.) NPT	ASME CODE AND SERVICE	SET PRESSURE IN PSI	SPECIAL OPTIONS
19K - BRASS TRIM/ PFA TEFLON SEAT	D	C - 1/2	A - SECT. I STEAM		A - ANTI-VIBRATION TRIM
19M - BRASS TRIM/METAL SEAT	E	D - 3/4	K - SECT. VIII AIR		CE - CE/PED COMPLIANT
19L - STAINLESS TRIM/ PFA TEFLON SEAT	F	E - 1	L - SECT. VIII STEAM		Q - PERFORMANCE (CALIBRATION) TEST REPORT
19S - STAINLESS TRIM/METAL SEAT	G	F - 1-1/4	N - NON-CODE AIR		X - OXYGEN CLEANING
	H	G - 1-1/2	P - NON-CODE STEAM		*OTHER SUFFIXES - FACTORY ISSUED
	J	H - 2			
		J - 2-1/2			

EXAMPLE: 19K-DCL150 = 19 Series safety valve w/ PFA Teflon seat, D orifice, 1/2" x 3/4", Sect. VII Steam, set @ 150 psi,

SAFETY RELIEF VALVES

**19 SERIES**  
**BRONZE SAFETY VALVE**



SAFETY RELIEF VALVES

**STANDARD MATERIAL LIST**

		<b>19K, 19M</b>	<b>19L, 19S</b>
<b>1</b>	Cap	Brass	Brass
<b>2</b>	Stem Nut (2)	Steel, Plated	Steel, Plated
<b>3</b>	Cap Lock Screw	Brass	Brass
<b>4</b>	Lift Lever	Steel - Plated	Steel, Plated
<b>5</b>	Body	Bronze	Bronze
<b>6</b>	Spring Washer (2)	Brass	Brass
<b>7</b>	Guide Ring	Brass	Brass
<b>8</b>	Disc	Brass	Stainless Steel
<b>9</b>	Guide Ring Screw	Brass	Brass
<b>10</b>	Nozzle Ring Screw	Brass	Brass
<b>11</b>	Seat Insert-19K &19L	PFA Teflon*	PFA Teflon*
<b>12</b>	Lift Washer	Steel, Plated	Steel, Plated
<b>13</b>	Lever Pin	Steel, Plated	Steel, Plated
<b>14</b>	Adj. Screw Lock Nut	Steel, Plated	Steel, Plated
<b>15</b>	Adjusting Screw	Brass	Brass
<b>16</b>	Spring	Stainless Steel	Stainless Steel
<b>17</b>	Stem	Stainless Steel	Stainless Steel
<b>18</b>	Nozzle Ring	Brass	Brass
<b>19</b>	Nozzle	Brass	Stainless Steel
-	Nameplate	Stainless Steel	Stainless Steel
-	Seal And Wire	Lead/SS*	Lead/SS*

\* Alum/SS on CE models

**19 SERIES WITH OPTION "A" ANTI-VIBRATION TRIM**

<b>1</b>	<b>FRICION CLIP (4)</b>	Steel, Plated
<b>2</b>	<b>EXTENSION SPRING</b>	Stainless Steel
<b>3</b>	<b>CAP LOCK SCREW</b>	Stainless Steel

Note: Preparation includes threadlocking of all internal threaded connections.

**AVAILABLE CONFIGURATIONS**

OLD PART NUMBER	NEW PART NUMBER	ORIFICE LETTER	SIZE (IN./MM) INLET X OUTLET	DIMENSIONS (IN./MM)			WT./EA. (LB./KG)
				A	B	C	
19-202	19*DC	D	1/2 X 3/4	2.21	6.52	1.37	1.6
			15 x 20	56	166	35	.73
19-301	19*DD	D	3/4 X 3/4	2.21	6.52	1.37	1.6
			20 x 20	56	166	35	.73
19-302	19*ED	E	3/4 X 1	2.50	7.16	1.75	2.0
			20 x 25	64	182	44	.91
19-401	19*EE	E	1 X 1	2.64	7.30	1.75	2.2
			25 x 25	67	185	44	1.0
19-402	19*FE	F	1 X 1-1/4	2.95	9.34	2.00	4.1
			25 x 32	75	237	51	1.9
19-501	19*FF	F	1-1/4 X 1-1/4	2.95	9.34	2.00	4.3
			32 x 32	75	237	51	2.0
19-502	19*GF	G	1-1/4 X 1-1/2	3.38	11.01	2.37	7.4
			32 x 40	86	280	60	3.4
19-601	19*GG	G	1-1/2 X 1-1/2	3.38	11.01	2.37	7.6
			40 x 40	86	280	60	3.4
19-602	19*HG	H	1-1/2 X 2	3.63	11.96	2.75	11.5
			40 x 50	92	304	70	5.2
19-701	19*HH	H	2 X 2	3.63	11.96	2.75	11.6
			50 x 50	92	304	70	5.3
	19*JG <sup>1</sup>	J	1-1/2F X 2-1/2	3.80	14.00	3.50	20.0
			40 x 65	97	356	89	9.1
19-702	19*JH	J	2 X 2-1/2	4.06	14.25	3.50	19.9
			50 x 65	103	362	89	9.0
19-801	19*JJ	J	2-1/2 X 2-1/2	4.50	14.68	3.50	20.8
			65 x 65	114	373	89	9.4

\* Specify trim letter

<sup>1</sup>: Available in bronze trim only, Model 19KJG & 19MJG.

Connections are 1-1/2" FNPT x 2-1/2" FNPT.

## ASME SECTION I - STEAM

• Pounds per hour (kilograms per hour) saturated steam @ 3% overpressure. National Board Certified. Ratings are 90% of actual.

### US CUSTOMARY UNITS LB/HR.

ORIFICE LETTER AREA IN. <sup>2</sup>	D 0.129	E 0.230	F 0.359	G 0.589	H 0.919	J 1.509
<b>SET PRESSURE PSIG</b>						
15	174	310	484	794	1,240	2,035
20	201	359	561	920	1,435	2,356
25	229	408	637	1,045	1,631	2,677
30	256	457	713	1,170	1,826	2,998
35	284	506	790	1,296	2,022	3,319
40	311	555	866	1,421	2,217	3,641
45	339	604	942	1,546	2,413	3,962
50	366	653	1,019	1,672	2,608	4,283
55	394	702	1,095	1,797	2,804	4,604
60	421	751	1,172	1,922	2,999	4,925
65	448	800	1,248	2,048	3,195	5,246
70	476	849	1,326	2,175	3,394	5,573
75	505	900	1,405	2,304	3,596	5,904
80	533	950	1,483	2,433	3,797	6,234
85	561	1,001	1,562	2,563	3,998	6,565
90	590	1,051	1,641	2,692	4,200	6,896
95	618	1,101	1,719	2,821	4,401	7,226
100	646	1,152	1,798	2,950	4,602	7,557
105	674	1,202	1,877	3,079	4,804	7,888
110	703	1,253	1,955	3,208	5,005	8,218
115	731	1,303	2,034	3,337	5,207	8,549
120	759	1,353	2,113	3,466	5,408	8,880
125	787	1,404	2,191	3,595	5,609	9,210
130	816	1,454	2,270	3,724	5,811	9,541
135	844	1,505	2,349	3,853	6,012	9,872
140	872	1,555	2,427	3,982	6,213	10,202
145	900	1,605	2,506	4,111	6,415	10,533
150	929	1,656	2,585	4,240	6,616	10,864
160	985	1,757	2,742	4,499	7,019	11,525
170	1,042	1,857	2,899	4,757	7,422	12,186
180	1,098	1,958	3,057	5,015	7,824	12,848
190	1,155	2,059	3,214	5,273	8,227	13,509
200	1,211	2,160	3,371	5,531	8,630	14,170
210	1,268	2,261	3,529	5,789	9,033	14,832
220	1,324	2,361	3,686	6,047	9,436	15,493
230	1,381	2,462	3,843	6,305	9,838	16,154
240	1,438	2,563	4,001	6,564	10,241	16,816
250	1,494	2,664	4,158	6,822	10,644	17,477
255	1,522	2,714	4,237	6,951	10,845	17,808
260	1,551	2,765	4,315	7,080	11,047	18,138
265	1,579	2,815	4,394	7,209	11,248	18,469
270	1,607	2,865	4,473	7,338	11,449	18,800
275	1,635	2,916	4,551	7,467	11,651	19,130
280	1,664	2,966	4,630	7,596	11,852	19,461
285	1,692	3,017	4,709	7,725	12,053	19,792
290	1,720	3,067	4,787	7,854	12,255	20,122
295	1,748	3,117	4,866	7,983	12,456	20,453
300	1,777	3,168	4,945	8,112	12,658	20,784
Approx. 1 psi increments	5.7	10.0	15.6	25.8	40.2	66.0

### METRIC UNITS KG/HR.

ORIFICE LETTER AREA CM. <sup>2</sup>	D 0.835	E 1.483	F 2.315	G 3.800	H 5.932	J 9.733
<b>SET PRESSURE BARG</b>						
0.34	-	-	-	-	-	-
0.69	-	-	-	-	-	-
1.1	81	145	226	371	579	951
1.5	96	171	266	437	682	1,120
2	114	203	317	519	811	1,331
2.5	132	235	367	602	940	1,542
3	150	267	417	684	1,068	1,753
3.5	168	299	467	767	1,197	1,964
4	186	331	517	849	1,326	2,175
4.5	204	364	568	932	1,454	2,386
5	222	397	619	1,016	1,586	2,602
5.5	241	430	671	1,101	1,719	2,820
6	259	463	723	1,186	1,851	3,037
6.5	278	496	774	1,271	1,984	3,255
7	296	529	826	1,356	2,116	3,472
7.5	315	562	878	1,440	2,249	3,690
8	334	595	929	1,525	2,381	3,907
8.5	352	628	981	1,610	2,514	4,125
9	371	662	1,033	1,695	2,646	4,342
9.5	389	695	1,085	1,780	2,779	4,559
10	408	728	1,136	1,865	2,911	4,777
10.5	426	761	1,188	1,950	3,044	4,994
11	445	794	1,240	2,035	3,176	5,212
11.5	464	827	1,292	2,120	3,309	5,429
12	482	860	1,343	2,204	3,441	5,647
12.5	501	893	1,395	2,289	3,574	5,864
13	519	927	1,447	2,374	3,706	6,082
13.5	538	960	1,498	2,459	3,839	6,299
14	556	993	1,550	2,544	3,971	6,517
15	594	1,059	1,654	2,714	4,236	6,951
16	631	1,125	1,757	2,884	4,501	7,386
17	668	1,192	1,861	3,053	4,767	7,821
18	705	1,258	1,964	3,223	5,032	8,256
19	742	1,324	2,067	3,393	5,297	8,691
20	779	1,390	2,171	3,563	5,562	9,126
20.7	805	1,437	2,243	3,682	5,747	9,430
Approx. 0.1 barg increments	3.7	6.6	10.3	17.0	26.5	43.5

Note:  
Specify model 19S with stainless steel wetted trim for steam settings beyond 250 psig / 17.2 barg.

SAFETY RELIEF VALVES



## 19 SERIES BRONZE SAFETY VALVE

### ASME SECTION VIII - STEAM

• Pounds per hour (kilograms per hour) saturated steam at 10% overpressure. National Board Certified. Ratings are 90% of actual.

### US CUSTOMARY UNITS LB./HR.

ORIFICE LETTER AREA IN. <sup>2</sup>	D 0.129	E 0.230	F 0.359	G 0.589	H 0.919	J 1.509
<b>SET PRESSURE PSIG</b>						
5*	122	218	340	558	871	1,429
10*	167	298	466	765	1,193	1,958
15	179	320	499	820	1,279	2,100
20	207	369	576	945	1,474	2,421
25	234	418	652	1,070	1,670	2,742
30	262	467	729	1,195	1,865	3,063
35	292	521	813	1,333	2,080	3,416
40	322	574	897	1,471	2,295	3,769
45	352	628	981	1,609	2,510	4,122
50	383	682	1,065	1,747	2,725	4,475
55	413	736	1,149	1,885	2,941	4,828
60	443	790	1,233	2,022	3,156	5,181
65	473	844	1,317	2,160	3,371	5,535
70	503	897	1,401	2,298	3,586	5,888
75	534	951	1,485	2,436	3,801	6,241
80	564	1,005	1,569	2,574	4,016	6,594
85	594	1,059	1,653	2,712	4,231	6,947
90	624	1,113	1,737	2,849	4,446	7,300
95	654	1,167	1,821	2,987	4,661	7,653
100	684	1,220	1,905	3,125	4,876	8,007
105	715	1,274	1,989	3,263	5,091	8,360
110	745	1,328	2,073	3,401	5,306	8,713
115	775	1,382	2,157	3,539	5,521	9,066
120	805	1,436	2,241	3,677	5,736	9,419
125	835	1,489	2,325	3,814	5,951	9,772
130	866	1,543	2,409	3,952	6,167	10,125
135	896	1,597	2,493	4,090	6,382	10,479
140	926	1,651	2,577	4,228	6,597	10,832
145	956	1,705	2,661	4,366	6,812	11,185
150	986	1,759	2,745	4,504	7,027	11,538
155	1,017	1,812	2,829	4,641	7,242	11,891
160	1,047	1,866	2,913	4,779	7,457	12,244
165	1,077	1,920	2,997	4,917	7,672	12,597
170	1,107	1,974	3,081	5,055	7,887	12,951
180	1,167	2,082	3,249	5,331	8,317	13,657
190	1,228	2,189	3,417	5,606	8,747	14,363
200	1,288	2,297	3,585	5,882	9,177	15,069
210	1,349	2,405	3,753	6,158	9,608	15,776
220	1,409	2,512	3,921	6,433	10,038	16,482
230	1,469	2,620	4,089	6,709	10,468	17,188
240	1,530	2,727	4,257	6,985	10,898	17,894
250	1,590	2,835	4,425	7,260	11,328	18,601
255	1,620	2,889	4,509	7,398	11,543	18,954
260	1,651	2,943	4,593	7,536	11,758	19,307
265	1,681	2,997	4,677	7,674	11,973	19,660
270	1,711	3,050	4,761	7,812	12,188	20,013
275	1,741	3,104	4,845	7,950	12,403	20,366
280	1,771	3,158	4,929	8,087	12,618	20,720
285	1,801	3,212	5,013	8,225	12,834	21,073
290	1,832	3,266	5,097	8,363	13,049	21,426
295	1,862	3,320	5,181	8,501	13,264	21,779
300	1,892	3,373	5,265	8,639	13,479	22,132
Approx. 1 psi increments	6.0	10.8	16.8	27.6	43.0	70.6

### METRIC UNITS KG/HR.

ORIFICE LETTER AREA CM. <sup>2</sup>	D 0.835	E 1.483	F 2.315	G 3.800	H 5.932	J 9.733
<b>SET PRESSURE BARG</b>						
0.34*	55	99	154	253	395	648
0.69*	76	135	211	347	541	888
1.1	84	149	233	382	597	980
1.5	98	175	273	448	700	1,149
2	116	207	323	531	829	1,360
2.5	136	242	378	620	968	1,589
3	156	277	433	711	1,110	1,821
3.5	175	313	489	802	1,251	2,054
4	195	348	544	892	1,393	2,286
4.5	215	384	599	983	1,535	2,518
5	235	419	654	1,074	1,676	2,750
5.5	255	454	709	1,164	1,818	2,982
6	274	490	765	1,255	1,959	3,215
6.5	294	525	820	1,346	2,101	3,447
7	314	561	875	1,436	2,242	3,679
7.5	334	596	930	1,527	2,384	3,911
8	354	631	986	1,618	2,525	4,144
8.5	374	667	1,041	1,708	2,667	4,376
9	393	702	1,096	1,799	2,808	4,608
9.5	413	737	1,151	1,890	2,950	4,840
10	433	773	1,207	1,980	3,091	5,072
10.5	453	808	1,262	2,071	3,233	5,305
11	473	844	1,317	2,162	3,374	5,537
11.5	493	879	1,372	2,252	3,516	5,769
12	512	914	1,428	2,343	3,657	6,001
12.5	532	950	1,483	2,434	3,799	6,234
13	552	985	1,538	2,524	3,941	6,466
13.5	572	1,021	1,593	2,615	4,082	6,698
14	592	1,056	1,649	2,706	4,224	6,930
15	631	1,127	1,759	2,887	4,507	7,395
16	671	1,197	1,870	3,068	4,790	7,859
17	711	1,268	1,980	3,250	5,073	8,324
18	750	1,339	2,091	3,431	5,356	8,788
19	790	1,410	2,201	3,612	5,639	9,253
20	830	1,480	2,312	3,794	5,922	9,717
20.7	857	1,530	2,389	3,920	6,120	10,042
Approx. 0.1 barg increments	4.0	7.1	11.5	18.1	28.3	46.4

Note:  
Specify model 19S with stainless steel wetted trim for steam settings beyond 250 psig / 17.2 barg.  
\*Settings below 15 psi (1.1 barg) are non-ASME code.

SAFETY RELIEF VALVES

## 19 SERIES BRONZE SAFETY VALVE

### ASME SECTION VIII - AIR

• Standard cubic feet per minute (normalized cubic meters per hour) of air at 10% overpressure. National Board Certified. Ratings are 90% of actual.

### US CUSTOMARY UNITS SCFM

ORIFICE LETTER AREA IN. <sup>2</sup>	D 0.129	E 0.230	F 0.359	G 0.589	H 0.919	J 1.509
<b>SET PRESSURE PSIG</b>						
5*	39	69	108	178	277	455
10*	54	97	151	248	387	635
15	64	114	178	292	455	747
20	74	131	205	336	525	862
25	83	149	232	381	594	976
30	93	166	259	426	664	1,090
35	104	185	289	475	740	1,216
40	115	204	319	524	817	1,342
45	125	224	349	573	894	1,467
50	136	243	379	622	970	1,593
55	147	262	409	671	1,047	1,719
60	158	281	439	720	1,123	1,844
65	168	300	469	769	1,200	1,970
70	179	319	499	818	1,276	2,096
75	190	339	528	867	1,353	2,221
80	201	358	558	916	1,429	2,347
85	211	377	588	965	1,506	2,473
90	222	396	618	1,014	1,583	2,598
95	233	415	648	1,063	1,659	2,724
100	244	434	678	1,112	1,736	2,850
105	254	454	708	1,161	1,812	2,976
110	265	473	738	1,211	1,889	3,101
115	276	492	768	1,260	1,965	3,227
120	287	511	798	1,309	2,042	3,353
125	297	530	828	1,358	2,118	3,478
130	308	549	857	1,407	2,195	3,604
135	319	568	887	1,456	2,271	3,730
140	330	588	917	1,505	2,348	3,855
145	340	607	947	1,554	2,425	3,981
150	351	626	977	1,603	2,501	4,107
160	373	664	1,037	1,701	2,654	4,358
165	383	683	1,067	1,750	2,731	4,484
170	394	703	1,097	1,799	2,807	4,610
180	416	741	1,156	1,897	2,960	4,861
190	437	779	1,216	1,996	3,114	5,112
200	459	818	1,276	2,094	3,267	5,364
210	480	856	1,336	2,192	3,420	5,615
220	502	894	1,396	2,290	3,573	5,867
230	523	932	1,456	2,388	3,726	6,118
240	545	971	1,515	2,486	3,879	6,369
250	566	1,009	1,575	2,584	4,032	6,621
255	577	1,028	1,605	2,633	4,109	6,746
260	587	1,047	1,635	2,682	4,185	6,872
265	598	1,067	1,665	2,731	4,262	6,998
270	609	1,086	1,695	2,781	4,338	7,124
275	620	1,105	1,725	2,830	4,415	7,249
280	630	1,124	1,755	2,879	4,491	7,375
285	641	1,143	1,784	2,928	4,568	7,501
290	652	1,162	1,814	2,977	4,645	7,626
295	663	1,182	1,844	3,026	4,721	7,752
300	673	1,201	1,874	3,075	4,798	7,878
Approx. 1 psi increments	2.1	3.8	6.0	9.8	15.3	25.1

### METRIC UNITS Nm<sup>3</sup>/HR.

ORIFICE LETTER AREA CM. <sup>2</sup>	D 0.835	E 1.483	F 2.315	G 3.800	H 5.932	J 9.733
<b>SET PRESSURE BARG</b>						
0.34*	66	118	184	302	471	773
0.69*	92	164	256	421	657	1,078
1.1	112	199	311	510	796	1,306
1.5	131	233	364	598	933	1,531
2	155	276	431	708	1,105	1,813
2.5	181	323	504	827	1,291	2,119
3	207	370	578	948	1,480	2,428
3.5	234	417	651	1,069	1,669	2,738
4	260	464	725	1,190	1,857	3,047
4.5	287	511	799	1,311	2,046	3,357
5	313	559	872	1,431	2,235	3,667
5.5	340	606	946	1,552	2,423	3,976
6	366	653	1,020	1,673	2,612	4,286
6.5	392	700	1,093	1,794	2,801	4,596
7	419	747	1,167	1,915	2,989	4,905
7.5	445	795	1,241	2,036	3,178	5,215
8	472	842	1,314	2,157	3,367	5,524
8.5	498	889	1,388	2,278	3,555	5,834
9	525	936	1,461	2,398	3,744	6,144
9.5	551	983	1,535	2,519	3,933	6,453
10	577	1,030	1,609	2,640	4,122	6,763
10.5	604	1,078	1,682	2,761	4,310	7,072
11	630	1,125	1,756	2,882	4,499	7,382
11.5	657	1,172	1,830	3,003	4,688	7,692
12	683	1,219	1,903	3,124	4,876	8,001
12.5	710	1,266	1,977	3,245	5,065	8,311
13	736	1,313	2,051	3,365	5,254	8,621
13.5	763	1,361	2,124	3,486	5,442	8,930
14	789	1,408	2,198	3,607	5,631	9,240
15	842	1,502	2,345	3,849	6,008	9,859
16	895	1,596	2,493	4,091	6,386	10,478
17	948	1,691	2,640	4,332	6,763	11,097
18	1,000	1,785	2,787	4,574	7,141	11,717
19	1,053	1,879	2,935	4,816	7,518	12,336
20	1,106	1,974	3,082	5,058	7,895	12,955
20.7	1,143	2,040	3,185	5,227	8,160	13,389
Approx. 0.1 barg increments	5.3	9.4	14.7	24.2	37.7	61.9

Note:  
To correct for temperature or specific gravities other than air (=1.0), multiply the SCFM from the capacity tables by factor Ksg  
\*Settings below 15 psi (1.1 barg) are non-ASME code.

**29 SERIES**  
OEM STYLE BRONZE SAFETY VALVE



**New!** Updated Teflon® Seat Design



The Apollo 29 Series is ideally suited for OEM applications where compact size, dependable performance and maximum economy are required. These rugged safety valves feature a top guided design and patented Teflon® “soft-seat” for dramatically reduced seat leakage. Flow ratings are National Board certified.

**ASME SECTIONS I AND VIII**

- Sizes 3/8” - 1-1/4” NPT
- Factory Set Pressures 30 to 200 psig
- Maximum Temperature: 406° F

**APPLICATIONS**

- Small to Medium Sized Steam Power Boilers, Sterilizers and Distillers, Air Compressors and Receivers, Pressure Vessels and Pressure Piping Systems

**FEATURES**

- Stainless Steel Springs are Standard
- PFA Teflon® Seat Resists Corrosive Boiler Chemicals
- Rust-Proofed Steel Stem and Spring Washers
- Lower Control Ring Ensures Short, Consistent Blowdown
- Tapped Body Drain Allows Piping of Condensate Away from Equipment
- Reduced Repair Costs; Soft Seat Easily Replaced
- Registered in all Canadian Provinces Under CSA B51 CRN OG8547.5C
- **Proudly Made in USA**

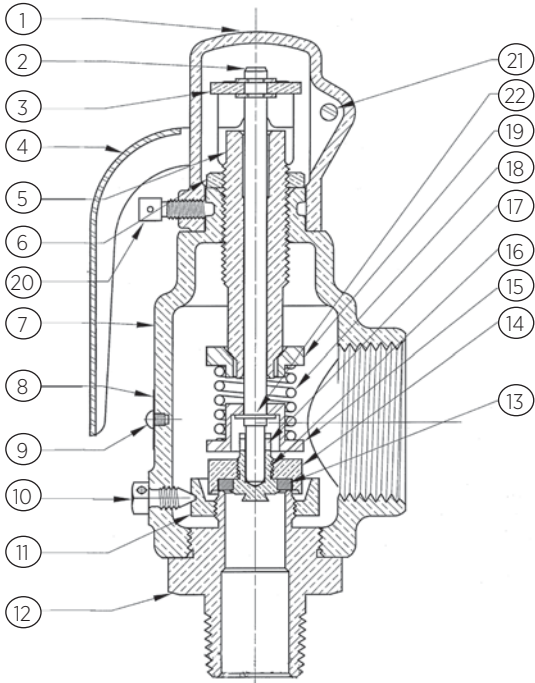
**OPTIONS**

- 316 Stainless Steel Wetted Trim (29-202 & 29-303 Sizes Only)
- Oxygen Cleaned
- European Pressure Equipment Directive Compliant Option (CE/PED)

**STANDARD MATERIAL LIST**

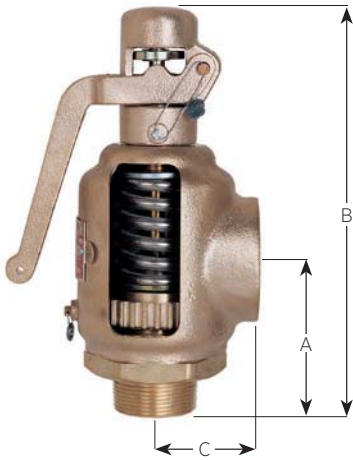
1	Cap	Bronze or Brass
2	Stem	Steel, Plated
3	Lift Washer	Steel, Plated
4	Lift Lever	Steel, Plated
5	Adjusting Screw	Brass
6	Lock Nut	Brass
7	Body	Bronze
8	Nameplate	Stainless Steel
9	Drive Screws	Stainless Steel
10	Set Screw	Brass
11	Blowdown Ring	Brass
12	Nozzle*	Brass/Stainless
13	Seat Insert	Teflon® PFA
14	Disc Holder	Brass
15	Lower Washer	Steel, Plated
16	Seat Retainer*	Brass/Stainless
17	Stem Pin	Stainless Steel
18	Spring	Stainless Steel
19	Upper Washer	Steel, Plated
20	Lock Screw	Steel, Plated
21	Lever Pin	Steel, Plated
22	Retaining Ring	Stainless Steel
-	Seal & Wire	Lead/Steel

\*Optional stainless steel wetted trim for models 29-202XXL and 29-302XXL. Items 12 & 16 are type 316 stainless steel.



SAFETY RELIEF VALVES

**29 SERIES**  
OEM STYLE BRONZE SAFETY VALVE



**AVAILABLE CONFIGURATIONS**

PART NUMBER	SIZE (IN./MM)		WT./EA. (LB./KG)	DIMENSIONS (IN./MM)		
	INLET	OUTLET		A	B	C
29-102	3/8	1	1.30	2.12	5.40	1.25
	10	25	.59	53	137	31
29-202	1/2	1	1.33	2.12	5.40	1.25
	15	25	.60	53	137	31
29-302	3/4	1	1.90	2.12	5.40	1.25
	20	25	.86	53	137	31
29-303	3/4	1-1/4	3.43	2.75	7.25	1.69
	20	32	1.55	69	184	42
29-402	1	1-1/4	3.43	2.75	7.25	1.69
	25	32	1.55	69	184	42
29-501	1-1/4	1-1/4	3.48	2.75	7.25	1.69
	32	32	1.58	69	184	42

**PART NUMBER MATRIX**

29	202	A	100	A
BASE MODEL NUMBER	INLET X OUTLET (NPT)	ASME CODE & SERVICE	SET PRESSURE (PSI)	SPECIAL OPTIONS
BRONZE WITH BRASS TRIM AND TEFLON® SOFT SEAT	102 - 3/8 X 1	A - SEC I STEAM	SET PRESSURE (PSIG) (RANGE 30-200 PSIG)	S - STAINLESS STEEL WETTED TRIM (MODELS 29-202 & 29-303 ONLY)
	202 - 1/2 X 1	K - SEC VIII AIR		C - CE/PED
	302 - 3/4 X 1	L - SEC VIII STEAM		Q - PERFORMANCE (CALIBRATION) TEST REPORTS
	303 - 3/4 X 1-1/4			
	402 - 1 X 1-1/4			
	501 - 1-1/4 X 1-1/4			*OTHER SUFFIXES - FACTORY ISSUED

*\*Not all configurations available together*

**EXAMPLE:**  
 29 202 A100 = 1/2" x 1" 29 Series set @ 100 psig, ASME Section I "V" Steam  
 29 202 L40 = 1/2" x 1" 29 Series set @ 40 psig, ASME Section VIII "UV" Steam  
 29 303 K200 S = 3/4" x 1-1/4" 29 Series set @ 200 psig, ASME Section VIII "UV" Air, Stainless Steel Wetted Trim

SAFETY RELIEF VALVES

## 29 SERIES BRONZE SAFETY

### ASME SECTION I - STEAM

• Pounds per hour (kilograms per hour) saturated steam at 3% overpressure. National Board Certified. Ratings are 90% of actual.

#### US CUSTOMARY UNITS LB./HR.

PART NO. SEAT DIA. (IN.)	29-102, 29-202, 29-302 0.500	29-303, 29-402, 29-501 0.737
<b>SET PRESSURE PSIG</b>		
30	164	330
35	182	367
40	201	405
45	220	442
50	238	479
55	257	517
60	275	554
65	294	591
70	312	628
75	331	664
80	349	702
85	368	739
90	386	777
95	405	814
100	423	851
105	442	888
110	460	925
115	479	963
120	497	1,000
125	516	1,036
130	534	1,074
135	553	1,112
140	571	1,149
145	590	1,186
150	608	1,223
155	627	1,261
160	645	1,298
165	664	1,335
170	683	1,372
175	701	1,409
180	720	1,447
185	738	1,484
190	757	1,521
195	775	1,558
200	794	1,596
Approx. 1 psi increments	3.7	7.4

#### METRIC UNITS KG/HR.

PART NO. SEAT DIA. (MM)	29-102, 29-202, 29-302 12.70	29-303, 29-402, 29-501 18.72
<b>SET PRESSURE BARG</b>		
2.1	77	155
2.5	86	174
3	98	197
3.5	110	221
4	122	245
4.5	134	269
5	146	293
5.5	158	318
6	170	342
6.5	182	367
7	195	391
7.5	207	416
8	219	440
8.5	231	465
9	243	489
9.5	255	514
10	268	538
10.5	280	563
11	292	587
11.5	304	612
12	316	636
12.5	329	661
13	341	685
13.5	353	710
13.8	360	724
Approx. 0.1 barg increments	2.44	4.9

SAFETY RELIEF VALVES



## 29 SERIES BRONZE SAFETY

### ASME SECTION VIII - STEAM

• Pounds per hour (kilograms per hour) saturated steam at 10% overpressure. National Board Certified. Ratings are 90% of actual.

#### US CUSTOMARY UNITS LB./HR.

PART NO. SEAT DIA. (IN.)	29-102, 29-202, 29-302 0.500	29-303, 29-402, 29-501 0.737
<b>SET PRESSURE PSIG</b>		
30	164	330
35	182	367
40	201	405
45	220	442
50	238	479
55	257	517
60	275	554
65	294	591
70	312	628
75	331	664
80	349	702
85	368	739
90	386	777
95	405	814
100	423	851
105	442	888
110	460	925
115	479	963
120	497	1,000
125	516	1,036
130	534	1,074
135	553	1,112
140	571	1,149
145	590	1,186
150	608	1,223
155	627	1,261
160	645	1,298
165	664	1,335
170	683	1,372
175	701	1,409
180	720	1,447
185	738	1,484
190	757	1,521
195	775	1,558
200	794	1,596
Approx. 1 psi increments	3.7	7.4

#### METRIC UNITS KG/HR.

PART NO. SEAT DIA. (MM)	29-102, 29-202, 29-302 12.70	29-303, 29-402, 29-501 18.72
<b>SET PRESSURE BARG</b>		
2.1	79	158
2.5	89	179
3	102	205
3.5	115	231
4	128	257
4.5	141	284
5	154	310
5.5	167	336
6	180	362
6.5	193	388
7	206	414
7.5	219	441
8	232	467
8.5	245	493
9	258	519
9.5	271	545
10	284	571
10.5	297	598
11	310	624
11.5	323	650
12	336	676
12.5	349	702
13	362	728
13.5	375	755
13.8	383	770
Approx. 0.1 barg increments	2.6	5.22

SAFETY RELIEF VALVES

## 29 SERIES BRONZE SAFETY

### ASME SECTION VIII - AIR

• Standard cubic feet per minute (normalized cubic meters per hour) of air at 10% overpressure. National Board Certified. Ratings are 90% of actual.

#### US CUSTOMARY UNITS SCFM

PART NO. SEAT DIA. (IN.)	29-102, 29-202, 29-302 0.500	29-303, 29-402, 29-501 0.737
<b>SET PRESSURE PSIG</b>		
30	61	123
35	68	137
40	75	151
45	82	165
50	89	180
55	96	193
60	103	208
65	110	222
70	117	236
75	124	250
80	131	264
85	138	278
90	145	292
95	152	307
100	159	321
105	166	335
110	173	349
115	180	363
120	187	378
125	194	392
130	201	406
135	208	420
140	215	434
145	222	448
150	229	463
155	236	477
160	243	491
165	250	505
170	257	519
175	265	533
180	272	547
185	279	562
190	286	576
195	293	590
200	300	604
Approx. 1 psi increments	1.4	2.8

#### METRIC UNITS Nm<sup>3</sup>/HR.

PART NO. SEAT DIA. (MM)	29-102, 29-202, 29-302 12.70	29-303, 29-402, 29-501 18.72
<b>SET PRESSURE BARG</b>		
2.1	105	210
2.5	118	238
3	136	273
3.5	153	308
4	170	342
4.5	188	377
5	205	412
5.5	222	447
6	240	482
6.5	257	516
7	274	551
7.5	291	586
8	309	621
8.5	326	655
9	343	690
9.5	361	725
10	378	760
10.5	395	795
11	413	829
11.5	430	864
12	447	899
12.5	464	934
13	482	969
13.5	499	1,003
13.8	509	1,024
Approx. 0.1 barg increments	3.46	6.96

SAFETY RELIEF VALVES

**119 SERIES**  
CAST IRON FLANGED SAFETY VALVE



These flanged, heavy duty and high capacity safety valves are ideal for use on all types of boilers, pressure vessels and pressure piping systems. These ruggedly built valves offer you a cost-saving alternative to conventional steel bodied valves — without compromising quality or performance. These valves feature a top guided design and two control rings to ensure seat tightness, repeatable performance and extended service life. Flow ratings are National Board certified.

**ASME SECTIONS I AND VIII**

- Set Pressures to 250 psig @ 450°F max
- Flanged Inlet Sizes 1-1/2" thru 6" ANSI 250 lb.
- Threaded Inlet Sizes 2" thru 3" FNPT

**APPLICATIONS**

- Overpressure Protection of Steam Boilers, Deaerators, Accumulators, Pressure Reducing Stations and Pressure Piping Systems
- Pneumatic Conveying Equipment, Air and Gas Compressors, Receivers and Dryers. Per ASME Code, Cast Iron PRESSURE RELIEF Valves Must Not be Used for Lethal or Flammable Fluid Service

**FEATURES**

- Metal-to-Metal Seating, Lapped to Optical Flatness
- High-Capacity Semi-Nozzle Design Available in 8 Orifice Sizes
- Stainless Steel Wetted Trim is Standard
- Two Control Rings Assure Maximum Performance and Dependability
- Designed for New Installations and Replacement of Existing Valves (High Flow Rates and Face-to-Face Dimensions Enable Direct Replacement of Most Competitive Models)
- Designed for Ease of Service or Repair
- Ductile Iron Caps, Forks and Levers for Added Durability
- Registered in all Canadian Provinces Under CSA B51, CRN OG8547.5C
- **Complies with American Iron and Steel and Pennsylvania Steel Procurement Acts**
- **Proudly Made in USA**

**OPTIONS**

- Drip Pan Elbows for Discharge Piping
- European Pressure Equipment Directive Compliant Option (CE/PED)

**PART NUMBER MATRIX**

119	K	H	C	A	MAA	0150	Q	
SERIES NUMBER	ORIFICE LETTER	INLET (IN.)	CONNECTION	SERVICE	SPECIAL OPTIONS	SET PRESSURE	SUFFIX	
119 - STAINLESS STEEL WETTED TRIM	THE ORIFICE LETTER FROM THE CAPACITY CHART (E36-E-39)	G - 1-1/2	A - FNPT X FNPT	A - SEC I STEAM	FACTORY ISSUED LETTERS/NUMBERS (MAA DEFAULT)	SET PRESSURE, PSIG (4 DIGITS)	Q - PERFORMANCE (CALIBRATION) TEST REPORTS	
		H - 2	C - 250# X FNPT	K - SEC VIII AIR				
		J - 2-1/2	D - 250# X 125#	L - SEC VIII STEAM				
				K - 3		N - NON CODE AIR	MCE - CE/PED	
				M - 4		P - NON CODE STEAM		
				P - 6				

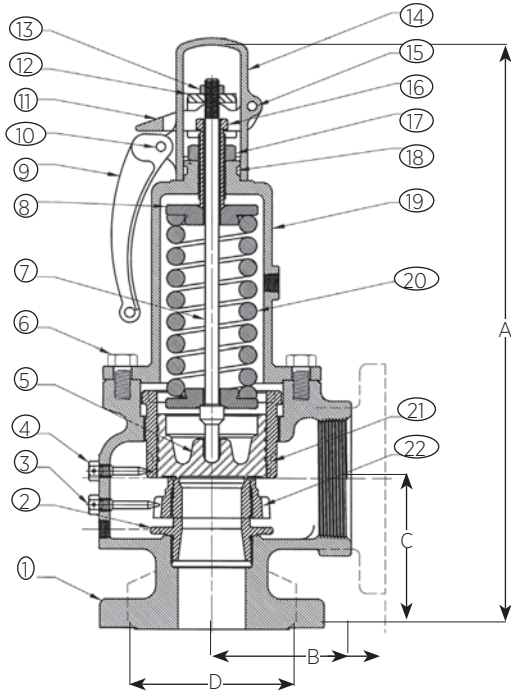
**EXAMPLES:**

119 KHC A MAA 0150 = 2" "K" 3" ASME Section I Steam, set @ 150 psig with flanged inlet  
119 QPD L MAA 0025 = 6" "K" 8" ASME Section VIII Steam, set @ 25 psig with flanged inlet

See page E-36 for a summary of available inlet/outlet configurations

SAFETY RELIEF VALVES

**119 SERIES**  
CAST IRON FLANGED SAFETY VALVE



**STANDARD MATERIAL LIST**

1	Body	Gray Iron
2	Nozzle	Stainless Steel
3	Nozzle Ring Screw	Brass
4	Guide Ring Screw	Brass
5	Disc	Stainless Steel
6	Bonnet Bolt	Steel, Plated
7	Stem	Steel, Plated
8	Spring Washer	Steel, Plated
9	Test Lever	Ductile Iron
10	Clevis Pin	Steel, Plated
11	Lifting Fork	Ductile Iron
12	Stem Nut	Steel, Plated
13	Stem Nut Lock Nut	Steel, Plated
14	Lifting Cap	Ductile Iron
15	Clevis Pin	Steel (Plated)
16	Adjusting Screw	Brass
17	Lock Nut	Steel, Plated
18	Lift Cap Lockscrew	Steel, Plated
19	Bonnet	Gray Iron
20	Spring	Steel, Plated or SS
21	Disc Guide	Brass or Bronze
22	Nozzle Ring	Brass or Bronze
-	Nameplate	Aluminum
-	Seal And Wire	Lead/Steel
-	Seal And Wire (Ce)	Aluminum/SS

**AVAILABLE CONFIGURATIONS**

PART NUMBER	SIZE (IN./MM) INLET X OUTLET	ORIFICE SIZE	DIMENSIONS (IN./MM)			HEX FLAT D (IN./MM)	WEIGHT (LB./KG)
			A	B	C		
119 JGC	1-1/2 250# X 2-1/2 FNPT	J	15	4	4.31		35
	DN40 x DN65		381	101	109		15.8
119 KHC	2 250# X 3 FNPT	K	16	4	4.63		36
	DN50 x DN80		406	101	109		16.3
119 KHA	2 FNPT X 3 FNPT	K	16	4	4.63	3.75	37
	DN50 x DN80		406	101	109	95	16.7
119 KJC	2-1/2 250# X 3 FNPT	K	16	4	4.63		41
	DN65 x DN80		406	101	109		18.6
119 KKC	3 250# X 3 FNPT	K	16	4	4.63		45
	DN80 x DN80		406	101	109		20.5
119 LJC	2-1/2 250# X 4 FNPT	L	22	5.13	5.63		84
	DN65 x DN100		558	130	143		38.1
119 LJA	2-1/2 FNPT X 4 FNPT	L	22	5.13	5.63	5.38	81
	DN65 x DN100		558	130	143	136	36.7
119 LKC	3 250# X 4 FNPT	L	22	5.13	5.63		85
	DN80 x DN100		558	130	143		38.5
119 LMC	4 250# X 4 FNPT	L	22	5.13	5.63		90
	DN100 x DN100		558	130	143		40.9
119 MKA	3 FNPT X 4 FNPT	M	22	5.13	5.63	5.38	80
	DN80 x DN100		558	130	143	136	36.2
119 MKC	3 250# X 4 FNPT	M	22	5.13	5.63		87
	DN80 x DN100		558	130	143		39.4
119 MMC	4 250# X 4 FNPT	M	22	5.13	5.63		95
	DN100 x DN100		558	130	143		43.2
119 NMD	4 250# X 6 125#	N	28	7.25	6.75		210
	DN100 x DN150		711	184	171		95.2
119 PMD	4 250# X 6 125#	P	28	7.25	6.75		215
	DN100 x DN150		711	184	171		97.5
119 QPD	6 250# X 8 125#	Q	42	10	9.25		530
	DN150 x DN200		1066	254	234		240.4
119 RPD	6 250# X 8 125#	R	42	10	9.25		530
	DN150 x DN200		1066	254	234		240.4

## 119 SERIES

### CAST IRON FLANGED SAFETY VALVE

#### ASME SECTION I - STEAM

• Pounds per hour (kilograms per hour) saturated steam at 3% overpressure. National Board Certified. Ratings are 90% of actual.

#### US CUSTOMARY UNITS LB./HR.

ORIFICE LETTER AREA IN. <sup>2</sup>	J 1.358	K 1.926	L 2.99	M 3.774	N 4.55	P 6.692	Q 11.593	R 16.786
<b>SET PRESSURE PSIG</b>								
15	1,947	2,761	4,286	5,410	6,522	9,592	16,617	24,061
20	2,254	3,196	4,962	6,263	7,551	11,105	19,238	27,856
25	2,561	3,632	5,638	7,116	8,579	12,618	21,859	31,651
30	2,868	4,067	6,314	7,969	9,608	14,131	24,480	35,446
35	3,175	4,502	6,990	8,823	10,637	15,644	27,101	39,241
40	3,482	4,938	7,666	9,676	11,665	17,157	29,722	43,036
45	3,789	5,373	8,342	10,529	12,694	18,670	32,343	46,831
50	4,096	5,809	9,018	11,382	13,723	20,183	34,964	50,626
55	4,403	6,244	9,694	12,236	14,751	21,696	37,585	54,421
60	4,710	6,680	10,370	13,089	15,780	23,209	40,206	58,216
65	5,017	7,115	11,046	13,942	16,809	24,722	42,827	62,011
70	5,330	7,559	11,735	14,812	17,858	26,265	45,501	65,882
75	5,646	8,008	12,432	15,691	18,918	27,823	48,200	69,791
80	5,962	8,456	13,128	16,570	19,977	29,382	50,900	73,700
85	6,279	8,905	13,824	17,449	21,037	30,940	53,600	77,609
90	6,595	9,353	14,520	18,328	22,096	32,498	56,299	81,518
95	6,911	9,802	15,217	19,207	23,156	34,057	58,999	85,427
100	7,227	10,250	15,913	20,085	24,215	35,615	61,698	89,336
105	7,544	10,699	16,609	20,964	25,275	37,173	64,398	93,245
110	7,860	11,147	17,305	21,843	26,334	38,732	67,098	97,154
115	8,176	11,596	18,002	22,722	27,394	40,290	69,797	101,063
120	8,492	12,044	18,698	23,601	28,453	41,848	72,497	104,971
125	8,809	12,493	19,394	24,480	29,513	43,407	75,197	108,880
130	9,125	12,941	20,091	25,358	30,573	44,965	77,896	112,789
135	9,441	13,390	20,787	26,237	31,632	46,524	80,596	116,698
140	9,757	13,838	21,483	27,116	32,692	48,082	83,295	120,607
145	10,073	14,287	22,179	27,995	33,751	49,640	85,995	124,516
150	10,390	14,735	22,876	28,874	34,811	51,199	88,695	128,425
155	10,706	15,184	23,572	29,753	35,870	52,757	91,394	132,334
160	11,022	15,632	24,268	30,631	36,930	54,315	94,094	136,243
165	11,338	16,081	24,964	31,510	37,989	55,874	96,794	140,152
170	11,655	16,529	25,661	32,389	39,049	57,432	99,493	144,061
175	11,971	16,978	26,357	33,268	40,108	58,990	102,193	147,969
180	12,287	17,426	27,053	34,147	41,168	60,549	104,893	151,878
185	12,603	17,875	27,750	35,026	42,228	62,107	107,592	155,787
190	12,920	18,323	28,446	35,905	43,287	63,665	110,292	159,696
195	13,236	18,772	29,142	36,783	44,347	65,224	112,991	163,605
200	13,552	19,220	29,838	37,662	45,406	66,782	115,691	167,514
205	13,868	19,669	30,535	38,541	46,466	68,340	118,391	171,423
210	14,184	20,117	31,231	39,420	47,525	69,899	121,090	175,332
215	14,501	20,566	31,927	40,299	48,585	71,457	123,790	179,241
220	14,817	21,014	32,623	41,178	49,644	73,015	126,490	183,150
225	15,133	21,463	33,320	42,056	50,704	74,574	129,189	187,059
230	15,449	21,911	34,016	42,935	51,764	76,132	131,889	190,958
235	15,766	22,360	34,712	43,814	52,823	77,691	134,589	194,876
240	16,082	22,808	35,409	44,693	53,883	79,249	137,288	198,785
245	16,398	23,257	36,105	45,572	54,942	80,807	139,988	202,694
250	16,714	23,705	36,801	46,451	56,002	82,366	142,687	206,603
Approx. 1 psi Increments	63	90	139	176	212	312	540	782

#### METRIC UNITS KG/HR.

ORIFICE LETTER AREA CM. <sup>2</sup>	J 8.762	K 12.426	L 19.287	M 24.347	N 29.357	P 43.174	Q 74.795	R 108.294
<b>SET PRESSURE BARG</b>								
1.1	910	1,290	2,002	2,527	3,048	4,482	7,764	11,242
1.5	1,071	1,519	2,358	2,976	3,589	5,278	9,144	13,239
2	1,273	1,806	2,803	3,538	4,266	6,274	10,868	15,736
2.5	1,475	2,092	3,247	4,099	4,943	7,269	12,593	18,233
3	1,677	2,379	3,692	4,660	5,619	8,264	14,317	20,729
3.5	1,879	2,665	4,137	5,222	6,296	9,260	16,041	23,226
4	2,081	2,952	4,581	5,783	6,973	10,255	17,766	25,723
4.5	2,283	3,238	5,026	6,344	7,650	11,250	19,490	28,219
5	2,490	3,531	5,481	6,919	8,343	12,270	21,256	30,776
5.5	2,698	3,827	5,939	7,497	9,040	13,295	23,032	33,348
6	2,906	4,122	6,397	8,075	9,737	14,320	24,808	35,919
6.5	3,114	4,417	6,855	8,653	10,434	15,345	26,584	38,491
7	3,322	4,712	7,313	9,232	11,131	16,371	28,360	41,062
7.5	3,530	5,007	7,771	9,810	11,828	17,396	30,136	43,634
8	3,738	5,302	8,229	10,388	12,526	18,421	31,912	46,205
8.5	3,947	5,597	8,687	10,966	13,223	19,446	33,689	48,777
9	4,155	5,892	9,145	11,544	13,920	20,471	35,465	51,349
9.5	4,363	6,187	9,603	12,122	14,617	21,497	37,241	53,920
10	4,571	6,482	10,061	12,700	15,314	22,522	39,017	56,492
10.5	4,779	6,777	10,519	13,279	16,011	23,547	40,793	59,063
11	4,987	7,072	10,977	13,857	16,708	24,572	42,569	61,635
11.5	5,195	7,367	11,435	14,435	17,405	25,598	44,345	64,206
12	5,403	7,662	11,893	15,013	18,102	26,623	46,121	66,778
12.5	5,611	7,958	12,351	15,591	18,800	27,648	47,897	69,349
13	5,819	8,253	12,809	16,169	19,497	28,673	49,673	71,921
13.5	6,027	8,548	13,267	16,747	20,194	29,698	51,449	74,492
14	6,235	8,843	13,725	17,325	20,891	30,724	53,225	77,064
15	6,651	9,433	14,641	18,482	22,285	32,774	56,777	82,207
16	7,068	10,023	15,557	19,638	23,679	34,824	60,330	87,350
17	7,484	10,613	16,473	20,794	25,073	36,875	63,882	92,493
Approx 0.1 barg Increments	41.6	59.0	91.6	115.6	139.4	205.0	355.2	514.3

SAFETY RELIEF VALVES



## 119 SERIES CAST IRON FLANGED SAFETY

### ASME SECTION VIII - STEAM

• Pounds per hour (kilograms per hour) saturated steam at 10% overpressure. National Board Certified. Ratings are 90% of actual.

### US CUSTOMARY UNITS LB./HR.

ORIFICE LETTER AREA IN. <sup>2</sup>	J 1.358	K 1.926	L 2.99	M 3.774	N 4.55	P 6.692	Q 11.593	R 16.786
<b>SET PRESSURE PSIG</b>								
5*	1,312	1,860	2,888	3,645	4,395	6,464	11,198	16,213
10*	1,798	2,550	3,957	4,995	6,023	8,859	15,346	22,220
15	2,008	2,848	4,421	5,580	6,728	9,895	17,141	24,820
20	2,315	3,283	5,097	6,433	7,756	11,408	19,762	28,615
25	2,622	3,719	5,773	7,287	8,785	12,921	22,383	32,410
30	2,929	4,154	6,449	8,140	9,814	14,434	25,004	36,205
35	3,267	4,633	7,193	9,079	10,945	16,098	27,887	40,379
40	3,604	5,112	7,936	10,017	12,077	17,762	30,771	44,554
45	3,942	5,591	8,680	10,956	13,208	19,426	33,654	48,729
50	4,280	6,070	9,423	11,894	14,340	21,091	36,537	52,903
55	4,618	6,549	10,167	12,833	15,471	22,755	39,420	57,078
60	4,955	7,028	10,911	13,771	16,603	24,419	42,303	61,252
65	5,293	7,507	11,654	14,710	17,735	26,083	45,186	65,427
70	5,631	7,986	12,398	15,649	18,866	27,748	48,069	69,601
75	5,969	8,465	13,141	16,587	19,998	29,412	50,952	73,776
80	6,306	8,944	13,885	17,526	21,129	31,076	53,835	77,951
85	6,644	9,423	14,629	18,464	22,261	32,740	56,719	82,125
90	6,982	9,902	15,372	19,403	23,392	34,405	59,602	86,300
95	7,319	10,381	16,116	20,341	24,524	36,069	62,485	90,474
100	7,657	10,860	16,859	21,280	25,655	37,733	65,368	94,649
105	7,995	11,339	17,603	22,218	26,787	39,397	68,251	98,823
110	8,333	11,818	18,346	23,157	27,919	41,062	71,134	102,998
115	8,670	12,297	19,090	24,096	29,050	42,726	74,017	107,173
120	9,008	12,776	19,834	25,034	30,182	44,390	76,900	111,347
125	9,346	13,255	20,577	25,973	31,313	46,055	79,783	115,522
130	9,684	13,734	21,321	26,911	32,445	47,719	82,666	119,696
135	10,021	14,213	22,064	27,850	33,576	49,383	85,550	123,871
140	10,359	14,692	22,808	28,788	34,708	51,047	88,433	128,045
145	10,697	15,171	23,552	29,727	35,839	52,712	91,316	132,220
150	11,034	15,650	24,295	30,666	36,971	54,376	94,199	136,395
155	11,372	16,129	25,039	31,604	38,103	56,040	97,082	140,569
160	11,710	16,608	25,782	32,543	39,234	57,704	99,965	144,744
165	12,048	17,087	26,526	33,481	40,366	59,369	102,848	148,918
170	12,385	17,566	27,270	34,420	41,497	61,033	105,731	153,093
175	12,723	18,045	28,013	35,358	42,629	62,697	108,614	157,267
180	13,061	18,524	28,757	36,297	43,760	64,361	111,497	161,442
185	13,399	19,003	29,500	37,236	44,892	66,026	114,381	165,617
190	13,736	19,482	30,244	38,174	46,023	67,690	117,264	169,791
195	14,074	19,961	30,988	39,113	47,155	69,354	120,147	173,966
200	14,412	20,440	31,731	40,051	48,287	71,018	123,030	178,140
205	14,749	20,919	32,475	40,990	49,418	72,683	125,913	182,315
210	15,087	21,398	33,218	41,928	50,550	74,347	128,796	186,489
215	15,425	21,876	33,962	42,867	51,681	76,011	131,679	190,664
220	15,763	22,355	34,706	43,806	52,813	77,675	134,562	194,839
225	16,100	22,834	35,449	44,744	53,944	79,340	137,445	199,013
230	16,438	23,313	36,193	45,683	55,076	81,004	140,329	203,188
235	16,776	23,792	36,936	46,621	56,207	82,668	143,212	207,362
240	17,113	24,271	37,680	47,560	57,339	84,332	146,095	211,537
245	17,451	24,750	38,424	48,498	58,471	85,997	148,978	215,711
250	17,789	25,229	39,167	49,437	59,602	87,661	151,861	219,886
Approx. 1 psi Increment	68	96	149	188	226	333	577	835

\*Settings below 15 psi (11 barg) are non-ASME code.

### METRIC UNITS KG/HR.

ORIFICE LETTER AREA CM. <sup>2</sup>	J 8.762	K 12.426	L 19.287	M 24.347	N 29.357	P 43.174	Q 74.795	R 108.294
<b>SET PRESSURE BARG</b>								
.34*	590	836	1,298	1,639	1,976	2,906	5,034	7,289
.69*	822	1,165	1,809	2,283	2,753	4,049	7,014	10,155
1.1	937	1,329	2,064	2,605	3,141	4,619	8,002	11,586
1.5	1,099	1,559	2,419	3,054	3,682	5,415	9,382	13,584
2	1,301	1,845	2,864	3,615	4,359	6,411	11,106	16,080
2.5	1,520	2,156	3,347	4,225	5,094	7,492	12,979	18,792
3	1,743	2,471	3,836	4,842	5,839	8,587	14,876	21,539
3.5	1,965	2,787	4,325	5,460	6,583	9,682	16,773	24,285
4	2,187	3,102	4,814	6,077	7,328	10,777	18,670	27,031
4.5	2,409	3,417	5,303	6,695	8,072	11,872	20,566	29,778
5	2,632	3,732	5,793	7,312	8,817	12,967	22,463	32,524
5.5	2,854	4,047	6,282	7,929	9,561	14,061	24,360	35,270
6	3,076	4,362	6,771	8,547	10,306	15,156	26,257	38,017
6.5	3,298	4,677	7,260	9,164	11,050	16,251	28,153	40,763
7	3,520	4,992	7,749	9,782	11,795	17,346	30,050	43,509
7.5	3,743	5,308	8,238	10,399	12,539	18,441	31,947	46,255
8	3,965	5,623	8,727	11,017	13,284	19,536	33,844	49,002
8.5	4,187	5,938	9,216	11,634	14,028	20,631	35,741	51,748
9	4,409	6,253	9,706	12,251	14,773	21,726	37,637	54,494
9.5	4,631	6,568	10,195	12,869	15,517	22,820	39,534	57,241
10	4,854	6,883	10,684	13,486	16,262	23,915	41,431	59,987
10.5	5,076	7,198	11,173	14,104	17,006	25,010	43,328	62,733
11	5,298	7,513	11,662	14,721	17,750	26,105	45,224	65,480
11.5	5,520	7,829	12,151	15,338	18,495	27,200	47,121	68,226
12	5,742	8,144	12,640	15,956	19,239	28,295	49,018	70,972
12.5	5,965	8,459	13,129	16,573	19,984	29,390	50,915	73,718
13	6,187	8,774	13,618	17,191	20,728	30,485	52,811	76,465
13.5	6,409	9,089	14,108	17,808	21,473	31,580	54,708	79,211
14	6,631	9,404	14,597	18,426	22,217	32,674	56,605	81,957
15	7,076	10,034	15,575	19,660	23,706	34,864	60,399	87,450
16	7,520	10,665	16,653	20,895	25,195	37,054	64,192	92,943
17	7,964	11,295	17,731	22,130	26,684	39,244	67,986	98,435
Approx. 0.1 barg Increment	44.4	63.0	97.8	123.5	148.9	219.0	379.4	549.3

SAFETY RELIEF VALVES

## 119 SERIES CAST IRON FLANGED SAFETY

### ASME SECTION VIII - AIR

• Standard cubic feet per minute (normalized cubic meters per hour) of air at 10% overpressure. National Board Certified. Ratings are 90% of actual.

### US CUSTOMARY UNITS SCFM

ORIFICE LETTER AREA IN. <sup>2</sup>	J 1.358	K 1.926	L 2.99	M 3.774	N 4.55	P 6.692	Q 11.593	R 16.786
<b>SET PRESSURE PSIG</b>								
5*	418	592	919	1,160	1,399	2,058	3,565	5,161
10*	583	826	1,282	1,619	1,952	2,870	4,973	7,200
15	715	1,014	1,574	1,986	2,395	3,522	6,101	8,834
20	824	1,169	1,814	2,290	2,761	4,060	7,034	10,185
25	933	1,324	2,055	2,594	3,127	4,599	7,967	11,536
30	1,043	1,479	2,295	2,897	3,493	5,138	8,900	12,887
35	1,163	1,649	2,560	3,231	3,896	5,730	9,926	14,373
40	1,283	1,820	2,825	3,566	4,299	6,322	10,953	15,859
45	1,403	1,990	3,089	3,900	4,701	6,915	11,979	17,345
50	1,523	2,161	3,354	4,234	5,104	7,507	13,005	18,830
55	1,644	2,331	3,619	4,568	5,507	8,099	14,031	20,316
60	1,764	2,502	3,884	4,902	5,910	8,692	15,057	21,802
65	1,884	2,672	4,148	5,236	6,312	9,284	16,084	23,288
70	2,004	2,843	4,413	5,570	6,715	9,877	17,110	24,774
75	2,124	3,013	4,678	5,904	7,118	10,469	18,136	26,260
80	2,245	3,184	4,942	6,238	7,521	11,061	19,162	27,746
85	2,365	3,354	5,207	6,572	7,924	11,654	20,188	29,232
90	2,485	3,524	5,472	6,906	8,326	12,246	21,215	30,718
95	2,605	3,695	5,736	7,240	8,729	12,838	22,241	32,204
100	2,726	3,865	6,001	7,574	9,132	13,431	23,267	33,689
105	2,846	4,036	6,266	7,908	9,535	14,023	24,293	35,175
110	2,966	4,206	6,530	8,243	9,937	14,616	25,320	36,661
115	3,086	4,377	6,795	8,577	10,340	15,208	26,346	38,147
120	3,206	4,547	7,060	8,911	10,743	15,800	27,372	39,633
125	3,327	4,718	7,324	9,245	11,146	16,393	28,398	41,119
130	3,447	4,888	7,589	9,579	11,548	16,985	29,424	42,605
135	3,567	5,059	7,854	9,913	11,951	17,577	30,451	44,091
140	3,687	5,229	8,118	10,247	12,354	18,170	31,477	45,577
145	3,807	5,400	8,383	10,581	12,757	18,762	32,503	47,063
150	3,928	5,570	8,648	10,915	13,160	19,355	33,529	48,549
155	4,048	5,741	8,912	11,249	13,562	19,947	34,556	50,034
160	4,168	5,911	9,177	11,583	13,965	20,539	35,582	51,520
165	4,288	6,082	9,442	11,917	14,368	21,132	36,608	53,006
170	4,408	6,252	9,706	12,251	14,771	21,724	37,634	54,492
175	4,529	6,423	9,971	12,586	15,173	22,317	38,660	55,978
180	4,649	6,593	10,236	12,920	15,576	22,909	39,687	57,464
185	4,769	6,764	10,500	13,254	15,979	23,501	40,713	58,950
190	4,889	6,934	10,765	13,588	16,382	24,094	41,739	60,436
195	5,010	7,105	11,030	13,922	16,784	24,686	42,765	61,922
200	5,130	7,275	11,294	14,256	17,187	25,278	43,791	63,408
205	5,250	7,446	11,559	14,590	17,590	25,871	44,818	64,893
210	5,370	7,616	11,824	14,924	17,993	26,463	45,844	66,379
215	5,490	7,787	12,088	15,258	18,396	27,056	46,870	67,865
220	5,611	7,957	12,353	15,592	18,798	27,648	47,896	69,351
225	5,731	8,128	12,618	15,926	19,201	28,240	48,923	70,837
230	5,851	8,298	12,883	16,260	19,604	28,833	49,949	72,323
235	5,971	8,469	13,147	16,594	20,007	29,425	50,975	73,809
240	6,091	8,639	13,412	16,929	20,409	30,017	52,001	75,295
245	6,212	8,810	13,677	17,263	20,812	30,610	53,027	76,781
250	6,332	8,980	13,941	17,597	21,215	31,202	54,054	78,267
Approx. 1 psi Increment	24	34	53	67	81	118	205	297

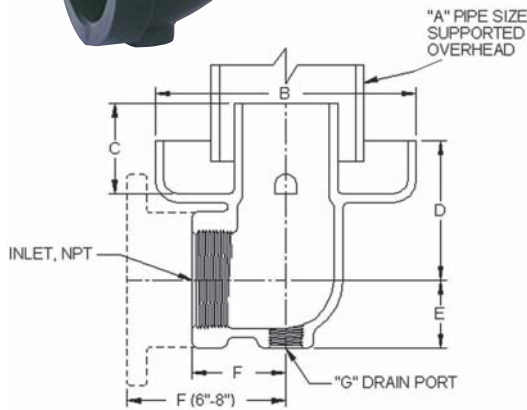
\*Settings below 15 psi (1.1 barg) are non-ASME code.

### METRIC UNITS Nm<sup>3</sup>/HR.

ORIFICE LETTER AREA CM. <sup>2</sup>	J 8.762	K 12.426	L 19.287	M 24.347	N 29.357	P 43.174	Q 74.795	R 108.294
<b>SET PRESSURE BARG</b>								
0.4*	722	1,024	1,589	2,006	2,418	3,557	6,161	8,921
0.8*	1,005	1,425	2,212	2,793	3,367	4,952	8,579	12,422
1.1	1,182	1,677	2,603	3,286	3,961	5,826	10,093	14,615
1.5	1,386	1,996	3,052	3,852	4,644	6,831	11,833	17,134
2	1,641	2,327	3,613	4,560	5,498	8,086	14,008	20,283
2.5	1,918	2,720	4,222	5,329	6,425	9,449	16,370	23,703
3	2,198	3,117	4,839	6,108	7,364	10,830	18,762	27,166
3.5	2,478	3,514	5,456	6,887	8,303	12,211	21,154	30,630
4	2,758	3,912	6,073	7,665	9,241	13,592	23,546	34,094
4.5	3,038	4,309	6,690	8,444	10,180	14,973	25,938	37,557
5	3,319	4,707	7,307	9,223	11,119	16,354	28,331	41,021
5.5	3,599	5,104	7,924	10,002	12,058	17,735	30,723	44,485
6	3,879	5,502	8,541	10,780	12,997	19,115	33,115	47,948
6.5	4,159	5,899	9,158	11,559	13,936	20,496	35,507	51,412
7	4,439	6,296	9,775	12,338	14,875	21,877	37,899	54,876
7.5	4,720	6,694	10,392	13,116	15,813	23,258	40,291	58,339
8	5,000	7,091	11,009	13,895	16,752	24,639	42,683	61,803
8.5	5,280	7,489	11,626	14,674	17,691	26,020	45,076	65,267
9	5,560	7,886	12,243	15,453	18,630	27,400	47,468	68,730
9.5	5,841	8,283	12,860	16,231	19,569	28,781	49,860	72,194
10	6,121	8,681	13,477	17,010	20,508	30,162	52,252	75,658
10.5	6,401	9,078	14,093	17,789	21,447	31,543	54,644	79,121
11	6,681	9,476	14,710	18,568	22,385	32,924	57,036	82,585
11.5	6,961	9,873	15,327	19,346	23,324	34,305	59,428	86,049
12	7,242	10,271	15,944	20,125	24,263	35,686	61,820	89,512
12.5	7,522	10,668	16,561	20,904	25,202	37,066	64,213	91,976
13	7,802	11,065	17,178	21,683	26,141	38,447	66,605	96,440
13.5	8,082	11,463	17,795	22,461	27,080	39,828	68,997	99,903
14	8,362	11,860	18,412	23,240	28,019	41,209	71,389	103,367
15	8,923	12,655	19,646	24,798	29,896	43,971	76,173	110,294
16	9,483	13,450	20,880	26,355	31,774	46,732	80,958	117,222
17	10,444	14,245	22,114	27,912	33,652	49,494	85,742	124,149
Approx. 0.1 barg Increment	56.0	79.5	123.4	155.8	187.8	276.2	478.4	692.7

SAFETY RELIEF VALVES

**DRIP PAN ELBOWS (DPE)**



The use of an Apollo International™ drip pan elbow is highly recommended for steam safety valve installations. The drip pan elbow connects to the valve outlet to safely direct steam discharge away from the valve and into the discharge piping. Condensate is directed to drain. Drip pans offer ideal flow characteristics, and serve to isolate the valve from piping stresses that can adversely effect safety valve performance and longevity.

- Sizes 3/4" thru 8", Flanged and Threaded Models
- Material: Gray iron ASTM A126 Class B
- Finish: Black Phosphate or Black Paint Coating

**FEATURES**

- Ideal Flow Characteristics
- Directs Condensate to Drain
- Isolates Safety Valve from Piping Stresses Caused by:
  - Weight of Discharge Piping
  - Thermal Expansion
  - Reaction Forces During Valve Discharge

**INSTALLATION**

- Sizes 3/4" thru 4" feature FNPT Connections and Connect Directly to the Valve Outlet by Means of a Short Pipe Nipple or with an Appropriate Companion Flange and Nipple for Flanged Outlet Connections
- Sizes 6" and 8" Have Integral Cast ANSI 125# Flanges that Bolt Directly to the Valve Outlet

**SELECTION**

- Select the Drip Pan to Match the Nominal Outlet Size of the Safety Valve

**DIMENSIONS**

PART NUMBER	SIZE (IN.) NPS/DN	INLET CONNECTION	DIMENSIONS (IN./MM)							WT./EA. (LB./KG)
			A NPS/DN	B	C	D	E	F	G NPS/DN	
DPE 07	3/4	FNPT	1-1/2	3.75	1.63	2.25	1	1.5	1/4	2
	20	FNPT	40	95	41	57	25	40	8	.9
DPE 10	1	FNPT	1-1/2	3.75	1.63	2.25	1	1.5	1/4	2
	25	FNPT	40	95	41	57	25	40	8	.9
DPE 12	1-1/4	FNPT	2	5.5	2.13	3.38	1.5	2.13	3/8	5
	32	FNPT	50	127	54	86	40	54	10	2.1
DPE 15	1-1/2	FNPT	2	5.5	2.13	3.38	1.5	2.13	3/8	5
	40	FNPT	50	127	54	86	40	54	10	2.1
DPE 20	2	FNPT	3	6.25	2.25	3.63	1.63	2.25	1/2	7
	50	FNPT	80	159	57	92	41	57	15	3.2
DPE 25	2-1/2	FNPT	4	7.38	3	4.38	1.88	2.75	3/4	11
	65	FNPT	100	187	80	111	48	70	20	5.0
DPE 30	3	FNPT	4	8	3.5	4.88	2.13	3.13	3/4	17
	80	FNPT	100	200	89	124	54	80	20	7.7
DPE 40	4	125# FLANGE	6	9.63	4.5	5.75	2.63	3.75	3/4	30
	100	125# FLANGE	150	245	114	146	67	95	20	13.6
DPE 60	6	125# FLANGE	8	12.75	6.63	7.63	3	8	3/4	84
	150	125# FLANGE	200	324	168	194	80	200	20	38.1
DPE 80	8	125# FLANGE	10	16.5	7.5	8.63	4.13	10.75	1	151
	200	125# FLANGE	250	419	191	219	105	273	25	68.5

**500 SERIES**  
MULTI-PURPOSE SAFETY RELIEF



Versatile Safety Relief valve available in bronze, carbon steel or all stainless steel construction, suitable for a wide range of steam, air, gas and liquid applications. High capacity full nozzle design is available with metal to metal, PCTFE or elastomer O-ring seating. Short tuned blowdown and backpressure tight body minimizes fugitive emissions and product losses in the event of valve operation.

**ASME SECTION VIII**

- Sizes 1/2" thru 2" NPT
- Factory Set Pressure Range: 5-1200 psig @ 800°F max.
- (See Pressure/temperature Limit Chart Below for Specific Ratings for Each Model)

**APPLICATIONS**

- Pressure Vessels and Pressure Piping Systems
- Pumps, Tanks and Hydraulic Systems
- Thermal Relief of Liquid Filled Vessels
- Chemical, Process and Other Industrial Plants
- Power Plant Auxiliary Systems
- Cryogenic and Industrial Gases
- Air and Gas Compressors and Dryers
- Vacuum Relief

**FEATURES**

- Wide Range of Materials and Options
- One Trim Design is Suitable for Steam, Air / Gas and Liquid Service
- High Capacity Full Nozzle Design
- Stainless Steel Springs
- Integral Lift Stop
- Self-Aligning Pivoting Disc
- API 527 Seat Tightness, Standard for all Models
- Tuned Blowdown - Short and Adjustable, Reduces Product Losses
- Backpressure Tight Design Minimizes Fugitive Emissions
- CSA B51 CRN OG8547.5C
- **Proudly Made in USA**

**OPTIONS**

- Screwed Cap Standard), Packed Lift Lever
- Test Gags
- Elastomer or PCTFE Soft Seat for Exceptional Seat Tightness
- High Temperature Alloy Springs for 550°F - 800°F Service
- Special Cleaning Available
- European Pressure Equipment Directive Compliant Option (CE/PED)

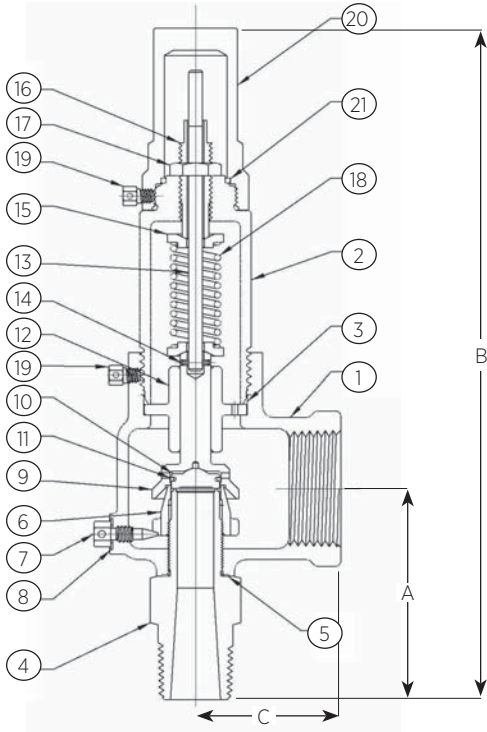
**PART NUMBER MATRIX**

52	3	J	H	B	K	M	AA	0425	Q
SERIES BODY/TRIM MATERIAL	CAP	ORIFICE LETTER	INLET SIZE	CONNECTION	SERVICE	SEAT	SPECIAL OPTIONS	SET PRESSURE	SUFFIX
51 - BRONZE/BRASS	1 - SCREWED CAP	D	C - 1/2	B - MNPT X NPT	J - SEC VIII LIQUID	M - METAL	FACTORY ISSUED LETTERS/NUMBERS FOR SPECIAL OPTIONS OR FEATURES	SET PRESSURE, PSIG (4 DIGITS)	Q - PERFORMANCE (CALIBRATION) TEST REPORTS
52 - BRONZE/SS	2 - SCREWED + GAG	E	D - 3/4	D - 3/4 OUTLET (MODEL 510 & 520 D ORIFICE ONLY)	K - SEC VIII AIR/GAS	B - BUNA-N		VACUUM "HG" PREFIX + 2 DIGITS	
53 - CARBON/SS	3 - PACKED LEVER	F	E - 1		L - SEC VIII STEAM	E - EPR			
54 - ALL STAINLESS	4 - PACKED + GAG	G	F - 1-1/4		M - NON CODE LIQUID	K - PCTFE			
		H	G - 1-1/2		N - NON CODE AIR	N - NEOPRENE	"AA" - DEFAULT SETTING		
		J	H - 2		P - NON CODE STEAM	Z - KALREZ®	"CE" - CE/PED		
					Q - VACUUM	S - SILICONE	"HT" - HIGH TEMP SPRING		
						V - VITON	"OX" - CLEANED FOR OXYGEN		

Notes:  
 1. The ASME Code Section VIII requires a lift lever for the following services: air, steam, or hot water over 140°F  
 2. Maximum back pressure is 50 psig.  
 3. High temperature stainless steel alloy spring is required above 550°F / 288°C. Specify option "HT" (Minimum pressure setting with HT option = 276 psig)  
 4. Contact factory for pricing and availability.

SAFETY RELIEF VALVES

**500 SERIES**  
MULTI-PURPOSE SAFETY RELIEF

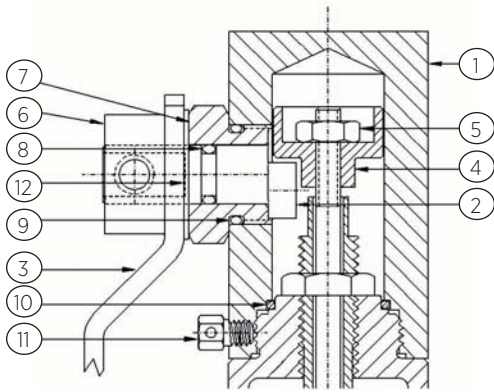


**SCREWED CAP**

**STANDARD MATERIAL LIST**

		<b>510 SERIES</b>	<b>520 SERIES</b>	<b>530 SERIES</b>	<b>540 SERIES</b>
<b>1</b>	Body	Bronze, B-584-C844	Bronze, B-584-C844	Steel, SA-216 WCB	SS, SA-351-CF8M
<b>2</b>	Bonnet	Brass*	Brass*	Steel**	SS Type 316***
<b>3</b>	Bonnet Seal	PTFE	PTFE	PTFE	PTFE
<b>4</b>	Nozzle	Brass B-16	SS Type 316	SS Type 316	SS Type 316
<b>5</b>	Nozzle Seal	PTFE	PTFE	PTFE	PTFE
<b>6</b>	Nozzle Ring	SS Type 316	SS Type 316	SS Type 316	SS Type 316
<b>7</b>	Set Screw	Brass	Brass	SS Type 316	SS Type 316
<b>8</b>	Set Screw Seal	PTFE	PTFE	PTFE	PTFE
<b>9</b>	Disc Holder	Brass	SS Type 316	SS Type 316	SS Type 316
<b>10</b>	Disc	SS Type 316	SS Type 316	SS Type 316	SS Type 316
<b>11</b>	Retaining Ring	Stainless Steel	Stainless Steel	Stainless Steel	Stainless Steel
<b>12</b>	Disc Guide	Brass	Brass	SS Type 316	SS Type 316
<b>13</b>	Stem	Stainless Steel	Stainless Steel	SS Type 316	SS Type 316
<b>14</b>	Spring Pin	Stainless Steel	Stainless Steel	Stainless Steel	Stainless Steel
<b>15</b>	Spring Washer	Brass	Brass	SS Type 316	SS Type 316
<b>16</b>	Adjusting Bolt	Brass	Brass	SS Type 316	SS Type 316
<b>17</b>	Lock Nut	Brass	Brass	SS Type 316	SS Type 316
<b>18</b>	Spring	Stainless Steel	Stainless Steel	Stainless Steel	Stainless Steel
	Spring, High Temp.	Inconel	Inconel	Inconel	Inconel
<b>19</b>	Lock Screw	Stainless Steel	Stainless Steel	Stainless Steel	Stainless Steel
<b>20</b>	Cap, Screwed	Brass	Brass	Steel	SS Type 316
<b>21</b>	Seal, Cap	Viton	Viton	Viton	Viton
-	Nameplate	Stainless Steel	Stainless Steel	Stainless Steel	Stainless Steel
-	Drive Screw	Stainless Steel	Stainless Steel	Stainless Steel	Stainless Steel
-	Seal & Wire	Lead/SS	Lead/SS	Lead/SS	Lead/SS
-	Seal & Wire (Ce)			Aluminum/SS	Aluminum/SS

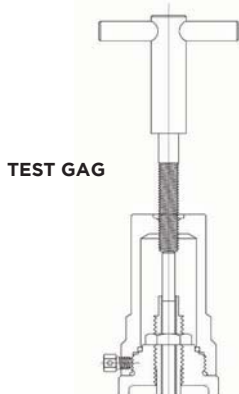
Notes:  
 \* Sizes G, H and J are Cast Bronze  
 \*\* Sizes H and J are Cast Steel  
 \*\*\* Sizes H and J are Cast Stainless Steel Type 316



**PACKED LEVER**

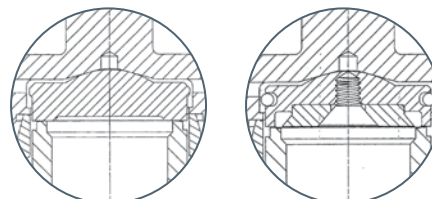
**LIFT LEVER OPTION**

		<b>513/523 SERIES</b>	<b>533 SERIES</b>	<b>543 SERIES</b>
<b>1</b>	Cap, Packed Lever	Brass	Steel	SS Type 316
<b>2</b>	Cam Bushing	Stainless Steel	Stainless Steel	Stainless Steel
<b>3</b>	Lever	Stainless Steel	Stainless Steel	Stainless Steel
<b>4</b>	Lift Washer	Stainless Steel	Stainless Steel	Stainless Steel
<b>5</b>	Locknut	Stainless Steel	Stainless Steel	Stainless Steel
<b>6</b>	Collar	Stainless Steel	Stainless Steel	Stainless Steel
<b>7</b>	Cam Bushing	Brass	Stainless Steel	Stainless Steel
<b>8</b>	Cam O-Ring	Viton	Viton	Viton
<b>9</b>	Bushing O-Ring	Viton	Viton	Viton
<b>10</b>	Seal, Cap	Viton	Viton	Viton
<b>11</b>	Set Screw	Stainless Steel	Stainless Steel	Stainless Steel
<b>12</b>	Washer	PTFE	PTFE	PTFE



**TEST GAG**

**SEATS**



**PCTFE**

**O-RING**

## 500 SERIES

### MULTI-PURPOSE SAFETY RELIEF

#### SOFT SEAT PRESSURE & TEMPERATURE LIMITS\* - 500 SERIES

SEAT MATERIAL	SET PRESSURE		TEMPERATURE		SERVICE RECOMMENDATIONS**
	MIN.	MAX.	MIN.	MAX.	
Viton	15	900	-15°F	400°F	Air, Benzene, Butane, Carbon Dioxide, Carbon Disulphide, Carbon Tetrachloride, Dowtherm A, Ethyl Alcohol, Ethyl Chloride, Ethylene, Ethylene Glycol, Fuel Oil, Gasoline, Hydraulic Fluid, JP-4 and -5 Fuel, Kerosene, Lube Oil, Natural Gas, Naphtha, Nitrogen, Propane, Propyl Alcohol, Propylene, Propylene Glycol, Sulphur Dioxide, Toluene, Trichlorethylene, Turpentine, Vinyl Chloride, Water
EPDM	15	900	-70°F	250°F	Steam, Water, Hot Water, Acetone, Beer, Brake Fluid, Hydrogen Gas, Hydrogen Sulphide, Phosphate Ester Hydraulic Fluid, Sulphur Dioxide, Acids, Alkalis
Silicone	15	900	-60°F	450°F	Air, Helium, Nitrogen, Oxygen (gaseous)
Neoprene	15	900	-35°F	225°F	Air, Anhydrous Ammonia, Butane, Butyl Alcohol, Castor Oil, Denatured Alcohol, Ethanol, Ethyl Alcohol, Freon 12, 13, 14 & 22, Glycols, Natural Gas, Oxygen (gaseous), Silicate Esters
Nitrile / Buna-N	15	900	-30°F	250°F	Air, Anhydrous Ammonia, Butane, Carbon Dioxide, Diesel Oil, Freon 11 & 12, Fuel Oil, Gasoline, Helium, Hydraulic Fluid (petroleum based), Hydrogen Sulphide, Hydrogen Gas, Kerosene, Lube Oil, Natural Gas, Nitrogen, Oxygen (gaseous), Propane, Propylene, Sulphur Dioxide, Vinyl Chloride
PCTFE	15	500	-320°F	250°F	Cryogenic Service including Argon, Carbon Dioxide, Helium, Hydrogen, Nitrogen, Oxygen

Notes:

\* Subject to valve body material pressure / temperature limitations. See chart below.

\*\* Service recommendations are provided for guidance only. Material suitability and selection should be determined by the end user based on their prior experience with the service and materials involved.

#### PRESSURE AND TEMPERATURE RATINGS

SERIES BODY TRIM	510 BRONZE BRASS	520 BRONZE STAINLESS	530 CARBON STEEL STAINLESS	540 STAINLESS STEEL STAINLESS
Max. Set-Steam	250 PSI	300 PSI	900 PSI (D/E) 600 PSI (F/G) 500 PSI (H/J)	900 PSI (D/E) 600 PSI (F/G) 500 PSI (H/J)
Max. Set-Air/ Gas/Liquid	300 PSI	1200 PSI (D) <sup>1</sup> 900 PSI (E) 600 PSI (F/G) 500 PSI (H/J)	1200 PSI (D) <sup>1</sup> 900 PSI (E) 600 PSI (F/G) 500 PSI (H/J)	1200 PSI (D) <sup>1</sup> 900 PSI (E) 600 PSI (F/G) 500 PSI (H/J)
Temp. Limits*	-320/406°F	-320/422°F	-20/800°F	-320/800°F

<sup>1</sup>Max set pressure for liquids is 1000 psi.

Notes:

Limits based upon materials of construction and use of metal to metal seating. Refer to 500 series soft seat chart for limitations based upon elastomer.

Specify "HT" high temperature Inconel springs for service temperature beyond 550 °F. (Minimum pressure setting with HT option = 276 psi)

Models 510, 520 and 540 are suitable for cryogenic service to -320 °F, with choice of either "M" metal or "K" PCTFE seat options.

#### AVAILABLE CONFIGURATIONS

PART NUMBER	ORIFICE LETTER	SIZE INLET X OUTLET	DIMENSIONS (IN./MM)			WEIGHT (LB./KG)
			A	B	C	
5xxDC	D	1/2 X 1	2.38	7.5	1.63	2
			60	191	41	0.9
5xxDCD*	D	1/2 X 3/4	2.38	7.5	1.63	2
			60	191	41	0.9
5xxDD	D	3/4 X 1	2.38	7.5	1.63	2
			60	191	41	0.9
5xxDDD*	D	3/4 X 3/4	2.38	7.5	1.63	2
			60	191	41	0.9
5xxED	E	3/4 X 1-1/4	2.63	9	2	3
			67	229	51	1.4
5xxEE	E	1 X 1-1/4	2.63	9	2	3
			67	229	51	1.4
5xxFE	F	1 X 1-1/2	2.83	10.25	2.38	5
			73	260	60	2.3
5xxFF	F	1-1/4 X 1-1/2	2.83	10.25	2.38	5
			73	260	60	2.3
5xxGF	G	1-1/4 X 2	3.25	13.25	2.63	9
			83	337	67	4.1
5xxGG	G	1-1/2 X 2	3.25	13.25	2.68	9.5
			83	337	67	4.31
5xxHG	H	1-1/2 X 2-1/2	3.5	15	2.75	15.5
			89	381	70	7.0
5xxHH	H	2 X 2-1/2	3.5	15	2.75	16
			89	381	70	7.3
5xxJH	J	2 X 3	4	17	3.25	24
			102	432	83	10.9

\* 3/4" outlet option available with 510 and 520 bronze bodied models only.

SAFETY RELIEF VALVES



## 500 SERIES

### MULTI-PURPOSE SAFETY RELIEF

#### ASME SECTION VIII - STEAM

- Pounds per hour (kilograms per hour) saturated steam at 10% overpressure. National Board Certified. Ratings are 90% of actual.

#### US CUSTOMARY UNITS LB/HR.

ORIFICE LETTER AREA (IN. <sup>2</sup> )	D 0.1295	E 0.2282	F 0.3589	G 0.5890	H 0.9195	J 1.5044
<b>SET PRESSURE PSIG</b>						
5*	122	216	339	557	869	1,422
10*	168	295	465	762	1,190	1,947
15	188	331	520	853	1,332	2,180
20	216	381	600	984	1,536	2,513
25	245	432	679	1,114	1,740	2,846
30	274	482	759	1,245	1,943	3,180
35	305	538	846	1,388	2,168	3,546
40	337	593	934	1,532	2,392	3,913
45	368	649	1,021	1,676	2,616	4,280
50	400	705	1,108	1,819	2,840	4,646
55	431	760	1,196	1,963	3,064	5,013
60	463	816	1,283	2,106	3,288	5,380
65	494	872	1,371	2,250	3,512	5,746
70	526	927	1,458	2,393	3,736	6,113
75	558	983	1,546	2,537	3,960	6,479
80	589	1,038	1,633	2,680	4,184	6,846
85	621	1,094	1,721	2,824	4,408	7,213
90	652	1,150	1,808	2,968	4,632	7,579
95	684	1,205	1,896	3,111	4,857	7,946
100	715	1,261	1,983	3,255	5,081	8,313
125	873	1,539	2,421	3,972	6,201	10,146
150	1,031	1,817	2,858	4,690	7,322	11,979
175	1,189	2,095	3,295	5,408	8,442	13,812
200	1,346	2,373	3,733	6,126	9,562	15,645
225	1,504	2,651	4,170	6,843	10,683	17,478
250	1,662	2,929	4,607	7,561	11,803	19,312
275	1,820	3,207	5,045	8,279	12,924	21,145
300	1,977	3,485	5,482	8,997	14,044	22,978
325	2,135	3,763	5,919	9,714	15,165	24,811
350	2,293	4,041	6,357	10,432	16,285	26,644
375	2,451	4,319	6,794	11,150	17,405	28,477
400	2,608	4,597	7,231	11,867	18,526	30,311
425	2,766	4,875	7,669	12,585	19,646	32,144
450	2,924	5,153	8,106	13,303	20,767	33,977
475	3,082	5,431	8,543	14,021	21,887	35,810
500	3,239	5,709	8,981	14,738	23,008	37,643
525	3,397	5,987	9,418	15,456	-	-
550	3,555	6,266	9,855	16,174	-	-
575	3,713	6,544	10,293	16,892	-	-
600	3,870	6,822	10,730	17,609	-	-
625	4,028	7,100	-	-	-	-
650	4,186	7,378	-	-	-	-
675	4,344	7,656	-	-	-	-
700	4,501	7,934	-	-	-	-
725	4,659	8,212	-	-	-	-
750	4,817	8,490	-	-	-	-
775	4,975	8,768	-	-	-	-
800	5,132	9,046	-	-	-	-
825	5,290	9,324	-	-	-	-
850	5,448	9,602	-	-	-	-
875	5,606	9,880	-	-	-	-
900	5,763	10,158	-	-	-	-
Approx. 1 psi Increment	6.3	11.1	17.5	28.7	44.8	73.3

#### METRIC UNITS KG/HR.

ORIFICE LETTER AREA (CM. <sup>2</sup> )	D 0.8352	E 1.4721	F 2.3155	G 3.8001	H 5.9321	J 9.7058
<b>SET PRESSURE BARG</b>						
0.4*	60	105	165	271	423	692
0.8*	82	145	228	374	583	955
1.1	88	154	243	398	622	1,018
2	122	214	337	553	863	1,412
3	163	287	451	741	1,156	1,892
4	204	360	566	930	1,451	2,374
5	246	433	681	1,118	1,746	2,857
6	287	506	797	1,307	2,041	3,339
7	329	580	912	1,496	2,336	3,821
8	370	653	1,027	1,685	2,630	4,304
9	412	726	1,142	1,874	2,925	4,786
10	453	799	1,257	2,063	3,220	5,269
12	536	945	1,487	2,441	3,810	6,233
14	619	1,092	1,717	2,818	4,400	7,198
16	702	1,238	1,947	3,196	4,989	8,163
18	786	1,384	2,178	3,574	5,579	9,128
20	869	1,531	2,408	3,952	6,169	10,093
22	952	1,677	2,638	4,329	6,758	11,058
24	1,035	1,823	2,868	4,707	7,348	12,022
26	1,118	1,970	3,098	5,085	7,938	12,987
28	1,201	2,116	3,329	5,463	8,527	13,952
30	1,284	2,262	3,559	5,840	9,117	14,917
32	1,367	2,409	3,789	6,218	9,707	15,882
34	1,450	2,555	4,019	6,596	10,297	16,846
36	1,533	2,701	4,249	6,974	-	-
38	1,616	2,848	4,479	7,351	-	-
40	1,699	2,994	4,710	7,729	-	-
42	1,782	3,140	-	-	-	-
44	1,865	3,287	-	-	-	-
46	1,948	3,433	-	-	-	-
48	2,031	3,579	-	-	-	-
50	2,114	3,726	-	-	-	-
52	2,197	3,872	-	-	-	-
54	2,280	4,019	-	-	-	-
58	2,446	4,311	-	-	-	-
62	2,612	4,604	-	-	-	-
65	2,736	-	-	-	-	-
69	2,902	-	-	-	-	-
72	3,026	-	-	-	-	-
76	3,192	-	-	-	-	-
79	3,316	-	-	-	-	-
82	3,441	-	-	-	-	-
Approx. 0.1 bar Increment	4.15	7.32	11.51	18.89	29.48	48.24

Maximum Set Pressure Limits for Steam Service

510 Series - 250 psig/17.3 barg

520 Series - 300 psig/20.7 barg

530 Series - 900 psig/62.1 barg

540 Series - 900 psig/62.1 barg

Note: For steam service beyond 300 psig or 550 °F specify option "HT" high temperature stainless steel alloy spring.

\*Pressure settings below 15 psig/1.03 barg are non-ASME code.

## 500 SERIES

### MULTI-PURPOSE SAFETY RELIEF

#### ASME SECTION VIII - AIR

Standard cubic feet per minute (normalized cubic meters per hour) of air at 10% overpressure. National Board Certified. Ratings are 90% of actual.

#### US CUSTOMARY UNITS SCFM

ORIFICE LETTER AREA (IN. <sup>2</sup> )	D 0.1295	E 0.2282	F 0.3589	G 0.5890	H 0.9195	J 1.5044
<b>SET PRESSURE PSIG</b>						
5*	39	69	108	178	277	454
10*	54	96	151	248	387	633
15	67	118	185	304	474	776
20	77	136	213	350	547	895
25	87	154	242	397	619	1,013
30	97	172	270	443	692	1,132
35	109	191	301	494	772	1,262
40	120	211	332	545	851	1,393
45	131	231	363	596	931	1,523
50	142	251	395	648	1,011	1,654
55	154	271	426	699	1,091	1,784
60	165	290	457	750	1,170	1,915
65	176	310	488	801	1,250	2,045
70	187	330	519	852	1,330	2,176
75	198	350	550	903	1,410	2,306
80	210	370	581	954	1,489	2,437
85	221	389	612	1,005	1,569	2,567
90	232	409	644	1,056	1,649	2,698
95	243	429	675	1,107	1,729	2,828
100	255	449	706	1,158	1,808	2,959
125	311	548	862	1,414	2,207	3,611
150	367	647	1,017	1,669	2,606	4,264
175	423	746	1,173	1,925	3,005	4,916
200	479	845	1,329	2,180	3,404	5,569
225	535	944	1,484	2,436	3,802	6,221
250	592	1,043	1,640	2,691	4,201	6,874
275	648	1,142	1,796	2,947	4,600	7,526
300	704	1,240	1,951	3,202	4,999	8,179
325	760	1,339	2,107	3,458	5,398	8,831
350	816	1,438	2,263	3,713	5,796	9,484
375	872	1,537	2,418	3,969	6,195	10,136
400	928	1,636	2,574	4,224	6,594	10,789
425	985	1,735	2,730	4,480	6,993	11,441
450	1,041	1,834	2,885	4,735	7,392	12,094
475	1,097	1,933	3,041	4,991	7,791	12,746
500	1,153	2,032	3,197	5,246	8,189	13,399
525	1,209	2,131	3,352	5,501	-	-
550	1,265	2,230	3,508	5,757	-	-
575	1,321	2,329	3,664	6,012	-	-
600	1,378	2,428	3,819	6,268	-	-
625	1,434	2,527	-	-	-	-
650	1,490	2,626	-	-	-	-
675	1,546	2,725	-	-	-	-
700	1,602	2,824	-	-	-	-
725	1,658	2,923	-	-	-	-
750	1,715	3,022	-	-	-	-
775	1,771	3,121	-	-	-	-
800	1,827	3,220	-	-	-	-
825	1,883	3,319	-	-	-	-
850	1,939	3,418	-	-	-	-
875	1,995	3,517	-	-	-	-
900	2,051	3,616	-	-	-	-
950	2,163	-	-	-	-	-
1000	2,276	-	-	-	-	-
1050	2,388	-	-	-	-	-
1100	2,501	-	-	-	-	-
1150	2,613	-	-	-	-	-
1200	2,725	-	-	-	-	-
Approx. 1 psi Increment	2.2	4.0	6.2	10.2	16.0	26.1

#### METRIC UNITS KG/HR.

ORIFICE LETTER AREA (CM <sup>2</sup> )	D 0.8352	E 1.4721	F 2.3155	G 3.8001	H 5.9321	J 9.7058
<b>SET PRESSURE BARG</b>						
0.4*	67	119	187	307	479	784
0.8*	94	165	260	427	667	1,091
1.1	110	195	306	503	784	1,283
2	153	270	425	697	1,089	1,781
3	205	362	569	934	1,458	2,386
4	258	454	714	1,172	1,830	2,994
5	310	546	859	1,411	2,202	3,603
6	362	639	1,005	1,649	2,574	4,211
7	415	731	1,150	1,887	2,946	4,819
8	467	823	1,295	2,125	3,317	5,428
9	519	916	1,440	2,363	3,689	6,036
10	572	1,008	1,585	2,601	4,061	6,644
12	676	1,192	1,875	3,078	4,805	7,861
14	781	1,377	2,166	3,554	5,548	9,078
16	886	1,561	2,456	4,031	6,292	10,295
18	991	1,746	2,746	4,507	7,036	11,511
20	1,095	1,931	3,037	4,983	7,779	12,728
22	1,200	2,115	3,327	5,460	8,523	13,945
24	1,305	2,300	3,617	5,936	9,267	15,162
26	1,409	2,484	3,907	6,413	10,010	16,378
28	1,514	2,669	4,198	6,889	10,754	17,595
30	1,619	2,853	4,488	7,365	11,498	18,812
32	1,724	3,038	4,778	7,842	12,241	20,029
34	1,828	3,222	5,069	8,318	12,985	21,245
36	1,933	3,407	5,359	8,795	-	-
38	2,038	3,591	5,649	9,271	-	-
40	2,142	3,776	5,939	9,747	-	-
42	2,247	3,961	-	-	-	-
44	2,352	4,145	-	-	-	-
46	2,457	4,330	-	-	-	-
48	2,561	4,514	-	-	-	-
50	2,666	4,699	-	-	-	-
52	2,771	4,883	-	-	-	-
54	2,875	5,068	-	-	-	-
58	3,085	5,437	-	-	-	-
62	3,294	5,806	-	-	-	-
65	3,450	-	-	-	-	-
69	3,659	-	-	-	-	-
72	3,815	-	-	-	-	-
76	4,020	-	-	-	-	-
79	4,177	-	-	-	-	-
82	4,381	-	-	-	-	-
Approx. 0.1 bar Increment	5.24	9.23	14.51	23.82	37.18	60.84

Maximum Set Pressure Limits for Air/Gas Service

510 Series - 300 psig/20.7 barg

520 Series - 1200 psig/82.7 barg

530 Series - 1200 psig/82.7 barg

540 Series - 1200 psig/82.7 barg

## 500 SERIES

### MULTI-PURPOSE SAFETY RELIEF

#### ASME SECTION VIII - WATER

- U.S. gallons per minute (cubic meters per hour) of water at 10% over pressure. National Board Certified. Ratings are 90% of actual.

#### US CUSTOMARY UNITS GPM

ORIFICE LETTER AREA (IN. <sup>2</sup> )	D 0.1295	E 0.2282	F 0.3589	G 0.5890	H 0.9195	J 1.5044
<b>SET PRESSURE PSIG</b>						
5*	13	24	37	61	95	156
10*	14	24	38	63	98	161
15	14	25	40	65	102	167
20	16	29	45	74	115	189
25	18	32	50	82	127	208
30	19	34	54	89	138	226
35	21	37	58	96	149	244
40	22	40	62	102	160	261
45	24	42	66	108	169	277
50	25	44	70	114	178	292
55	26	46	73	120	187	306
60	28	48	76	125	195	320
65	29	50	79	130	203	333
70	30	52	82	135	211	345
75	31	54	85	140	218	357
80	32	56	88	145	226	369
85	33	58	91	149	233	381
90	34	59	93	153	239	392
95	35	61	96	158	246	402
100	36	63	98	162	252	413
125	40	70	110	181	282	462
150	44	77	121	198	309	506
175	47	83	130	214	334	546
200	50	89	139	229	357	584
225	53	94	148	242	378	619
250	56	99	156	256	399	653
275	59	104	163	268	418	685
300	62	108	171	280	437	715
325	64	113	178	291	455	744
350	66	117	184	302	472	772
375	69	121	191	313	489	799
400	71	125	197	323	505	826
425	73	129	203	333	520	851
450	75	133	209	343	535	876
475	77	136	215	352	550	900
500	79	140	220	361	564	923
525	81	143	226	370	-	-
550	83	147	231	379	-	-
575	85	150	236	388	-	-
600	87	153	241	396	-	-
625	89	157	-	-	-	-
650	91	160	-	-	-	-
675	92	163	-	-	-	-
700	94	166	-	-	-	-
725	96	169	-	-	-	-
750	97	171	-	-	-	-
775	99	174	-	-	-	-
800	100	177	-	-	-	-
825	102	180	-	-	-	-
850	104	183	-	-	-	-
875	105	185	-	-	-	-
900	107	188	-	-	-	-
950	109	-	-	-	-	-
1000	112	-	-	-	-	-

#### METRIC UNITS M3/HR.

ORIFICE LETTER AREA (CM <sup>2</sup> )	D 0.8352	E 1.4721	F 2.3155	G 3.8001	H 5.9321	J 9.7058
<b>SET PRESSURE BARG</b>						
0.4*	2.0	3.6	5.6	9.2	14.4	23.6
0.8*	2.9	5.1	8.0	13.1	20.4	33.3
1.1	3.3	5.9	9.3	15.2	23.8	38.9
2	4.4	7.7	12.1	19.8	30.9	50.6
3	5.3	9.4	14.8	24.2	37.8	61.8
4	6.1	10.8	17.0	28.0	43.6	71.4
5	6.9	12.1	19.0	31.3	48.8	79.8
6	7.5	13.3	20.9	34.2	53.4	87.4
7	8.1	14.3	22.5	37.0	57.7	94.5
8	8.7	15.3	24.1	39.5	61.7	101.0
9	9.2	16.2	25.6	41.9	65.5	107.1
10	9.7	17.1	26.9	44.2	69.0	112.9
12	10.6	18.8	29.5	48.4	75.6	123.7
14	11.5	20.3	31.9	52.3	81.6	133.6
16	12.3	21.7	34.1	55.9	87.3	142.8
18	13.0	23.0	36.1	59.3	92.6	151.5
20	13.7	24.2	38.1	62.5	97.6	159.7
22	14.4	25.4	39.9	65.6	102.3	167.5
24	15.1	26.5	41.7	68.5	106.9	174.9
26	15.7	27.6	43.4	71.3	111.3	182.0
28	16.3	28.7	45.1	74.0	115.5	188.9
30	16.8	29.7	46.7	76.6	119.5	195.5
32	17.4	30.6	48.2	79.1	123.4	202.0
34	17.9	31.6	49.7	81.5	127.2	208.2
36	18.4	32.5	51.1	83.9	-	-
38	18.9	33.4	52.5	86.2	-	-
40	19.4	34.2	53.9	88.4	-	-
42	19.9	35.1	-	-	-	-
44	20.4	35.9	-	-	-	-
46	20.8	36.7	-	-	-	-
48	21.3	37.5	-	-	-	-
50	21.7	38.3	-	-	-	-
52	22.2	39.0	-	-	-	-
54	22.6	39.8	-	-	-	-
58	23.4	41.2	-	-	-	-
62	24.2	42.6	-	-	-	-
65	24.8	-	-	-	-	-
69	25.6	-	-	-	-	-

Maximum Set Pressure Limits for Liquid Service

510 Series - 300 psig/20.7 barg

520 Series - 1000 psig/68.9 barg

530 Series - 1000 psig/68.9 barg

540 Series - 1000 psig/68.9 barg

Note:

To determine water capacity at 25% overpressure, multiply the capacity at 10% by 1.066.

\*Pressure settings below 15 psig/1.03 barg are non-ASME code.

## EQUIVALENTS AND CONVERSION FACTORS

TO OBTAIN	MULTIPLY THIS	BY THIS
Atmospheres	Kilograms per sq. cm.	0.9678
Atmospheres	Pounds per sq. inch	0.068
Bar	Pounds per sq. inch	0.06895
Barrels	Cubic feet	0.1781
Bar	KiloPascals	0.01
Bar	Atmospheres	1.013
BTU/hr	Horsepower of boiler	33,479
BTU/hr	Kilowatts/hour	3,412
BTU/hr	MBH	1,000
BTU/hr	Pounds of steam/hour	1,000
BTU/hr	Watts/hour	3,412
Centimeters	Feet	30.48
Centimeters	Inches	2.54
Centimeters	Meters	100
Centipoise	SSU	0.2205 x SG
Centistoke	SSU	0.2162
Cubic centimeters	Cubic inches	16.39
Cubic centimeters	Gallons (U.S.)	3785
Cubic centimeters	Liters	1000
Cubic feet	Gallons (U.S.)	0.1337
Cubic feet	Liters	0.03531
Cubic feet per minute	Cubic meters per minute	35.31
Cubic feet per second	Gallons per minute	0.002228
Cubic inches	Gallons (U.S.)	231
Cubic inches	Gallons (Imperial)	277.4
Cubic meters per minute	Cubic feet per minute	0.02832
Cubic yards	Cubic centimeters	0.06102
Feet	Centimeters	0.03281
Feet	Inches	0.08333
Feet	Meters	3.281
Feet of water	Atmospheres	33.96
Feet of water (68°F)	Inches of mercury (0°C)	1.135
Feet of water (68°F)	Pounds per sq. inch	2.311
Gallons	Cubic feet	7.481
Gallons	Cubic inches	0.004329
Gallons	Cubic meters	264.2
Gallons	Liters	0.2642
Gallons (Imperial)	Gallons (U.S.)	0.8327
Gallons (U.S.)	Barrels	42
Gallons H2O @ 60°F (US)	Pounds	0.1199
Gallons per minute	Cubic feet per second	448.8
Gallons per minute	Cubic meters per hour	4.403
Gallons per minute	Liters per hour	0.004403
Gallons per minute liquid	Pounds per hour liquid	0.002/Sp.Gr.
Grams	Pounds	453.6
Inches	Centimeters	0.3937
Inches	Meters	39.97
Inches of mercury	Atmospheres	29.92
Inches of mercury	Kilograms per sq. cm	28.96
Inches of mercury (0°C)	Inches of water (68°F)	0.07343
Inches of mercury (0°C)	Feet of water (68°F)	0.8812
Inches of mercury (0°C)	Pounds per sq. inch	2.036
Inches of water	Atmospheres	407.5
Inches of water (68°F)	Pounds per sq. inch	27.73
Kilograms	Pounds	0.4536
Kilograms per hour	Pounds per hour	0.4536
Kilograms per hour	Gallons per minute (60°F)	227.0xSG
Kilograms per sq. cm	KiloPascals	0.0102
Kilograms per sq. cm	Inches of mercury (0°C)	0.03453
Kilograms per sq. cm	Bars	1.02
Kilograms per sq. cm.	Atmospheres	1.033
Kilograms per sq. cm.	Pounds per sq. inch	0.07031
KiloPascals	Pounds per sq. inch	6.895
KiloPascals	Atmospheres	101.3
KiloPascals	Bars	100
Liters	Gallons (U.S.)	3.785

TO OBTAIN	MULTIPLY THIS	BY THIS
Liters per minute	Gallons per minute	3.785
Liters per second	Gallons per minute	0.06309
M <sup>3</sup> /hr.	Gallons per minute	0.2271
Meters	Inches	0.0254
Meters	Centimeters	0.01
Meters	Feet	0.3048
Meters of water (68°F)	Pounds per sq. inch	0.7043
Metric tons	Pounds	0.0004536
Millimeters of mercury	Atmospheres	760
Millimeters of mercury (0°C)	Pounds per sq. inch	51.71
Molecular weight (of gas or vapors)	Specific gravity (of gas or vapors)	28.97
Nm <sup>3</sup> /day. (0°C, 1 Bara)	Standard cubic feet per min.	39.11
Nm <sup>3</sup> /hr. (0°C, 1 Bara)	Standard cubic feet per min.	1.63
Nm <sup>3</sup> /min. (0°C, 1 Bara)	Standard cubic feet per min.	0.02716
Ounces	Grams	0.03527
Ounces	Kilograms	35.27
Ounces	Pounds	16
Pounds	Gallons of water (60°F)	8.337
Pounds	Kilograms	2.205
Pounds	Water (cubic feet @ 60F)	62.37
Pounds per cubic foot	Kilograms per cubic meter	0.0624
Pounds per hour	Kilograms per minute	132.3
Pounds per hour liquid	Gallons of liquid per minute	500xSp. Gr.
Pounds per sq. in.	Inches of water (68°F)	0.03607
Pounds per sq. in.	Kilograms per sq. cm.	14.22
Pounds per sq. in.	KiloPascals	0.145
Pounds per square inch	Inches of mercury (0°C)	0.4912
Pounds per square inch	Atmospheres	14.7
Pounds per square inch	Bars	14.5
Pounds per square inch	Feet of water (68°F)	0.4328
PSI	MegaPascals	145.038
SCFM	Pounds per hour	6.324/M.W.
Short tons (2000 lb.)	Kilograms	0.001102
Short tons (2000 lb.)	Pounds	0.0005
Sm <sup>3</sup> /day.	Standard cubic feet per min.	40.78
Sm <sup>3</sup> /hr.	Standard cubic feet per min.	1.699
Sm <sup>3</sup> /min.	Standard cubic feet per min.	0.02832
Square centimeter	Square inch	6.4516
Square inch	Square centimeter	0.155
Square millimeter	Square inch	645.16
Standard cubic ft. per day	Standard cubic feet per min.	1440
Standard cubic ft. per hr	Standard cubic feet per min.	60
Yards	Centimeters	0.01094
Yards	Feet	0.3333
Yards	Inches	0.02778
Yards	Meters	1.094
Temperature:		
Centigrade	= 5/9 (Fahrenheit - 32)	
Kelvin	= Centigrade + 273	
Fahrenheit	= 9/5 (Centigrade) +32	
Fahrenheit	= Rankine - 460	
Fahrenheit	= (9/5 Kelvin) - 460	

## CORRECTION FACTORS

### AIR AND GAS TEMPERATURE

- To correct for temperatures other than 60°F at the valve inlet, multiply the SCFM from the capacity tables by factor  $K_t$ .

TEMP °F	$K_t$
0	1.063
10	1.052
20	1.041
30	1.030
40	1.020
50	1.010
60	1.000
70	0.991
80	0.981
90	0.972
100	0.964
120	0.947
140	0.931
160	0.916
180	0.901
200	0.888
220	0.874
240	0.862
260	0.850
280	0.838
300	0.827
320	0.816
340	0.806
360	0.796
380	0.787
400	0.778
420	0.769
440	0.760
460	0.752
480	0.744
500	0.737
550	0.718
600	0.701
650	0.685
700	0.669
750	0.656

### GAS AND LIQUID RELATIVE DENSITY

- To correct for a specific gravity other than air or water (=1.0) multiply the SCFM or GPM from the capacity tables by factor  $K_{sg}$ .

SPECIFIC GRAVITY	$K_{sg}$
0.10	3.160
0.20	2.240
0.30	1.825
0.40	1.580
0.50	1.414
0.55	1.350
0.60	1.290
0.65	1.240
0.70	1.195
0.75	1.155
0.80	1.117
0.90	1.085
0.95	1.025
1.00	1.00
1.05	0.975
1.10	0.955
1.15	0.933
1.20	0.913
1.25	0.913
1.30	0.877
1.40	0.845
1.50	0.817
1.60	0.791
1.70	0.768
1.80	0.745
1.90	0.725
2.00	0.707
2.50	0.633
3.00	0.577
3.50	0.535
4.00	0.500
4.50	0.471

SAFETY RELIEF VALVES