

## REGISTRATION OF A BOILER OR PRESSURE VESSEL DESIGN

27-Sep-22

TSSA  
345 Carlingview Drive  
Toronto, Ontario  
M9W 6N9

**Attention: Cecylia Garbacz**

**File Number: 63223 [ 0V]**

**Re: Manufacturer: Columbia Boiler Co.**  
**Item: CT Series Boiler**  
**Drawing Number: CT-1068 Rev. - & CT-1069 Rev. -**

TSASK Codes and Standards Compliance has registered the design listed above in accordance with The Boiler and Pressure Vessel Act and Regulations. The Canadian Registration Number (CRN) is:

**Z6564.23**

This item was registered with the following design conditions:

<b>MAWP:</b>	<b>1034 kPa</b>	<b>Design Temp:</b>	<b>170 °C</b>
<b>MDMT:</b>	<b>°C</b>	<b>Corrosion Allowance:</b>	<b>mm</b>

Please note that every piece of equipment must be constructed in strict accordance with the registered design.

In addition to stamping every unit with the CRN given, and as required in CSA B51, a Manufacturer's Data Report shall be forwarded to this office at the time the unit is shipped. The Manufacturer's Data Report form is available on the TSASK website at [www.tsask.ca](http://www.tsask.ca).

Should you require anything further, please do not hesitate to contact the Codes and Standards Compliance Office at your convenience.

Yours truly,

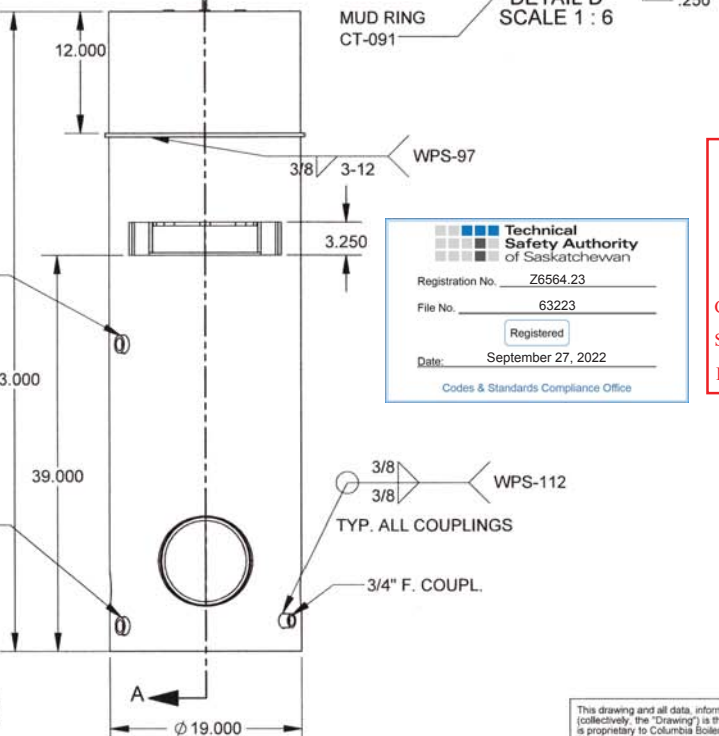
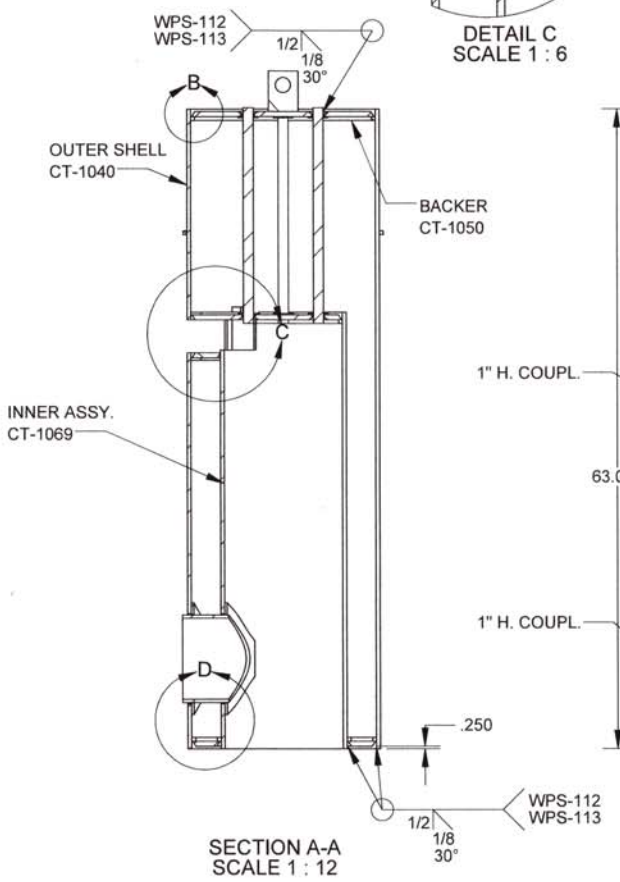
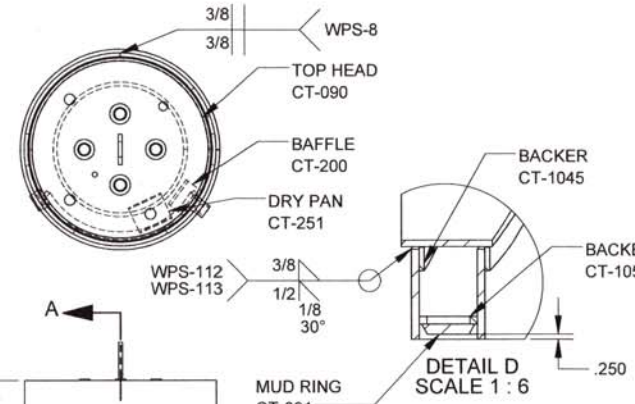
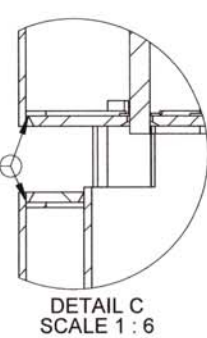
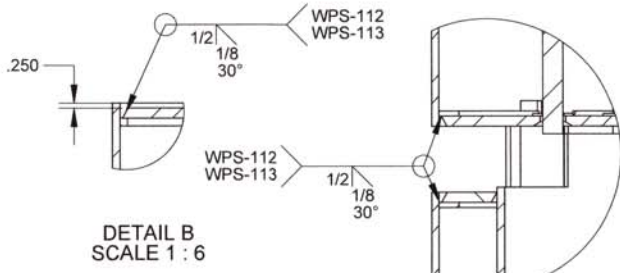


Athan Syrgiannis, P.Eng.  
Codes and Standards Compliance

**Remarks:**

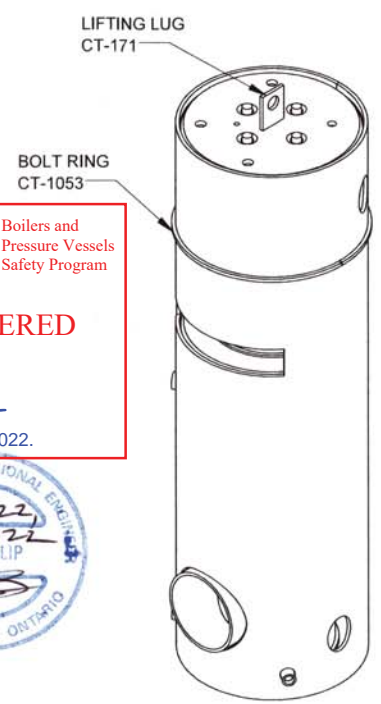
REVISIONS			
REV.	DESCRIPTION	DATE	BY

- NOTES:
- BUILT IN ACCORDANCE W. LATEST EDITION ASME SECTION I MAWP 150 PSI @ 338F. 328 LBS. STEAM/HR. 150 psi at saturated steam temperature
  - SEE CT-1070 FOR CALCULATIONS
  - SEE CT-833 FOR FITTING NOZZLE CALCS.
  - PWHT IN OVEN @ 1100°F FOR 1 HR.
  - HYDO TEST PRESSURE 225PSI
  - HEATING SURFACE 31.9 SQ. FT.
  - TOP HEAD 1/2" SA-285C
  - SHELL 3/8" SA-285C
  - BLAST TUBE 8" SCH. 40 PIPE SA-106B
  - COUPLINGS SA-105 CLASS 3000
  - ALL BUTT WELDS TO BE FULL PENETRATION AND 100% X-RAYED



Technical Safety Authority of Saskatchewan  
 Registration No. Z6564.23  
 File No. 63223  
 Registered  
 Date: September 27, 2022  
 Codes & Standards Compliance Office

Technical Standards and Safety Authority  
**REGISTERED**  
 C.R.N.: Z6564.25  
 Signed: *Randy*  
 Date: June 21, 2022.



This drawing and all data, information and designs shown hereon (collectively, the "Drawing") is the property and a trade secret of and is proprietary to Columbia Boiler Co.  
 The Drawing is conditionally loaned to the recipient and is to be returned forthwith to Columbia Boiler Co. upon request. The Drawing is to be kept secret and confidential by the recipient and may not be used, copied transmitted or furnished to any other person, or entity, for any purpose whatsoever, without the prior express written consent of Columbia Boiler Co.

COLUMBIA BOILER CO.			
CT-10 SLIM OUTER ASSEMBLY	DRW BY EVS	DATE 08/15/18	CHECK BY
MATERIAL	SCALE 1:12	DWG NO.	REV.
REF PART	PART NO.	CT-1068	---

- NOTES:
1. CROWN, THROAT, THROAT BLOCKS 1/2" SA-285C
  2. FURNACE, 3/8" SA-285C
  3. STAYS, 1" DIA SA-36
  4. BACKERS SA-36

**Technical Safety Authority of Saskatchewan**

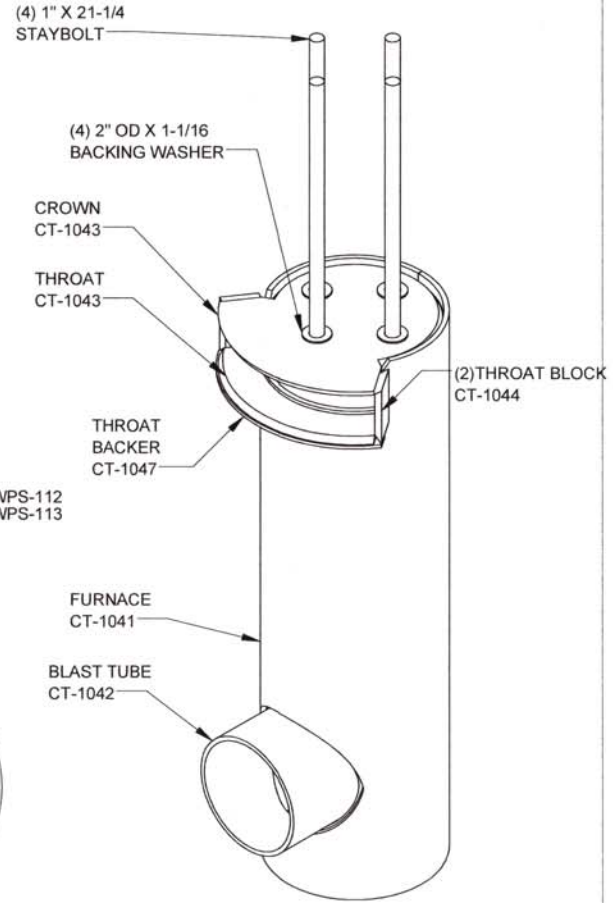
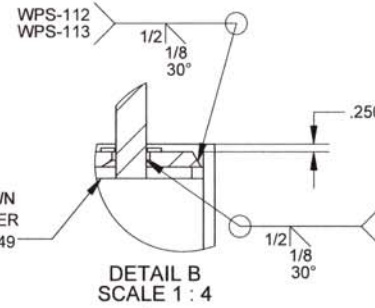
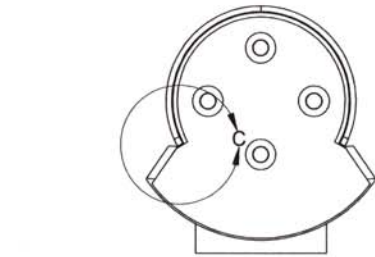
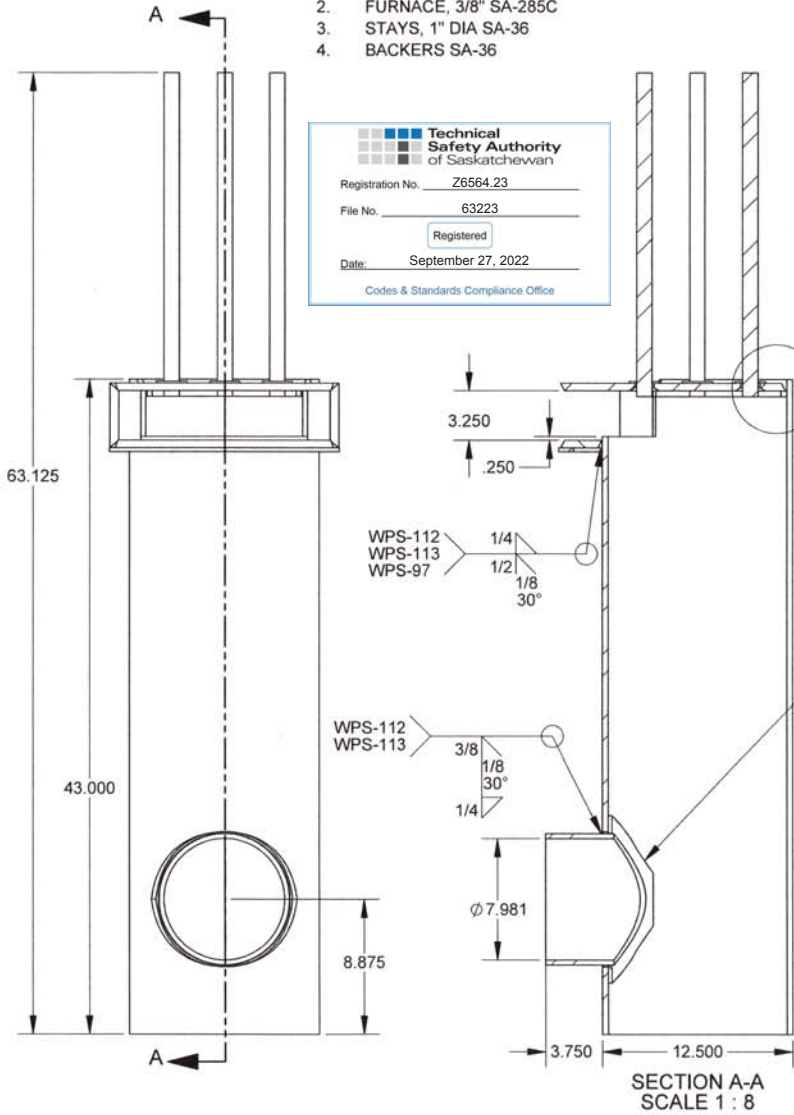
Registration No. Z6564.23

File No. 63223

Registered

Date: September 27, 2022

Codes & Standards Compliance Office



REVISIONS			
REV.	DESCRIPTION	DATE	BY



THIS IS PART OF CRN  
Z6564.23  
Technical Standards and Safety Authority  
Boilers and Pressure Vessels Safety  
Program

This drawing and all data, information and designs shown hereon (collectively, the "Drawing") is the property and a trade secret of and is proprietary to Columbia Boiler Co.  
The Drawing is conditionally loaned to the recipient and is to be returned forthwith to Columbia Boiler Co. upon request. The Drawing is to be kept secret and confidential by the recipient and may not be used, copied, transmitted or furnished to any other person, or entity, for any purpose whatsoever, without the prior express written consent of Columbia Boiler Co.

<b>COLUMBIA BOILER CO.</b>			
<b>CT-10 SLIM INNER ASSEMBLY</b>	DRW BY: <b>EVS</b>	DATE: <b>08/15/18</b>	CHKD BY: <b>-</b>
MATERIAL: <b>---</b>	SCALE: <b>1:8</b>	TWO NO.:	REV.:
REF PART: <b>-</b>	PART NO.:	<b>CT-1069</b>	<b>---</b>