



345 Carlingview Drive
Toronto, Ontario
CANADA M9W 6N9
Tel.: 416.734.3300
Fax.: 416.231.1626
Toll Free: 1.877.682.8772
www.tssa.org

December 05, 2017

SCOTT ISLIP
ROUND ENGINEERING INC
10 SEGWUN RD
WATERDOWN ON L8B 0K6
CA

Service Request Type.: BPV-National AB
Service Request No.: 2180096
Your Reference No.: EH-CRN-25
Registered to.: ENDRESS + HAUSER CONDUCTA INC

Dear SCOTT ISLIP,

Please find enclosed the original response from AB, registered under the CRN No.: 0F19699.52.

As all jurisdictional fees are handled by the Technical Standards and Safety Authority (TSSA), you do not pay any jurisdictions directly.

Should you have any questions or require further assistance, I will be happy to assist you.
For general enquiries, please contact a Customer Service Advisor at 1.877.682.TSSA (8772) or e-mail customerservices@tssa.org. When contacting TSSA regarding this file, please refer to the Service Request number provided above.

Yours truly,

Tanya Francis
Administrative Assistant_ BPV Engineering
Tel. : 416-734-3423
Fax : 416-231-6183
Email : tfrancis@tssa.org

November 16, 2017

Attention: Tanya Francis
TECHNICAL STANDARDS & SAFETY AUTHORITY
345 CARLINGVIEW DRIVE
TORONTO, ON M9W 6N9

Email: tfrancis@tssa.org

The design submission, tracking number 2017-06818, originally received on October 27, 2017 was surveyed and accepted for registration as follows:

CRN : 0F19699.52 **Accepted on:** November 16, 2017
Reg Type: NEW DESIGN **Expiry Date:** October 03, 2027
Drawing No. : MEMOSENS COS81D OXYGEN SENSOR As Noted
Fitting type: SENSOR
Design registered in the name of : ENDRESS + HAUSER CONDUCTA INC

Description	MAWP	Design Temperature
See scope for rating		

The registration is conditional on your compliance with the following notes:

As indicated on AB-41 Statutory Declaration form and submitted documentation, the code of construction are ASME B31.1 and ASME B31.3.

This registration is valid only for fittings fabricated at the location(s) covered by the QC certificate attached to the accepted AB-41 Statutory Declaration form.

This registration is valid only until the indicated expiry date and only if the Manufacturer maintains a valid quality management system approved by an acceptable third-party agency until that date.

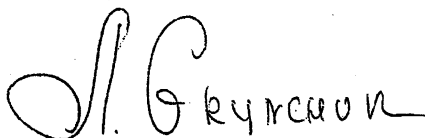
Should the approval of the quality management system lapse before the expiry date indicated above, this registration shall become void.

For the boiler external piping only listed in B31.1 materials can be used.

An invoice covering survey and registration fees will be forwarded from our Revenue Accounts.

Enclosed are stamped prints for your reference.

Sincerely,



GRYNCHUK, MILLA, P. Eng.
DOP Cert. No. D00005217

STATUTORY DECLARATION Registration of Fittings

I, MIKE YOURSKI, QUALITY MANAGER of ENDRESS+HAUSER CONDUCTA INC. located at 4123 LA PALMA AVE., ANAHEIM, CA, USA, 92807



do solemnly declare that the fittings listed hereunder, which are subject to the Safety Codes Act (check one)

- comply with the requirements of ASME B31.3, ASME B31.1 which specifies the dimensions, materials of construction, pressure/temperature ratings and identification marking of the fittings, or are not covered by the provisions of a recognized North American standard and are therefore manufactured to comply with as supported by the attached data which identifies the dimensions, materials of construction, pressure/temperature ratings and the basis for such ratings, and the marking of the fittings for identification.

I further declare that the manufacture of these fittings is controlled by a quality control program which has been verified by the following authority, SQS (ISO 9001:2008) as being suitable for the manufacture of these fittings to the stated standard. The fittings covered by this declaration, for which I seek registration, are

CATEGORY F (brief description of fittings)

In support of this application, the following information, calculations and/or test data are attached:

DRAWINGS, CALCULATIONS, REPORTS, SCOPE OF CRN

DECLARED before me at in the of this day of (Month), (Year) (city) (province or state)

(print) (a Commissioner of Oaths or Notary Public) (sign) See attached acknowledgment Michael Yourski (signature of applicant)

For ABSA Office Use Only:

NOTES:

To the best of my knowledge and belief, the application meets the requirements of the Safety Codes Act and CSA Standard B51, Clause 4.2 and is accepted for registration in Category F

Registration Number: OF 19699.52 (Signature of the Administrator/SCO)

Date Registered: NOV 16 2017 Expiry Date: 07 Oct. 03

CALIFORNIA ALL- PURPOSE CERTIFICATE OF ACKNOWLEDGMENT

A notary public or other officer completing this certificate verifies only the identity of the individual who signed the document to which this certificate is attached, and not the truthfulness, accuracy, or validity of that document.

State of California }

County of Orange }

On September 8, 2017 before me, Laurel Boles,
(Here insert name and title of the officer)

personally appeared Michael Youroski,
who proved to me on the basis of satisfactory evidence to be the person(s) whose name(s) (s) are subscribed to the within instrument and acknowledged to me that (he) she/they executed the same in (his) her/their authorized capacity(ies), and that by (his) her/their signature(s) on the instrument the person(s), or the entity upon behalf of which the person(s) acted, executed the instrument.

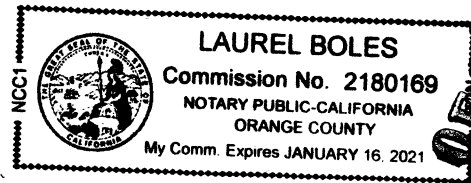
I certify under PENALTY OF PERJURY under the laws of the State of California that the foregoing paragraph is true and correct.

WITNESS my hand and official seal.

Laurel Boles

Notary Public Signature

(Notary Public Seal)



ADDITIONAL OPTIONAL INFORMATION

DESCRIPTION OF THE ATTACHED DOCUMENT

Alberta Statutory Declaration

(Title or description of attached document)

Registration of Fittings

(Title or description of attached document continued)

Number of Pages 1 Document Date 09/08/2017

CAPACITY CLAIMED BY THE SIGNER

- Individual (s)
 Corporate Officer

(Title)

- Partner(s)
 Attorney-in-Fact
 Trustee(s)
 Other _____

INSTRUCTIONS FOR COMPLETING THIS FORM

This form complies with current California statutes regarding notary wording and, if needed, should be completed and attached to the document. Acknowledgments from other states may be completed for documents being sent to that state so long as the wording does not require the California notary to violate California notary law.

- State and County information must be the State and County where the document signer(s) personally appeared before the notary public for acknowledgment.
- Date of notarization must be the date that the signer(s) personally appeared which must also be the same date the acknowledgment is completed.
- The notary public must print his or her name as it appears within his or her commission followed by a comma and then your title (notary public).
- Print the name(s) of document signer(s) who personally appear at the time of notarization.
- Indicate the correct singular or plural forms by crossing off incorrect forms (i.e. ~~he/she/they~~, is /are) or circling the correct forms. Failure to correctly indicate this information may lead to rejection of document recording.
- The notary seal impression must be clear and photographically reproducible. Impression must not cover text or lines. If seal impression smudges, re-seal if a sufficient area permits, otherwise complete a different acknowledgment form.
- Signature of the notary public must match the signature on file with the office of the county clerk.
 - ❖ Additional information is not required but could help to ensure this acknowledgment is not misused or attached to a different document.
 - ❖ Indicate title or type of attached document, number of pages and date.
 - ❖ Indicate the capacity claimed by the signer. If the claimed capacity is a corporate officer, indicate the title (i.e. CEO, CFO, Secretary).
- Securely attach this document to the signed document with a staple.

ENDRESS+HAUSER CONDUCTA INC.
 4123 LA PALMA AVE.
 ANAHEIM, CA
 92807, USA

07-Sep-17

SCOPE OF CRN REGISTRATION

PRODUCT DESCRIPTION

Description	Design Standard	End Connections	EH TI Document
Memosens COS81D Oxygen Sensor	ASME B31.3, ASME B31.1	PG13.5	EH TI Document ASME B31.3 1912016/07/EN/04 ADVERTA SAFETY CODES ACT 1987/EN/04 ADVERTA

PRESSURE - TEMPERATURE RATINGS

MDMT	MAWP AT 230 F	MAWP AT 284 F	REGISTRATION OF FITTINGS
14F	188 psia	87 psia	REGISTRATION NO. OF 19699.52 MEMOSENS COS 81D None TYPE OF FITTINGS <i>sensor</i>

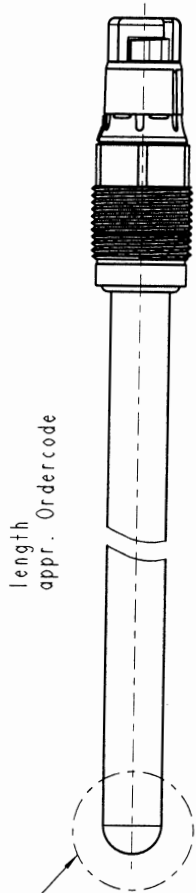
MATERIALS OF CONSTRUCTION

STANDARD MATERIALS (NOTE 1)	Date	INITIALS
POLYPHENYLENE SULFIDE PLASTIC, STAINLESS STEEL 1.4435 TYPE 316L UNS S31603	NOV 16 2017	<i>[Signature]</i> MILLA GRYNCHUK, P.Eng. DESIGN SURVEY ENGINEER
		None

MANUFACTURING LOCATIONS

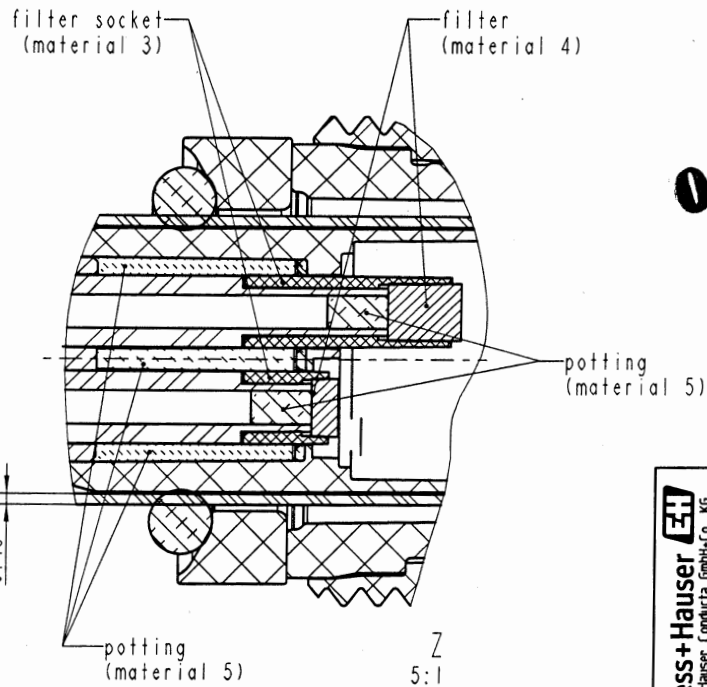
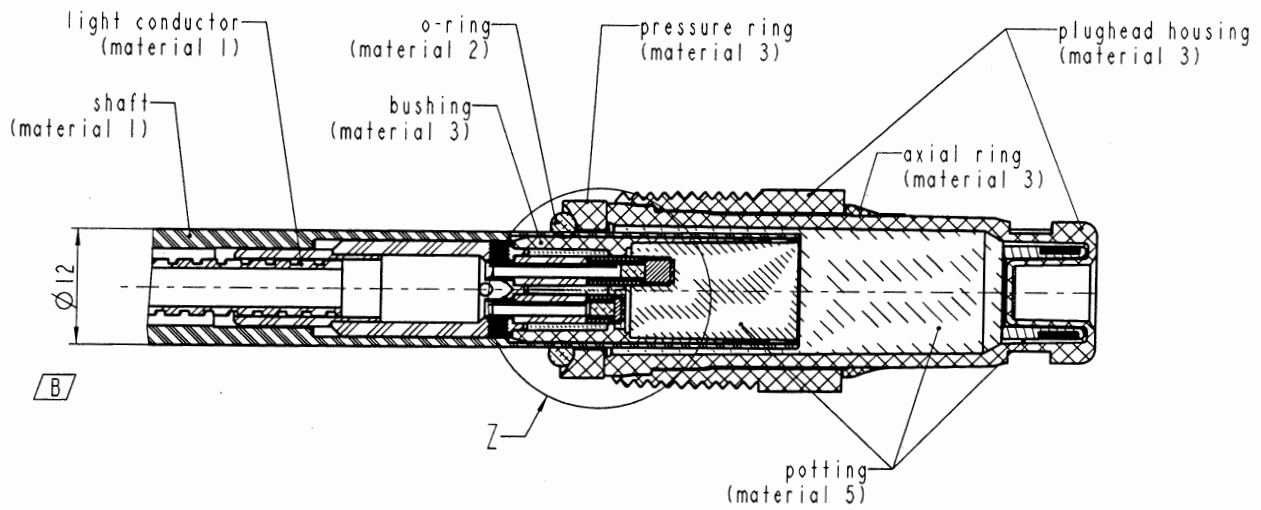
Endress+Hauser Conducta 70839 Gerlingen incl. manufacturing sites 04736 Waldheim and 64823 Gross-Umstadt, Germany	Endress+Hauser Conducta 215021 Suzhou, Endress+Hauser Analytical Instruments Suzhou Co. Ltd. P.R. China
Endress+Hauser Conducta 4123 LA Palma Ave., Anaheim, CA 92807, USA	

Note 1) The following additional alloys of superior or equivalent properties to those listed above are also included in the scope of registration:
 Type 304 S.Steel UNS S30400, Type 304L S.Steel UNS S30403, Type 316 S.Steel UNS S31600, Type 316L S.Steel UNS S31603,
 Alloy 20 UNS N08020, Hastelloy C-276 UNS N10276, Hastelloy C22 UNS N06022, Hastelloy B3 UNS N10676, Monel 400 UNS N04400
 (Note Monel 400 limited to 100F max.), Inconel 600 UNS N06600, Inconel 625 UNS N06625, Inconel 825 UNS N08825, Duplex S.Steel UNS S31803,
 Super Duplex UNS S32750, Super Duplex UNS S32760, Titanium Grade 3 UNS R50550 (Note Titanium limited to 247F max.)



length
appr. Ordercode

type varies depending
on variant



OF 19699.52

materials	
material 1	stainless steel
material 2	elastomer
material 3	plastics
material 4	glass
material 5	epoxy encapsulant

<p>Endress+Hauser Conductivity Division Datteln, Germany</p>	Refer to protection notice ISO 16016 Classification:		Scale 2:1	Tolerance -
	Title Manufacturing drawing COS8XD CRN		Notif. no. 0	Designed 2017-05-09 BlochwitzS
	Manufacturing drawing COS8XD CRN	Number of changes 0	Welding contr.	Approval contr.
	Project	Status Production Released	Pressure contr.	Released 2017-08-01 VettermannJ
	Material	No. of document 414165	Version B	Doc. part -
	Weight	Volume		
	SAP material no. variabel	Format A3	Page 1 of 1	